

# CD Radio Cassette-Corder

## Owner's Record

The model number is located at the bottom and the serial number is located in the battery compartment. Record these numbers in the space provided below. Refer to them whenever you call upon your Sony dealer regarding this product.

Model No. CFD-S05  
Serial No. \_\_\_\_\_

## CFD-S05

©2010 Sony Corporation Printed in China

## Operating Instructions

<http://www.sony.net/>

## WARNING

### To reduce the risk of fire or electric shock, do not expose this apparatus to rain or moisture.

To reduce the risk of fire, do not cover the ventilation of the apparatus with newspapers, tablecloths, curtains, etc. And do not place lighted candles on the apparatus.

To reduce the risk of fire or electric shock, do not expose this apparatus to dripping or splashing, and do not place objects filled with liquids, such as vases, on the apparatus.

As the main plug is used to disconnect the unit from the mains, connect the unit to an easily accessible AC outlet. Should you notice an abnormality in the unit, disconnect the main plug from the AC outlet immediately.

The unit is not disconnected from the AC power source (mains) as long as it is connected to the wall outlet, even if the unit itself has been turned off.

Do not install the appliance in a confined space, such as a bookcase or built-in cabinet.

Do not expose the batteries (battery pack or batteries installed) to excessive heat such as sunshine, fire or the like for a long time.

The nameplate and important information concerning safety are located on the bottom exterior.

### Note on DualDiscs

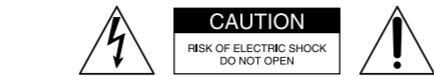
A DualDisc is a two sided disc product which mates DVD recorded material on one side with digital audio material on the other side. However, since the audio material side does not conform to the Compact Disc (CD) standard, playback on this product is not guaranteed.

### Music discs encoded with copyright protection technologies

This product is designed to playback discs that conform to the Compact Disc (CD) standard. Recently, various music discs encoded with copyright protection technologies are marketed by some record companies. Please be aware that among those discs, there are some that do not conform to the CD standard and may not be playable by this product.

## CAUTION

The use of optical instruments with this product will increase eye hazard.



This symbol is intended to alert the user to the presence of uninsulated "dangerous voltage" within the product's enclosure that may be of sufficient magnitude to constitute a risk of electric shock to persons.

This symbol is intended to alert the user to the presence of important operating and maintenance (servicing) instructions in the literature accompanying the appliance.

## NOTE

This equipment has been tested and found to comply with the limits for a Class B digital device, pursuant to Part 15 of the FCC Rules. These limits are designed to provide reasonable protection against harmful interference in a residential installation. This equipment generates, uses, and can radiate radio frequency energy and, if not installed and used in accordance with the instructions, may cause harmful interference to radio communications. However, there is no guarantee that interference will not occur in a particular installation. If this equipment does cause harmful interference to radio or television reception, which can be determined by turning the equipment off and on, the user is encouraged to try to correct the interference by one or more of the following measures:

- Reorient or relocate the receiving antenna.
- Increase the separation between the equipment and receiver.
- Connect the equipment into an outlet on a circuit different from that to which the receiver is connected.
- Consult the dealer or an experienced radio/TV technician for help.

## CAUTION

You are cautioned that any changes or modifications not expressly approved in this manual could void your authority to operate this equipment.

### For customers in the USA

Please register this product on line at <http://www.sony.com/productregistration> Proper registration will enable us to send you periodic mailings about new product, services and other important announcements. Registering your product will also allow us to contact you in the unlikely event that the product needs adjustment or modification. Thank you.

## Important Safety Instructions

- 1) Read these instructions.
- 2) Keep these instructions.
- 3) Heed all warnings.
- 4) Follow all instructions.
- 5) Do not use this apparatus near water.
- 6) Clean only with dry cloth.
- 7) Do not block any ventilation openings. Install in accordance with the manufacturer's instructions.
- 8) Do not install near any heat sources such as radiators, heat registers, stoves, or other apparatus (including amplifiers) that produce heat.
- 9) Do not defeat the safety purpose of the polarized or grounding-type plug. A polarized plug has two blades with one wider than the other. A grounding type plug has two blades and a third grounding prong. The wide blade or the third prong are provided for your safety. If the provided plug does not fit into your outlet, consult an electrician for replacement of the obsolete outlet.
- 10) Protect the power cord from being walked on or pinched particularly at plugs, convenience receptacles, and the point where they exit from the apparatus.
- 11) Only use attachments/accessories specified by the manufacturer.
- 12) Use only with the cart, stand, tripod, bracket, or table specified by the manufacturer, or sold with the apparatus. When a cart is used, use caution when moving the cart/apparatus combination to avoid injury from tip-over.



- 13) Unplug this apparatus during lightning storms or when unused for long periods of time.
- 14) Refer all servicing to qualified service personnel. Servicing is required when the apparatus has been damaged in any way, such as power-supply cord or plug is damaged, liquid has been spilled or objects have fallen into the apparatus, the apparatus has been exposed to rain or moisture, does not operate normally, or has been dropped.

## Specifications

### AUDIO POWER SPECIFICATIONS

POWER OUTPUT AND TOTAL HARMONIC DISTORTION  
With 4-ohm loads, both channels driven from 150 Hz - 10,000 Hz; rated 1 W per channel-minimum RMS power, with no more than 10 % total harmonic distortion in AC operation.

### Other specifications

#### CD player section

System  
Compact disc digital audio system  
Laser diode properties  
Emission duration: Continuous  
Laser output: Less than 44.6 μW  
(This output is the value measured at a distance of about 200 mm from the objective lens surface on the optical pick-up block with 7 mm aperture.)  
Number of channels  
2  
Frequency response  
20 Hz - 20,000 Hz +1/-2 dB  
Wow and flutter  
Below measurable limit

#### Radio section

Frequency range  
FM: 87.5 MHz - 108 MHz  
AM: 530 kHz - 1,710 kHz  
Antennas  
FM: Telescopic antenna  
AM: Built-in ferrite bar antenna

#### Cassette-corder section

Recording system  
4-track 2 channel stereo  
Fast winding time  
Approx. 150 s (sec.) with Sony cassette C-60  
Frequency response  
TYPE 1 (normal): 80 Hz - 10,000 Hz

#### General

Speaker  
Full range: 8 cm (3 1/4 inches) dia., 4 Ω, cone type (2)  
Outputs  
Headphones jack (stereo minijack):  
For 16 Ω - 32 Ω impedance headphones  
Input  
AUDIO IN jack (stereo minijack)  
Power output  
1.7 W + 1.7 W (at 4 Ω, 10% harmonic distortion)  
Power requirements  
For CD radio cassette-corder:  
120 V AC, 60 Hz  
9 V DC, 6 R14 (size C) batteries  
Power consumption  
AC 13 W  
Battery life  
For CD radio cassette-corder:

FM recording
Sony R14P: approx. 4.5 h
Sony alkaline LR14: approx. 19 h
Tape playback
Sony R14P: approx. 2.5 h
Sony alkaline LR14: approx. 13 h
CD playback
Sony R14P: approx. 1 h
Sony alkaline LR14: approx. 8 h

Dimensions  
Approx. 365 mm × 134 mm × 230 mm (w/h/d)  
(14 1/8 inches × 5 3/8 inches × 9 1/8 inches) (incl. projecting parts)  
Mass  
Approx. 2.7 kg (5 lb. 15 oz) (incl. batteries)  
Supplied accessory  
AC power cord (1)

Design and specifications are subject to change without notice.

#### Optional accessory

Sony MDR headphones series

## Precautions

### Discs that this unit CAN play

- Audio CD
- CD-R/CD-RW (CD-DA\*)
- \* CD-DA is the abbreviation for Compact Disc Digital Audio. It is a recording standard used for Audio CDs.

### Discs that this unit CANNOT play

- CD-R/CD-RW other than those recorded in music CD format
- CD-R/CD-RW of poor recording quality, CD-R/CD-RW that has scratches or are dirty, or CD-R/CD-RW recorded with an incompatible recording device
- CD-R/CD-RW which is finalized incorrectly

### Notes on discs

- Before playing, clean the CD with a cleaning cloth. Wipe the CD from the center out. If there is a scratch, dirt or fingerprints on the CD, it may cause tracking error.



- Do not use solvents such as benzine, thinner, commercially available cleaners or anti-static spray intended for vinyl LPs.
- Do not expose the CD to direct sunlight or heat sources such as hot air ducts, nor leave it in a car parked in direct sunlight as there can be a considerable rise in temperature inside the car.
- Do not stick paper or sticker on the CD, nor scratch the surface of the CD.
- After playing, store the CD in its case.

### On safety

- As the laser beam used in the CD player section is harmful to the eyes, do not attempt to disassemble the casing. Refer servicing to qualified personnel only.
- Should any solid object or liquid fall into the unit, unplug the unit, and have it checked by qualified personnel before operating it any further.
- Discs with non-standard shapes (e.g., heart, square, star) cannot be played on this unit. Attempting to do so may damage the unit. Do not use such discs.

### On power sources

- For AC operation, use the supplied AC power cord; do not use any other type.
- Unplug the unit from the wall outlet when it is not to be used for an extended period of time.
- When the batteries are not to be used, remove them to avoid damage that can be caused by battery leakage or corrosion.

### On placement

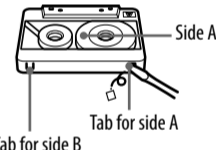
- Do not leave the unit in a location near heat sources, in a place subject to direct sunlight, excessive dust or mechanical shock or in a car subject to the direct rays of the sun.
- Do not place the unit on an inclined or unstable place.
- Do not place anything within 10 mm of the side of the cabinet. The ventilation holes must be unobstructed for the unit to operate properly and prolong the life of its components.
- Since a strong magnet is used for the speakers, keep personal credit cards using magnetic coding or spring-wound watches away from the unit to prevent possible damage from the magnet.

### On operation

- If the unit is brought directly from a cold to a warm location, or is placed in a very damp room, moisture may condense on the lens inside the CD player section. Should this occur, the unit will not operate properly. In this case, remove the CD and wait about an hour for the moisture to evaporate.
- If the unit has not been used for a long time, set it in the playback mode to warm it up for a few minutes before inserting a cassette.

### Notes on cassettes

- Break off the cassette tab from side A or B to prevent accidental recording. If you want to reuse the tape for recording, cover the broken tab with adhesive tape.



- The use of a cassette with more than 90 minutes of play time is not recommended except for long, continuous recording or playback.

### Cleaning the cabinet

- Clean the cabinet, panel and controls with a soft cloth slightly moistened with a mild detergent solution. Do not use any type of abrasive pad, scouring powder, or solvent, such as alcohol or benzine.

If you have any questions or problems concerning your unit, please consult your nearest Sony dealer.

## LIMITED WARRANTY (U.S. Only)

Sony Electronics Inc. ("Sony") warrants this product against defects in material or workmanship for the time periods and as set forth below. Pursuant to this Limited Warranty, Sony will, at its option, (i) repair the product using new or refurbished parts or (ii) replace the product with a new or refurbished product. For purposes of this Limited Warranty, "refurbished" means a product or part that has been returned to its original specifications. **In the event of a defect, these are your exclusive remedies.**

**Labor:** For a period of ninety (90) days from the original date of purchase of the product ("Labor Warranty"), Sony will, at its option, repair or replace with new or refurbished product, product determined to be defective. If Sony elects to replace the product after this Labor Warranty has expired but while the Parts Warranty below is still in effect, it will do so for the applicable labor charge.

**Parts:** For a period of one (1) year from the original date of purchase of product ("Parts Warranty"), Sony will supply new or refurbished replacement parts in exchange for parts determined to be defective.

This Limited Warranty covers only the hardware components packaged with the Product. It does not cover technical assistance for hardware or software usage and it does not cover any software products whether or not contained in the Product; any such software is provided "AS IS" unless expressly provided for in any enclosed software Limited Warranty. Please refer to the End User License Agreements included with the Product for your rights and obligations with respect to the software.

**Instructions:** To obtain warranty service, you must deliver the product, freight prepaid, in either its original packaging or packaging affording an equal degree of protection to the Sony authorized service facility specified. **It is your responsibility to backup any data, software or other materials you may have stored or preserved on your unit. It is likely that such data, software, or other materials will be lost or reformatted during service and Sony will not be responsible for any such damage or loss.** A dated purchase receipt is required. For specific instructions on how to obtain warranty service for your product,

Visit Sony's Web Site:  
[www.sony.com/service](http://www.sony.com/service)

Or call the **Sony Customer Information Service Center**  
**1-800-222-SONY (7669)**

For an accessory or part not available from your authorized dealer, call:

1-800-488-SONY (7669)

**Repair / Replacement Warranty:** This Limited Warranty shall apply to any repair, replacement part or replacement product for the remainder of the original Limited Warranty period or for ninety (90) days, whichever is longer. Any parts or product replaced under this Limited Warranty will become the property of Sony.

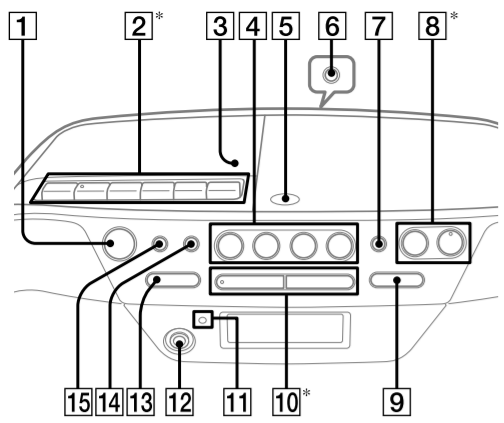
This Limited Warranty only covers product issues caused by defects in material or workmanship during ordinary consumer use; it does not cover product issues caused by any other reason, including but not limited to product issues due to commercial use, acts of God, misuse, limitations of technology, or modification of or to any part of the Sony product. This Limited Warranty does not cover Sony products sold AS IS or WITH ALL FAULTS or consumables (such as fuses or batteries). This Limited Warranty is invalid if the factory-applied serial number has been altered or removed from the product. This Limited Warranty is valid only in the United States.

**LIMITATION ON DAMAGES:** SONY SHALL NOT BE LIABLE FOR ANY INCIDENTAL OR CONSEQUENTIAL DAMAGES FOR BREACH OF ANY EXPRESS OR IMPLIED WARRANTY ON THIS PRODUCT.

**DURATION OF IMPLIED WARRANTIES:** EXCEPT TO THE EXTENT PROHIBITED BY APPLICABLE LAW, ANY IMPLIED WARRANTY OF MERCHANTABILITY OR FITNESS FOR A PARTICULAR PURPOSE ON THIS PRODUCT IS LIMITED IN DURATION TO THE DURATION OF THIS WARRANTY.

Some states do not allow the exclusion or limitation of incidental or consequential damages, or allow limitations on how long an implied warranty lasts, so the above limitations or exclusions may not apply to you. This Limited Warranty gives you specific legal rights and you may have other rights which vary from state to state.

## Basic Operations



\* VOLUME + [8], ►|| [10] and ► [2] have a tactile dot.

### Before using the unit

#### To turn on/off the power

Press POWER [1].


#### Note

When turning on the power, hold down POWER [1] until OPR/BATT indicator [11] lights up.

#### To adjust the volume

Press VOLUME +, – [8].

#### To listen through headphones

Connect the headphones to the  (headphones) jack [6] on the back of the unit.

#### To reinforce the bass sound

Press MEGA BASS [7].

“MEGA BASS” appears in the display.

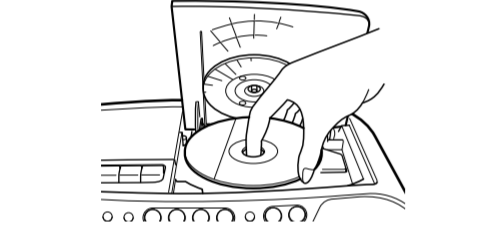
To return to normal sound, press the button again.

### Playing a CD

1 Press POWER [1].

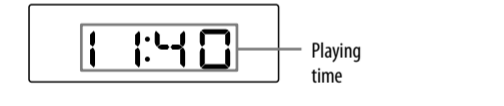
2 Press CD [4].

3 Press ▲ PUSH OPEN/CLOSE [5] and place a disc with the label side up on the CD compartment. To close the CD compartment, press ▲ PUSH OPEN/CLOSE [5].



4 Press ►|| [10].

The unit plays all the tracks once.



To	Press
Pause playback	►   [10]. To resume play, press it again.
Stop playback	■ [10].
Go to the next track	►► [9].
Go back to the previous track	◄◄ [9].
Locate a point while listening to the sound	►► (forward) or ◄◄ (backward) [9] during playback and hold it until you find the point.
Locate a point while observing the display	►► (forward) or ◄◄ (backward) [9] in pause and hold it until you find the point then press ►   [10].
Remove the CD	▲ PUSH OPEN/CLOSE [5].

#### Tips

- Playback starts from the track you last stopped playing (Resume play). During stop, the track number to be played is displayed.
- To cancel the resume play (to start play from the beginning of the first track), press ■ [10] while the CD is stopped. When you open the CD compartment or turn off the unit, the resume play is also canceled.

### Listening to the radio

1 Press POWER [1].

2 Press RADIO BAND [4] repeatedly.

Each time you press the button, the radio band toggles between AM and FM.

3 Hold down TUNE + or – [13] until the frequency digits begin to change in the display.

The unit automatically scans the radio frequencies and stops when it finds a clear station.

If you cannot tune in a station, press TUNE + or – [13] repeatedly to change the frequency step by step.

When an FM stereo broadcast is received, “St” appears.

#### Tip

If an FM broadcast is noisy, changing the current status to monaural usually reduces the noise.

1 Press MODE [15].

“St” or “Mo” appears.

2 While “St” is displayed, press MODE [15] to display “Mo.”

## Other Operations

### Using the display

#### To check the total track number and playing time of the CD

Press ■ [10] once if the CD is stopped and twice if the CD is playing. After the total track number is displayed, the total playing time is displayed. To check the total track number again, press DISPLAY/ENTER [14].

#### To check the current track number of the CD

Press DISPLAY/ENTER [14] while playing a CD.

#### To check the current preset station number of the radio

Press DISPLAY/ENTER [14] when you are listening to a preset station.

### Selecting a CD play mode

Press MODE [15] (press ■ [10], then press MODE [15] during playback) until “◄ 1”, “◄”, “SHUF”, “SHUF” and “◄”, “PGM”, or “PGM” and “◄” appear in the display.

Then proceed as follows:

To Select	Select	Then do this
Repeat a single track	“◄ 1”	Press ◄◄ or ►► [9] to select the track that you want to repeat, then press ►   [10].
Repeat all tracks	“◄”	Press ►   [10].
Shuffle play	“SHUF”	Press ►   [10].
Repeat tracks in random order	“SHUF” and “◄”	Press ►   [10].
Program play	“PGM”	Press ◄◄ or ►► [9], then press DISPLAY/ENTER [14] for the tracks you want to program in the order you want up to 20 tracks. Then press ►   [10].
Repeat programmed tracks	“PGM” and “◄”	Press ◄◄ or ►► [9], then press DISPLAY/ENTER [14] for the tracks you want to program in the order you want up to 20 tracks. Then Press ►   [10].

**To cancel the selected play mode**  
Press MODE [15] (press ■ [10], then press MODE [15] during playback) repeatedly until the selected mode disappears from the display.

#### To check the programed track and playing order in the display

To check the order of tracks before playing, press DISPLAY/ENTER [14] (press ■ [10], then press DISPLAY/ENTER [14] during playback).

Every time you press the button, the track number appears in the programmed order.

#### To change the current program

Press ■ [10] once if the CD is stopped and twice if the CD is playing. The current program will be erased. Then create a new program following the programming procedure.

#### Tips

- If you try to program 21 tracks or more, “FULL” will appear in the display.
- You can play the same program again, since the program is saved until you open the CD compartment.
- You can record your own program. After you have created the program, insert a blank tape and press ● [2] to start recording.
- The resume function does not work during shuffle play or program play.

### Presetting radio stations

You can store radio stations into the unit’s memory. You can preset up to 30 radio stations, 20 for FM and 10 for AM in any order.

1 Press POWER [1].

2 Press RADIO BAND [4] to select the band.

3 Hold down AUTO PRESET [4] for 2 seconds until “Auto” flashes in the display.

4 Press DISPLAY/ENTER [14]. The stations are stored in memory from the lower frequencies to the higher ones.

#### If a station cannot be preset automatically

You need to preset a station with a weak signal manually.

1 Press POWER [1].

2 Press RADIO BAND [4] to select the band.

3 Tune in a station you want using TUNE + or – [13].

4 Hold down MEMORY [14] for 2 seconds until the preset number flashes in the display.

5 Press PRESET + or – [9] until the preset number you want for the station flashes in the display.

6 Press DISPLAY/ENTER [14].

The new station replaces the old one.

#### Tip

The preset radio stations remain in memory even if you unplug the AC power cord or remove the batteries.

### Playing preset radio stations

1 Press POWER [1].

2 Press RADIO BAND [4] to select the band.

3 Press PRESET + or – [9] to tune in the stored station.

### Connecting optional components

You can enjoy the sound from an optional component such as a portable digital music player through the speakers of this unit. Be sure to turn off the power of each component before making any connections. For details, refer to the instruction manual of the component to be connected.

1 Connect the AUDIO IN jack [12] to the line output jack of the portable digital music player or other components using an audio connecting cable (not supplied).

2 Press POWER [1] to turn the unit on.

3 Turn the connected component on.

4 Press AUDIO IN [4] and start playback on the connected component.

The sound from the connected component is output from the speakers of this unit.

To connect the unit to a TV or VCR, use an extension cable (not supplied) with a stereo-mini jack on one end and two phono plugs on the other end.

#### Tip

You can record the sound of the connected component. Insert a blank tape and press ● [2].

## Troubleshooting

#### General

##### The power is not on.

- Connect the AC power cord to the wall outlet securely.
- Make sure the batteries are inserted correctly.
- Replace all the batteries with new ones if they are weak.

##### There is no audio.

- Unplug the headphones when listening through speakers.

##### Noise is heard.

- Someone is using a portable telephone or other equipment that emits radio waves near the unit.
  - Move the portable telephone, etc., away from the unit.

#### CD player

##### The CD does not play or “Cd - -” is displayed even when a CD is in place.

- Place the CD with the label surface up.
- Clean the CD.
- Take out the CD and leave the CD compartment open for about an hour to dry moisture condensation.
- The CD-R/CD-RW is blank.
- There is a problem with the quality of the CD-R/CD-RW, recording device or application software.
- Replace all the batteries with new ones if they are weak.

##### The sound drops out.

- Reduce the volume.
- Clean the CD, or replace it if the CD is badly damaged.
- Place the unit in a location free from vibration.
- Clean the lens with a commercially available blower.
- The sound may drop out or noise may be heard when using a poor quality CD-R/CD-RW or if there is a problem with the recording device or application software.

#### Radio

##### Reception is poor.

- Reorient the antenna to improve FM reception.



##### Reorient the unit itself to improve AM reception.



##### The audio is weak or has poor quality.

- Replace all the batteries with new ones if they are weak.
- Move the unit away from the TV.

##### The picture of your TV becomes unstable.

- If you are listening to an FM program near the TV with an indoor antenna, move the unit away from the TV.

#### Tape player

##### The tape does not move when you press an operation button.

- Close the cassette compartment securely.

##### The ● button [2] does not function or the tape does not play or record.

- Make sure the safety tab on the cassette is in place.

##### Poor or distorted playback, recording or erasing quality.

- Clean the heads by using dry- or wet-type cleaning cassette (available separately) after every 10 hours of use, before you start an important recording, or after playing an old tape. Failure to clean the tape heads can cause degraded sound quality or an inability of the unit to record or play tapes. For details, refer to the instructions of the cleaning cassette.
- The TYPE II (high position) or TYPE IV (metal) tape is being used. Use TYPE I (normal) tape only.
- Demagnetize the heads using a commercially available tape head demagnetizer.
- Replace all the batteries with new ones if they are weak.

After trying the remedies, if you still have problems, unplug the AC power cord or remove all the batteries. After all the indications in the display disappear, plug the AC power cord or insert the batteries again. If the problem persists, please consult your nearest Sony dealer.