

## Problems

## Possible Cause / Solution

Player not working or stopped working

- Unplug the power, press on SD card so it snaps out, wait 30 seconds, re-insert the SD card and make sure it snaps IN, re-connect the power securely., observe the LED is turning ON
- Some low capacity SD cards are not compatible, in that case RED LED turns ON but the player does not play, use the provided SD card or try another correct type SD card and try formatting it.
- Check the audio cord; try re-inserting it again, adjust the volume

Cannot Transfer files to SD card

- If you use Windows 98 SE, ensure to use it's USB driver is installed properly in your system.
- Ensure the SD card is snapped in, ensure USB adapter is connected securely to your PC USB port, try another USB port directly, Ensure to observe that the Status LED turns ON solid on the USB adapter Make sure SD card is not locked

Audio Volume is too low

- Verify that the audio cord is plugged in securely all the way IN,
- Turn the Volume Up -press and Hold the V+

### Specifications:

**File Formats:** MP3, WMA, MAC, etc.

**Frequency response:** 20Hz to 20 KHz. less than 0.1% THD

**Sampling rate:** >64kbps Mono, 128kbps recommended

**PC Interface:** USB 2.0 Hi-Speed(MSC) compatible with USB 1.0

**Memory Capacity :** SD card 64MB to 4GB (up to 256 hours on 4GB SD card)

**Output Power:** 1 watts maximum, Volume control

**Power supply:** 110VAC/240VAC 50-60 Hz. To 5 VDC 500 ma

**Size:** 4" x 2.5" x 1" (L x W x H)

**Color: Blue Weight:** (1.0 pounds with power supply)

## Warranty

This product is warranted against defects for a period of Three (3) years from the date of original invoice. We will repair/replace the product with no charge for parts or labor during this period. To obtain warranty service the product needs to be returned freight prepaid by the customer with a copy of original invoice. This warranty does not apply if in the sole opinion of Innovative Telecommunication Technology LLC, the product has been tampered with or damaged by lightning or any other acts of nature, misuse, neglect or unauthorized service.

EXCEPT AS SPECIFICALLY PROVIDED IN THIS AGREEMENT, THERE ARE NO OTHER WARRANTIES, EXPRESSED OR OTHERWISE, INCLUDING, BUT NOT LIMITED TO ANY IMPLIED WARRANTIES OR MERCHANTABILITY OR FITNESS FOR A SPECIAL PURPOSE. IN NO EVENT SHALL INNOVATIVE TELECOMMUNICATION TECHNOLOGY LLC (INVOTEL) BE LIABLE FOR LOSS OF PROFITS OR BENEFITS, INDIRECT, SPECIAL, CONSEQUENTIAL OR OTHERWISE ARISING FROM ANY BREACH OF THIS WARRANTY OR OTHERWISE.

# invotel®

1112 Montana Ave Suite 250 Santa Monica, CA 90403 USA

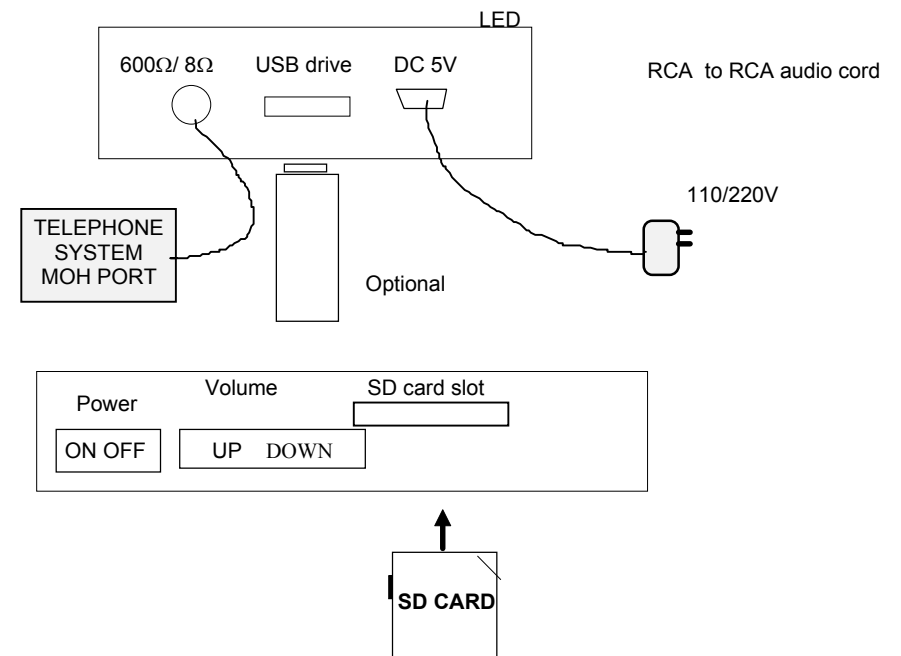
Tel: 310-899-0078 Fax: 310-857-6401 <http://www.invotel.com>



**User Manual**  
**SX8800-P2** Rev 05

## Professional USB drive /SD Digital Player

- Install the player near the phone system MOH jack
- Connect the 600/8 Ω OUTPUT jack to your phone system MOH jack using the provided Mono/RCA cord (on some MOH ports you may need to connect via a Mono to Mono or stereo to stereo cord)
- Insert the SD card into the player and make sure it “snaps in” fully
- Alternatively you may insert a USB Flash drive to “USB drive”
- Connect the power jack to the AC adapter as shown
- Turn ON the Player via the ON-OFF switch
- Adjust Volume level up or down as needed
- You may turn the speaker ON to “test the playback” by un-plugging the audio cord from the player then re-insert the cord back in when done.



## Package Content:

SX8800-P2 MP3 Digital Player unit  
Secure Digital (SD card) 64MB or higher or USB Flash drive  
Power adapter 110v/ 240v AC to 5V DC 200-500 ma  
Mono to RCA audio cord to connect to MOH port  
User's Manual

## Connecting to a Computer:

Remove the SD card and insert it into an "SD card slot" normally found on most PC or laptops (use a USB adapter in case the PC has USB port only or use a USB Flash drive instead of SD card)

This will be detected as "Removable Disk", when you open "My Computer" or "Windows Explorer"

## Transferring files into SD card:

Select the file you want to transfer to the SD card and drag-and-drop it into the "Removable Disk" that represents this device (right click on the file, copy, move the mouse to the "Removable Disk", right click there and paste)

The player will play all the .mp3 files one by one before it auto repeats from the 1<sup>st</sup> file, You may silence the .mp3 files you do not want to play by renaming them to "**file.ip3**" or just keep one .mp3 file in the SD card, i.e. move or delete the extra files you do not want to play from the SD card. After the file is transferred to SD card allow 15 seconds for it to finish before removing the SD card.

**If you have a new SD card with new production in it, simply "press in" the old SD card so it snaps out, insert the new SD card and make sure it snaps in, the playback automatically starts within 15 seconds. If it did not Turn OFF then Turn ON**

## Disconnecting from Computer:

⇒ Double click on the green arrow in the Taskbar located on the lower -right side of the computer screen (Safely Remove Hardware)



⇒ Select "USB Mass Storage Device" from the list that appears then click "Stop" then press "OK"

⇒ When the "Safe to Remove Hardware" appears click OK and disconnect the USB adapter or remove the SD card.

## OUTPUT:

SX8800P2 has a 3.5 mm output connector, Automatic 8 Ω, 600 Ω . Use a 3.5 mm stereo output if your MOH has a 3.5 mm stereo or mono jack or cable .

**Modes of playback:** 1 to 99 tracks, device plays all the tracks one by one and re-loops automatically, Silence any track by renaming it to **filename.ip3** instead of filename.mp3.

**Single track**

**Multi track**   -----

## SD CARD:

SX8800 can accept 64MB to 4GB SD cards available on the market. Up to 256 hours of continuously playing audio time can be obtained using a 4GB SD card.

Most SD cards have a lock that needs to be in unlock position (toward the edge) in case the card needs to be accessed by the computer.

To remove the SD card, you may Turn OFF the player 1<sup>st</sup>, update it from your PC/Laptop then insert it back in or insert a new SD card with files in it or insert a new Flash drive with files in it. Turn ON the player, make sure the AC adapter is connected for power and the playback automatically resumes in a few seconds.

## Volume:

Press & hold the V+ button to Turn the Volume UP.  
Press & hold the V- button to Turn the Volume Down.

## SPEAKER:

Un-plug the audio cord from player to hear audio from a speaker inside. This is only for monitoring or testing the audio, the volume levels heard at this time are not the actual audio levels available to the MOH port, be sure to re-adjust the volume again after re-inserting the audio cord & when the calls are placed on Hold to ensure the proper and desired audio volume levels.

## STATUS LED light :

The Status LED will blink ON & OFF when the device is powered ON and working.

**To test the audio:** Remove the Audio cord from the Player the built-in speaker can be used to hear the audio playback any time.