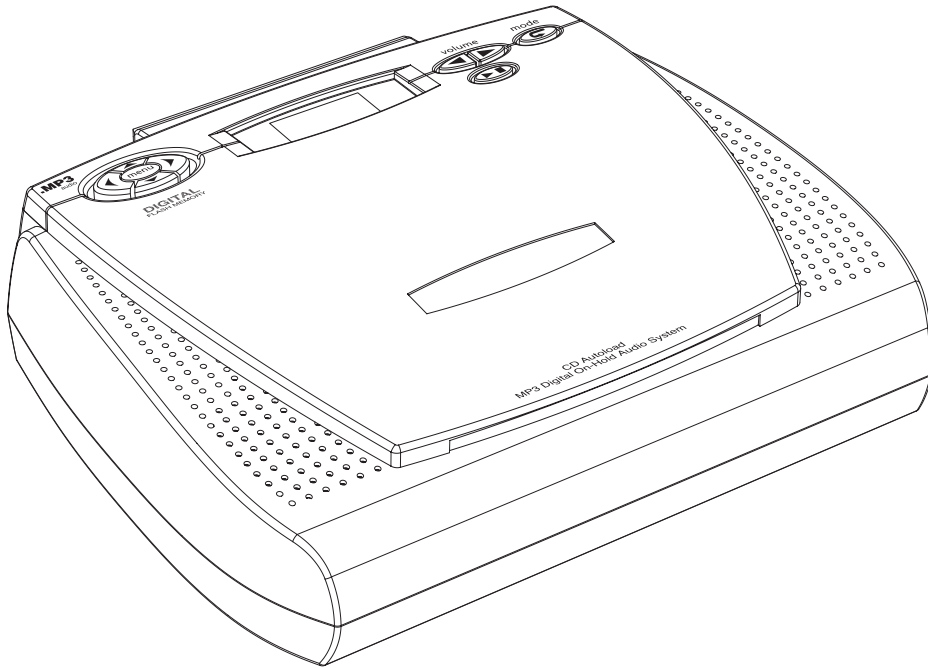


User Manual

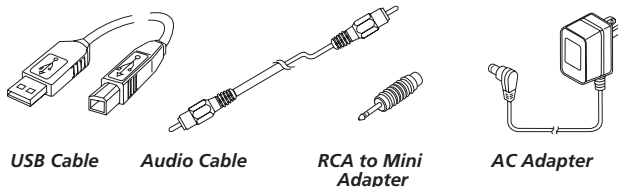


Digital MP3 CD Autoload System



Before using this unit, please read these operating instructions carefully.
Afterwards, keep them handy for future reference.

Supplied Accessories



MP3 CD Autoload System Features

Integrated CD Autoload - drop in a CD, close the lid, and the unit automatically records the audio content from the CD to built-in memory or SD card.

USB Connectivity - transfer MP3 or WMA files directly to built-in flash or SD card.

On-Board Memory - unit comes with 128MB of on-board memory and is preloaded with nearly 3 hours of music content in a variety of styles. Choose to repeat one or all tracks.

Autostart After Power Interrupt - unit starts back into play mode when power is reapplied.

Save Settings Function - save track, playback mode and volume settings. Settings are retained even after power loss.

Digital Flash Memory - on-board memory retains music/message content even during power loss...unit ships with preloaded audio. Unit automatically starts in playback mode and retains track and volume settings after power loss.

SD Memory Card Slot - upgrade the MP3 CD Autoload System's memory up to 1GB (over 70 hours) by adding a Secure Digital Card (SD).

3 Repeat Options- unit supports *repeat all*, *repeat all-shuffle* & *repeat one track* functions.

Backlit LCD Control Panel - 6-line backlit LCD panel displays ID3 tags with descriptive track names for easy identification and selection. Display also shows a variety of important information so user can choose playback preferences and easily determine unit's operational status.

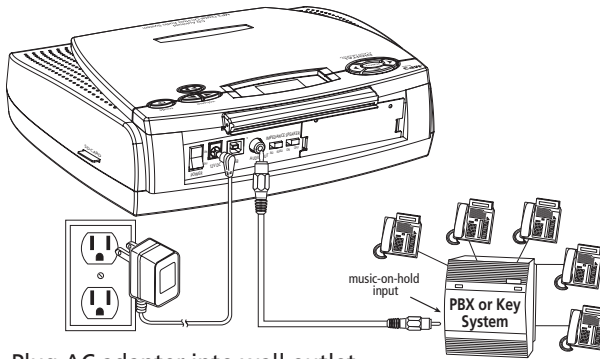
Firmware Upgradeable - Update the player's firmware from a PC via USB.

Built-In Monitor Speaker - allows user to monitor sound with the flip of a switch.

Wall-Wountable - unit can play while mounted in a vertical position.

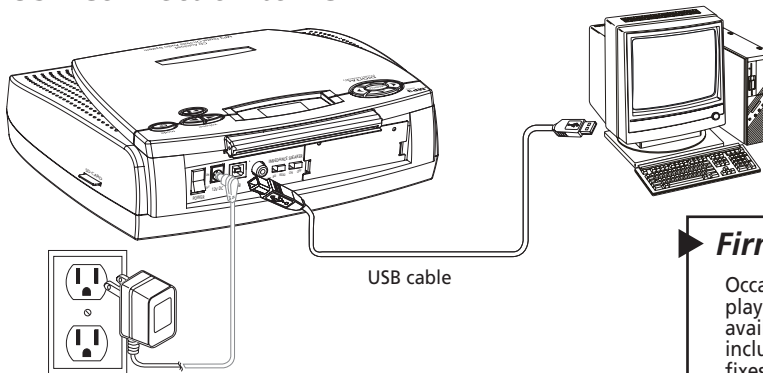
Set-up

▶ Audio Connection to PBX or KEY phone systems



- 1** Plug AC adapter into wall outlet.
- 2** Plug AC adapter cable into jack marked "DC9V."
- 3** Plug "Connector Cable*" to "AUDIO OUT" jack.
- 4** Plug other end of "Connector Cable" into phone system's music-on-hold (MOH) input jack. NOTE: If the jack cannot be located, contact your phone vendor for assistance.

▶ USB Connection to PC



- 1** Connect AC adapter to wall power outlet and plug power plug to the jack marked 12VDC.
- 2** Plug USB cable (square socket) into the USB jack on the back panel of the player.
- 3** Plug the other end of the USB cable (rectangular) into the USB port on the back of the PC.

NOTE - To copy files to the player from your PC, see "Copying New Tracks to the Player" on page 5.

▶ Firmware Updates

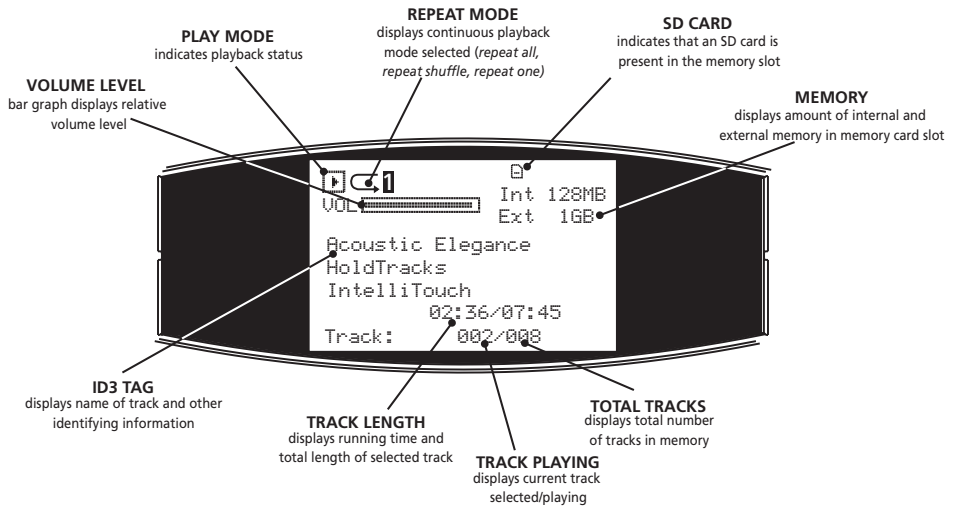
Occasionally updates to the player's firmware are made available. These changes can include new features or bug fixes. The latest firmware updates are available at from your dealer.

Your player's firmware version is displayed on the LCD when the player is powered on.

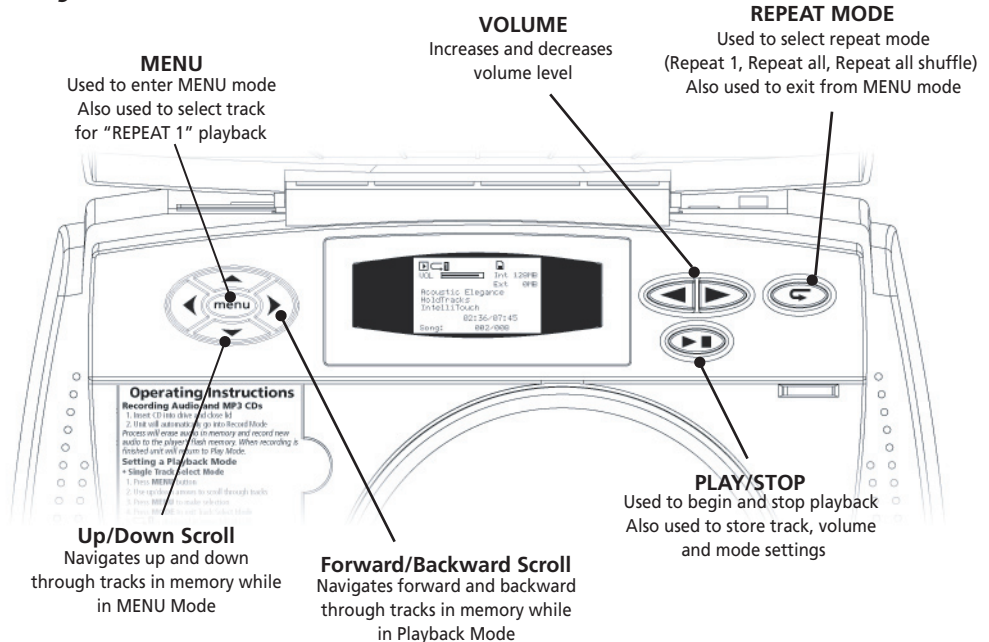
Updating firmware is a simple procedure that involves downloading a file from the site and connecting the player from the PC to the player via the provided USB cable.

Controls & Functions

► LCD Display



► Player Controls



Operation

▶ **Adding New Audio Using the CD Drive**

The MP3 CD Autoload System will read ordinary Audio CDs and MP3 encoded CDs. Each time you record a new CD, the audio content stored on the on-board memory will be erased and replaced with the new audio from the CD.

Recording a CD

- 1** Place CD in the drive and close the lid.
 - 2** LCD will show "CD READING" followed by "ERASING FILES."
 - 3** Recording will begin in real-time regardless of disc format (MP3 or Audio CD). Files recorded to memory will automatically be named Track01.mp3, Track02.mp3, etc..
 - 4** When recording is completed, unit will automatically return to playback mode.
- NOTE:** Audio recorded via the CD drive is sampled at 96kbps. At this rate the player can record 2 hours and 54 minutes of audio to the built-in 128 MB memory.

▶ **Recording a CD onto an SD Card**

To record to an SD card, insert an SD card into the card slot on the right side of the unit, place CD in drive, and close the lid. When an SD card is recorded, the entire contents previously contained on the SD card is erased. After recording to the SD card, the unit will automatically go into playback mode.

NOTE: When recording to an SD card, the program content stored on the built-in memory is not erased. To play from the on-board memory, remove the SD card and press the **PLAY** button to resume playback.

▶ **Recording Time**

Recording time via the CD drive is limited to around 2 hours and 54 minutes. This is more than enough to record an entire audio CD to built-in memory. If an MP3 CD containing over 2 hours and 54 minutes is inserted, the player will record as much of the CD as memory permits (2hr. 54 min. for built-in 128MB and up to 23 hrs. and 40 min. on a 1GB SD card).

▶ **Erasing Memory**

The time that it takes to erase the memory varies from a few seconds to several minutes. The erase time is based on the number of tracks and the length of the tracks being erased. A row of diamond icons will show the progress of the erasure.

IMPORTANT

To prevent accidental recording of a CD, please remember to remove the CD from the drive once recording is completed. The player is designed to automatically record any CD in the drive to memory when the lid is opened and closed, or when power is turned off to the unit and then reapplied.



WARNING:
Recording a CD onto an SD card will overwrite the contents of the SD card. Make sure any important files are backed up!



Operation



▶ ***Adding New Tracks to the Player via USB (Win)***

Once connected via USB, the player will show up as two removable drives (i.e. Drive E & Drive F) in the MY COMPUTER window. The first drive will represent the on-board memory (128 MB). The second drive represents the built-in SD Card reader (only available if a card is inserted). The MY COMPUTER window is where you can manage the content on your player. From this window you can add/copy or delete files that are stored on your player.

▶ ***Copying New Tracks to Your Player (Win)***

- 1** Using the power switch on the back of the unit, turn the player off.
- 2** Plug the USB cable into the USB port on the back of your player.
- 3** Plug the other end of the cable into the USB port on your computer.
- 4** Turn the POWER switch to the ON position (LCD will show an icon of a computer and a memory card with the word "READY").
- 5** Locate and select any MP3 or WMA audio file(s) or file(s).
- 6** Copy the files.
- 7** Go to "My Computer" and double click on Drive E or F.
- 8** Paste the files to the selected drive.
- 9** Turn the POWER switch on the back of player to the OFF position.
- 10** Remove the USB cable and turn the player back to the ON position.



▶ ***Adding New Tracks to the Player via USB (Mac)***

Once connected via USB, the player (and SD Card, if inserted) will show up as a disc on your desktop. Copy, drag, or save the files to the drive. When completed, drag the drive(s) to the trash to unmount.

▶ ***External SD Flash Card***

The player is also equipped with a slot for a Secure Digital (SD) flash card. Files can be copied to the card by putting it into the unit and connecting the USB cable to a PC. Alternately, files can be copied to the card by connecting a smart media card reader to the PC's USB port and copying files directly to the card.

Using an SD Flash Card

The player has an SD card slot located on the right side of the player. Insert the flash card, label side up. When you insert an SD card, the files on the card will override the built-in memory. While the card is in the unit, you will not be able to see the tracks stored on the on-board memory.

▶ ***About MP3 "ID-3 Tags"***

MP3 files contain information "tags" that are displayed on the LCD (title, artist & album). Audio files transferred via USB or played via an SD card retain their tags. MP3 files put on a CD and recorded through the integrated CD drive will lose their tag information.



Playback Operation

▶ **Playback**

Playing Audio Stored in On-Board Memory or on SD Card

By default, the unit is always in "playback" mode. When unit is playing, the LCD will display a running time and the ▶ icon will be shown on the LCD. Playback can be stopped by pressing the **PLAY/STOP** button.

▶ **Moving Between Tracks**

While in playback mode, you can move between tracks by pressing the ◀▶ buttons on the unit.

Fast Scanning Through Tracks

While in playback mode, you can fast forward or rewind through a track by holding the ◀ or ▶ button. When in Fast Scan Mode ◀◀ or ▶▶ will be displayed in the upper left of the LCD window.

▶ **Playback Modes**

The player is set to the PLAY mode as a default. You may stop playback by pressing **PLAY/STOP**. Using the ↶ button, you can select from one of three modes. The "repeat" icon in the LCD will show which mode you are in:

- ↶ Repeat all tracks in order
- ↶ S Repeat all tracks in a random order
- ↶ 1 Repeat the current track only

▶ **Selecting a Single Track for Playback**

- 1 Press the **MENU** button (LCD will display track names)
- 2 Use the up/down arrows to navigate to the desired track.
- 3 Press the **MENU** button to select the track (a ♦ will appear next to the selected track).
- 4 Press the ↶ button to return to playback -- the display will show ↶ 1

▶ **Saving Your Playback Settings**

The unit can save volume level, repeat function, and track selection settings. To save settings follow these steps:

- 1 Press **PLAY/STOP** button once to stop playback.
- 2 Press and hold **PLAY/STOP** again until the LCD shows "SETTING SAVED."
- 3 Press **PLAY/STOP** again to resume playback.

▶ **Playback After Power Loss**

If power to the unit is lost, the unit will automatically resume playback as soon as power is reapplied. If saved, volume level, repeat function and track selection settings are recalled as soon as power is reapplied and playback begins.

Specifications

General

- On-board memory - 128MB
- Maximum memory supported (SD) – 1GB
- Supported bit rates – 32–320kbps
- External memory slot – Secure Digital (SD) Memory Card
- Interface – USB 1.1
- Playback modes – repeat one, repeat all, repeat all-shuffle
- Audio output mode – mono (analog)
- ID-3 tag support
- Firmware upgradeable via USB
- LCD - 6-line backlit display
- Built-in monitor speaker
- Interface devices - USB port, RCA audio output
- Minimum operating system (player - USB connection)
 - Windows - 98, 98 ME & SE, 2000, XP
 - Mac - OS 9.0.4 or later, OS X 10.1 or later
- Warranty – 3 years

Analog Audio Output

- 8 Ω - 4 volts peak to peak
- 600 Ω - 8 volts peak to peak

Power

- 12VDC @500mA
- Source -110VAC, 60Hz UL/CSA power pack

Playback Capacity

- Audio CD - 80 minutes
- MP3 CD – 480 minutes
- Internal memory – up to 128 MB (480 minutes at 32 kbps @ 32K rate)
- SD Card – up to 1 GB (4000 minutes at 32 kbps @ 32K rate)

Supported Audio Standards

Integrated CD Drive

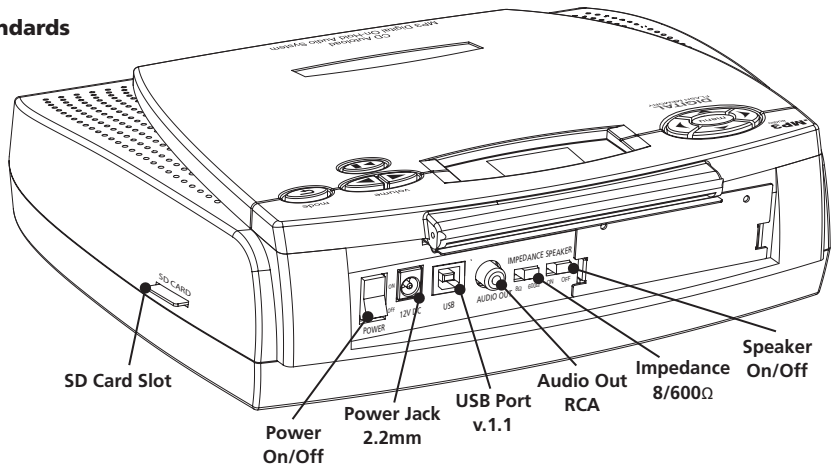
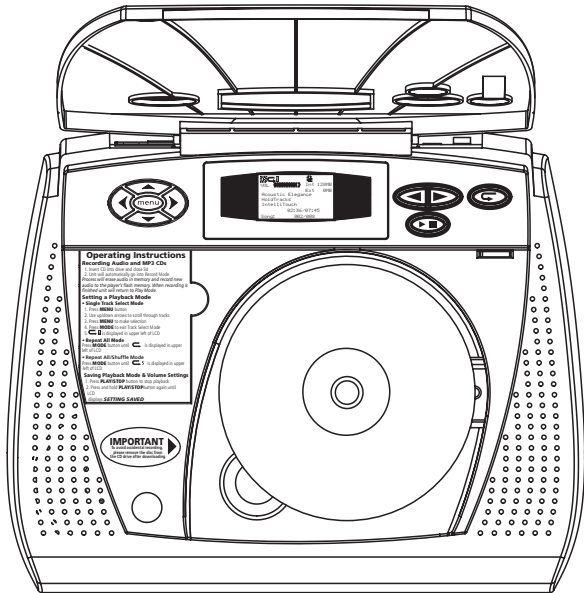
- Audio CD
 - MP3 Encoded CD
- #### USB or SD Card
- MP3
 - WMA

CD Sampling Rate

- 96kbps @ 32K -mono

CD Media Supported

- CD
- CD/R
- CD/RW



FCC Information

FCC Part 15

This equipment has been tested and found to comply with the limits for a Class B digital device, pursuant to Part 15 of the FCC Rules. These limits are designed to provide reasonable protection against harmful interference in a residential installation. This equipment generates, uses, and can radiate radio frequency energy and, if not installed and used in accordance with the instructions, may cause harmful interference to radio communications. However, there is no guarantee that interference will not occur in a particular installation. The unit may malfunction when there is radio interference appeared on the power line/signal line. The unit will revert to normal operation when the interference stops. If this equipment does cause harmful interference to radio or television reception, which can be determined by turning the equipment off and on, the user is encouraged to try to correct the interference by one or more of the following measures:

- Reorient or relocate the receiving antenna.
- Increase the separation between the equipment and receiver.
- Connect the equipment into an outlet on a circuit different from that to which the receiver is connected.
- Consult the dealer or an experienced radio/TV technician for help.

You are cautioned that any changes or modifications not expressly approved in this manual could void your authority to operate this equipment.

FCC Part 68

This equipment complies with part 68 of the FCC Rules. On the bottom of the back of this equipment is a label that contains, among other information, the FCC Registration Number and Ringer Equivalence Number (REN) for this equipment. You must, upon request, provide this information to your telephone company.

The REN is useful to determine the quantity of devices you may connect to your telephone line and still have all of those devices ring when your telephone number is called. In most, but not all areas, the sum of the RENs of all devices connected to one line should not exceed five (5).

Your telephone company may make changes in its facilities, equipment, operations or procedures that could affect the proper functioning of your equipment. If they do, you will be notified in advance to give you an opportunity to maintain uninterrupted telephone service.

If you experience trouble with this telephone equipment, the telephone company may ask you to disconnect this equipment from the network until the problem has been corrected or until you are sure the equipment is not malfunctioning. This equipment may not be used on coin service provided by the telephone company. Connection to party lines is subject to site tariffs.

This device contains no user serviceable parts.

Industry Canada Information

NOTICE: The Industry Canada label identifies certified equipment. This certification means that the equipment meets telecommunications network protective, operational and safety requirements as prescribed in the appropriate Terminal Equipment Technical Requirements documents(s). The department does not guarantee the equipment will operate to the user's satisfaction. The unit may malfunction when there is radio interference appeared on the power line/signal line. The unit will revert to normal operation when the interference stops.

Before installing this equipment, users should ensure that it is permissible to be connected to the facilities of the local telecommunications company. The equipment must also be installed using an acceptable method of connection. The customer should be aware that compliance with the above conditions may not prevent degradation of service in some situations.

Repairs to certified equipment should be coordinated by a representative designated by the supplier. Any repairs or alterations made by the user to this equipment, or equipment malfunctions, may give the telecommunications company cause to request the user to disconnect the equipment.

Users should ensure for their own protection that the electrical ground connections of the power utility, telephone lines and internal metallic water pipe system, if present, are connected together. This precaution may be particularly important in rural areas. **Caution:** Users should not attempt to make such connections themselves, but should contact the appropriate electric inspection authority, or electrician, as appropriate."

An explanatory note on Ringer Equivalence Numbers (see Section 10.0) and their use must be provided for the terminal equipment user in the information accompanying the terminal equipment. A notice similar to the following would be suitable:

"NOTICE: The Ringer Equivalence Number (REN) assigned to each terminal device provides an indication of the maximum number of terminals allowed to be connected to a telephone interface. The termination on an interface may consist of any combination of devices subject only to the requirement that the sum of the ringer equivalence Numbers of all the devices does not exceed 5."

Precautions

Installation

Never install the unit where it would be subjected to:

- heat sources such as radiators or air ducts.
- direct sunlight.
- excessive dust.
- moisture or rain.
- mechanical vibration or shock.
- unlevelled surface.

- When the unit is used with an AC power adapter, do not wrap the unit in a cloth, blanket, etc. If you do so, the temperature inside and outside the unit may rise considerably, resulting in malfunctioning of the unit or serious accidents.
- For the unit to operate at its best, it should not be subjected to temperatures below 5°C (41°F) or above 35°C (95°F).

Warnings

- Before operating the unit, please read this manual thoroughly and retain it for future reference.
- To prevent fire or shock hazard, do not expose the unit to rain or moisture. To avoid electrical shock, do not open the cabinet. Refer servicing to qualified personnel only.
- Electrostatic Discharge - If the unit is subject to electrostatic discharge, the unit may malfunction and require user to reset the unit by turning the power off and then back on again.

