



BCM50 Installation and Maintenance Guide

BCM 5.0 Business Communications Manager

Document Status: **Standard**

Document Number: **NN40170-305**

Document Version: **03.03**

Date: **August 2009**

Copyright © 2009 Nortel Networks, All Rights Reserved

The information in this document is subject to change without notice. The statements, configurations, technical data, and recommendations in this document are believed to be accurate and reliable, but are presented without express or implied warranty. Users must take full responsibility for their applications of any products specified in this document. The information in this document is proprietary to Nortel Networks.

Trademarks

Nortel, the Nortel logo, and the Globemark are trademarks of Nortel Networks.

Microsoft, MS, MS-DOS, Windows, and Windows NT are trademarks of Microsoft Corporation.

All other trademarks and registered trademarks are the property of their respective owners.

SOFTWARE LICENSE

NORTEL NETWORKS INC. ("NORTEL NETWORKS") TELECOMMUNICATION PRODUCTS

THIS LEGAL DOCUMENT IS A LICENSE AGREEMENT ("License") BETWEEN YOU, THE END-USER ("CUSTOMER") AND NORTEL NETWORKS. PLEASE READ THIS LICENSE CAREFULLY BEFORE USING THE SOFTWARE. BY USING THIS SOFTWARE, YOU, THE CUSTOMER, ARE AGREEING TO BE BOUND BY THE TERMS OF THIS LICENSE. IF YOU DO NOT AGREE TO THE TERMS OF THIS LICENSE, RETURN THE UNUSED SOFTWARE AND THE ASSOCIATED DOCUMENTATION TO NORTEL NETWORKS THROUGH A NORTEL NETWORKS AUTHORIZED DISTRIBUTOR WITHIN FIVE (5) DAYS OF YOUR ACQUISITION OF THE SOFTWARE FOR A REFUND.

Subject to the terms hereinafter set forth, NORTEL NETWORKS grants to CUSTOMER and/or its representatives, with a "need to know," a personal, non-exclusive license (1) to use the licensed software, proprietary to NORTEL NETWORKS or its suppliers and (2) to use the associated documentation. CUSTOMER is granted no title or ownership rights, in or to the licensed software, in whole or in part, and CUSTOMER acknowledges that title to and all copyrights, patents, trade secrets and/or any other intellectual property rights to and in all such licensed software and associated documentation are and shall remain the property of NORTEL NETWORKS and/or NORTEL NETWORKS' suppliers. The right to use licensed software may be restricted by a measure of usage of applications based upon number of lines, number of ports, number of terminal numbers assigned, number of users, or some similar measure. Expansion beyond the specified usage level may require payment of an incremental charge or another license fee.

NORTEL NETWORKS considers the licensed software to contain "trade secrets" of NORTEL NETWORKS and/or its suppliers. Such "trade secrets" include, without limitation thereto, the specific design, structure and logic of individual licensed software programs, their interactions with other portions of licensed software, both internal and external, and the programming techniques employed therein. In order to maintain the "trade secret" status of the information contained within the licensed software, the licensed software is being delivered to CUSTOMER in object code form only.

NORTEL NETWORKS or any of its suppliers holding any intellectual property rights in any licensed software, and/or any third party owning any intellectual property rights in software from which the licensed software was derived, are intended third party beneficiaries of the License. All grants of rights to use intellectual property intended to be accomplished by this License are explicitly stated. No other grants of such rights shall be inferred or shall arise by implication.

CUSTOMER warrants to NORTEL NETWORKS that CUSTOMER is not purchasing the rights granted by this License in anticipation of reselling those rights.

CUSTOMER shall:

- Hold the licensed software in confidence for the benefit of NORTEL NETWORKS and/or NORTEL NETWORKS' suppliers using no less a degree of care than it uses to protect its own most confidential and valuable information; and
- Keep a current record of the location of each copy of licensed software made by it; and
- Install and use each copy of licensed software only on a single CPU at a time (for this purpose, single CPU shall include systems with redundant processing units); and

- Affix to each copy of licensed software made by it, in the same form and location, a reproduction of the copyright notices, trademarks, and all other proprietary legends and/or logos of NORTEL NETWORKS and/or NORTEL NETWORKS' suppliers, appearing on the original copy of such licensed software delivered to CUSTOMER; and retain the same without alteration on all original copies; and
- Issue instructions to each of its authorized employees, agents and/or representatives to whom licensed software is disclosed, advising them of the confidential nature of such licensed software and to provide them with a summary of the requirements of this License; and
- Return the licensed software and all copies through an Authorized Distributor to NORTEL NETWORKS at such time as the CUSTOMER chooses to permanently cease using it.

CUSTOMER shall not:

- Use licensed software (i) for any purpose other than CUSTOMER's own internal business purposes and (ii) other than as provided by this License; or
- Allow anyone other than CUSTOMER's employees, agents and/or representatives with a "need to know" to have physical access to licensed software; or
- Make any copies of licensed software except such limited number of object code copies in machine readable form only, as may be reasonably necessary for execution or archival purposes only; or
- Make any modifications, enhancements, adaptations, or translations to or of licensed software, except as may result from those CUSTOMER interactions with the licensed software associated with normal use and explained in the associated documentation; or
- Attempt to reverse engineer, disassemble, reverse translate, decompile, or in any other manner decode licensed software, in order to derive the source code form or for any other reason; or
- Make full or partial copies of any documentation or other similar printed or machine-readable matter provided with licensed software unless the same has been supplied in a form by NORTEL NETWORKS intended for periodic reproduction of partial copies; or
- Export or re-export licensed software and/or associated documentation by downloading or otherwise from the fifty states of the United States and the District of Columbia.

PLEASE REFER TO THE NEXT PAGE

Except for Java Product (as defined herein below), CUSTOMER may assign collectively its rights under this License to any subsequent owner of the associated hardware, but not otherwise, subject to the payment of the then current license fee for new users, if any. No such assignment shall be valid until CUSOMTER (1) has delegated all of its obligations under this License to the assignee; and (2) has obtained from the assignee an unconditional written assumption of all such obligations; and (3) has provided NORTEL NETWORKS a copy of such assignment, delegation and assumption; and (4) has transferred physical possession of all licensed software and all associated documentation to the assignee and destroyed all archival copies. Except as provided, neither this License nor any rights acquired by CUSTOMER through this License are assignable. Any attempted assignment of rights and/or transfer of licensed software not specifically allowed shall be void and conclusively presumed a material breach of this License.

If NORTEL NETWORKS (i) claims a material breach of this License, and (ii) provides written notice of such claimed material breach to CUSTOMER and (iii) observes that such claimed material breach remains uncorrected and/or unmitigated more than thirty (30) days following CUSTOMER's receipt of written notice specifying in reasonable detail the nature of the claimed material breach, then CUSTOMER acknowledges that this License may be immediately terminated by NORTEL NETWORKS and CUSTOMER further acknowledges that any such termination shall be without prejudice to any other rights and remedies that NORTEL NETWORKS may have at law or in equity.

EXPRESS LIMITED WARRANTIES FOR ANY ITEM OF LICENSED SOFTWARE, IF ANY, WILL BE SOLELY THOSE GRANTED DIRECTLY TO CUSTOMER BY DISTRIBUTOR. OTHER THAN AS SET FORTH THEREIN, THIS LICENSE DOES NOT CONFER ANY WARRANTY TO CUSTOMER FROM OR BY NORTEL NETWORKS.

THE LICENSED SOFTWARE IS PROVIDED BY NORTEL NETWORKS "AS IS" AND WITHOUT WARRANTY OF ANY KIND OR NATURE, WRITTEN OR ORAL, EXPRESS OR IMPLIED, INCLUDING (WITHOUT LIMITATION) THE IMPLIED WARRANTIES OF MERCHANTABILITY AND OF FITNESS FOR A PARTICULAR PURPOSE.

THIS LIMITATION OF WARRNATIES WAS A MATERIAL FACTOR IN THE ESTABLISHMENT OF THE LICENSE FEE CHARGED FOR EACH SPECIFIC ITEM OF SOFTWARE LICENSED.

IN NO EVENT WILL NORTEL NETWORKS AND/OR NORTEL NETWORKS' SUPPLIERS AND THEIR DIRECTORS, OFFICERS, EMPLOYEES OR AGENTS BE LIABLE TO OR THROUGH CUSTOMER FOR INCIDENTAL, INDIRECT, SPECIAL, CONSEQUENTIAL, PUNITIVE, OR EXEMPLARY DAMAGES OF ANY KIND, INCLUDING LOST PROFITS, LOSS OF BUSINESS OR BUSINESS INFORMATION, BUSINESS INTERRUPTION, OR OTHER ECONOMIC DAMAGE, AND FURTHER INCLUDING INJURY TO PROPERTY, AS A RESULT OF USE OR INABILITY TO USE THE LICENSED SOFTWARE OR BREACH OF ANY WARRANTY OR OTHER TERM OF THIS LICENSE, REGARDLESS OF WHETHER NORTEL NETWORKS AND/OR NORTEL NETWORKS' SUPPLIERS WERE ADVISED, HAD OTHER REASON TO KNOW, OR IN FACT KNEW OF THE POSSIBILITY THEREOF.

Restricted Rights. Use, duplication or disclosure by the United States government is subject to the restrictions as set forth in the Right in Technical Data and Computer Software Clauses in DFARS 252.227-7013(c) (1) (ii) and FAR 52.227-19(c) (2) as applicable.

The rights and obligations arising under this License shall be construed in accordance with the laws of the State of Tennessee. If for any reason a court of competent jurisdiction finds any provision of this License or portion thereof to be unenforceable, that provision of the License shall be enforced to the maximum extent permissible so as to effect the intent of the parties and the remainder of this License shall continue in full force and effect.

This License constitutes the entire agreement between the parties with respect to the use of the licensed software and the associated documentation, and supersedes all prior or contemporaneous understandings or agreements, written or oral, regarding such subject matter. No amendment to or modification of this License will be binding unless in writing and signed by a duly authorized representative of NORTEL NETWORKS.

Open source copyright (ppp-2.4)

This product contains software that is distributed under open source agreements.

This product contains ppp-2.4, a package which implements the Point-to-Point Protocol (PPP) to provide Internet connections over serial lines. This open source package is freely downloadable at: <ftp://ftp.samba.org/pub/ppp/>.

The following copyright notices apply to this software:

Copyright (C) 2002 Roaring Penguin Software Inc.

Permission to use, copy, modify, and distribute this software for any purpose and without fee is hereby granted, provided that this copyright and permission notice appear on all copies and supporting documentation, the name of Roaring Penguin Software Inc. not be used in advertising or publicity pertaining to distribution of the program without specific prior permission, and notice be given in supporting documentation that copying and distribution is by permission of Roaring Penguin Software Inc..

Roaring Penguin Software Inc. makes no representations about the suitability of this software for any purpose. It is provided "as is" without express or implied warranty.

Copyright (C) 1995,1996,1997,1998 Lars Fenneberg <lf@elemental.net>

Permission to use, copy, modify, and distribute this software for any purpose and without fee is hereby granted, provided that this copyright and permission notice appear on all copies and supporting documentation, the name of Lars Fenneberg not be used in advertising or publicity pertaining to distribution of the program without specific prior permission, and notice be given in supporting documentation that copying and distribution is by permission of Lars Fenneberg.

Lars Fenneberg makes no representations about the suitability of this software for any purpose. It is provided "as is" without express or implied warranty.

**Copyright 1992 Livingston Enterprises, Inc.
Livingston Enterprises, Inc. 6920 Koll Center Parkway Pleasanton,
CA 94566**

Permission to use, copy, modify, and distribute this software for any purpose and without fee is hereby granted, provided that this copyright and permission notice appear on all copies and supporting documentation, the name of Livingston Enterprises, Inc. not be used in advertising or publicity pertaining to distribution of the program without specific prior permission, and notice be given in supporting documentation that copying and distribution is by permission of Livingston Enterprises, Inc.

Livingston Enterprises, Inc. makes no representations about the suitability of this software for any purpose. It is provided "as is" without express or implied warranty.

**[C] The Regents of the University of Michigan and Merit Network,
Inc. 1992, 1993, 1994, 1995 All Rights Reserved**

Permission to use, copy, modify, and distribute this software and its documentation for any purpose and without fee is hereby granted, provided that the above copyright notice and this permission notice appear in all copies of the software and derivative works or modified versions thereof, and that both the copyright notice and this permission and disclaimer notice appear in supporting documentation.

THIS SOFTWARE IS PROVIDED "AS IS" WITHOUT WARRANTY OF ANY KIND, EITHER EXPRESS OR IMPLIED, INCLUDING WITHOUT LIMITATION WARRANTIES OF MERCHANTABILITY AND FITNESS FOR A PARTICULAR PURPOSE. THE REGENTS OF THE UNIVERSITY OF MICHIGAN AND MERIT NETWORK, INC. DO NOT WARRANT THAT THE FUNCTIONS CONTAINED IN THE SOFTWARE WILL MEET LICENSEE'S REQUIREMENTS OR THAT OPERATION WILL BE UNINTERRUPTED OR ERROR FREE. The Regents of the University of Michigan and Merit Network, Inc. shall not be liable for any special, indirect, incidental or consequential damages with respect to any claim by Licensee or any third party arising from use of the software.

Task List

| | |
|--------------------------------------------------------------------------------|------------|
| Getting started | 29 |
| Introducing the BCM50 hardware | 37 |
| Viewing the BCM50 system LEDs | 61 |
| Determining DHCP server configuration and IP address | 71 |
| Installing the BCM50 system | 75 |
| Checking the installation prerequisites | 79 |
| Installing the main unit | 83 |
| To install the rack-mount shelf in an equipment rack | 85 |
| To install the BCM50 unit on the rack-mount shelf | 86 |
| To install a BCM50 unit on top of another unit | 87 |
| To install the patch panel..... | 87 |
| To install the BCM50 wall-mount bracket | 88 |
| To install the BCM50 unit on the wall-mount bracket | 90 |
| To install the WFC | 92 |
| To install the BCM50 unit on a desktop or shelf | 93 |
| To install the power supply on the rack-mount shelf | 94 |
| To install the power supply on the desktop | 95 |
| To install a power supply using the power supply mounting enclosure | 95 |
| To install a power supply using the single power supply mounting bracket | 95 |
| Installing an expansion unit | 97 |
| To set G4x16 or G8x16 dip switches..... | 100 |
| To set GASM dip switches | 100 |
| To set GATM dip switches..... | 101 |
| To install an MBM..... | 102 |
| Connecting the cables to the BCM50 system | 105 |
| To connect an expansion unit | 107 |
| To connect a power supply using a UPS..... | 109 |
| To connect a power supply without a UPS..... | 109 |
| To connect the lines and extensions | 112 |
| To connect telephone lines to DTM, BRIM, or 4x16 MBMs..... | 113 |
| To connect analog telephone lines to the GATM4/GATM8 or G4x16/G8x16..... | 114 |
| To connect extensions to DSM16, DSM32, ASM8, 4x16, G4x16, or G8x16 MBMs ... | 115 |
| To install an auxiliary ringer..... | 116 |
| To install an external paging system | 116 |
| To connect the music source using the music source jack | 118 |
| To connect the music source using the RJ-21 telephony connector | 118 |
| To connect the cables to the wiring field card (optional) | 119 |
| To connect the cables to the patch panel (optional)..... | 119 |

| | |
|----------------------------------------------------------------------|------------|
| Installing telephones and peripherals | 121 |
| To install the emergency telephone..... | 122 |
| Installing the analog terminal adapter | 123 |
| To connect the ATA2..... | 125 |
| To mount the ATA2 on a wall | 125 |
| To measure the insertion loss from the CO to the analog device..... | 127 |
| To measure the insertion loss from the analog device to the CO..... | 127 |
| Configuring the BCM50 system | 129 |
| Using Telset Administration to set the basic parameters | 133 |
| To enter the keycodes | 134 |
| To configure the IP address | 135 |
| To configure the modem..... | 135 |
| To select the region | 136 |
| To select the telephony startup template and start DN | 136 |
| To initialize voice mail..... | 136 |
| To create Telset user accounts | 136 |
| Using Element Manager to set the basic parameters | 139 |
| To access the BCM50 Web page..... | 140 |
| To download and install Element Manager | 140 |
| To connect to the BCM50 system using Element Manager | 140 |
| To enter a keycode..... | 141 |
| To configure the LAN IP address | 141 |
| To configure the modem..... | 142 |
| To configure the startup template for telephony services | 142 |
| To initialize voice mail..... | 143 |
| To enter a name for your system..... | 143 |
| To configure the date and time settings | 143 |
| To configure DHCP server settings | 144 |
| To configure IP Phones | 145 |
| To configure SNMP settings..... | 146 |
| To configure SNMP community strings | 147 |
| To configure the SNMP manager list..... | 147 |
| To create user accounts | 148 |
| To configure SRG..... | 149 |
| Using the Startup Profile to configure parameters | 151 |
| To download the Startup Profile template | 153 |
| To customize a Startup Profile for your system | 153 |
| To load the Startup Profile data onto the BCM50 system | 154 |
| Completing the initial installation (optional) | 157 |
| To configure the MBM(s)..... | 158 |
| Connecting the BCM50 system to the LAN and WAN | 161 |
| To connect the BCM50 system to the LAN | 163 |
| To connect the BCM50e or BCM50be main units to the WAN..... | 164 |
| To connect the BCM50a or BCM50ba main units to the WAN..... | 164 |

| | |
|------------------------------------------------------------------|------------|
| Testing basic BCM50 functionality | 167 |
| To test the main unit | 167 |
| To troubleshoot the main unit | 168 |
| To test the expansion unit | 168 |
| To troubleshoot the expansion unit | 168 |
| To test the MBM | 169 |
| To test a station MBM | 169 |
| To test a trunk MBM | 169 |
| To determine why an MBM does not appear in Element Manager | 170 |
| To determine why the ATA2 does not function | 170 |
| To determine why there is no dial tone at the ATA2 | 170 |
| To check the ATA2 wiring | 171 |
| To perform a Level 1 and Level 2 reset | 172 |
| | |
| Replacing the BCM50 system components | 175 |
| To shut down the system | 176 |
| To return the system to operation | 176 |
| | |
| Replacing a power supply | 177 |
| To remove the power supply | 178 |
| To connect the new power supply | 179 |
| | |
| Replacing a main unit | 181 |
| To disconnect the cables | 182 |
| To remove a rack-mounted main unit | 183 |
| To remove a wall-mounted main unit | 183 |
| To remove a desktop mounted main unit | 183 |
| To connect the cables | 184 |
| | |
| Replacing a media bay module | 185 |
| To remove the MBM | 186 |
| To insert the new MBM | 187 |
| | |
| Replacing an expansion unit | 189 |
| To disconnect the expansion unit cables | 190 |
| To remove a rack-mounted expansion unit | 191 |
| To remove a wall-mounted expansion unit | 191 |
| To remove a desktop-mounted expansion unit | 191 |
| To remove the MBM | 192 |
| To connect the cables | 193 |
| | |
| Replacing an internal component | 195 |
| To open the main unit case | 197 |
| To remove the hard disk | 199 |
| To remove the fan | 200 |
| To remove the router card | 201 |
| To insert the new hard disk | 202 |
| To insert the new fan | 204 |
| To insert the new router card | 205 |
| To close the main unit case | 206 |
| | |
| RJ-21 telephony connector wiring chart | 209 |

| | |
|-----------------------------------------------------|------------|
| BRI wiring chart | 213 |
| LAN ports wiring chart | 215 |
| WAN ports wiring chart | 217 |
| Expansion ports wiring chart | 219 |
| DTM wiring chart | 221 |
| BRIM wiring chart | 223 |
| ADID wiring chart | 225 |
| GATM wiring chart | 227 |
| 4x16 wiring charts | 231 |
| G4x16 and G8x16 wiring charts | 235 |
| DSM16 and DSM32 wiring charts | 239 |
| ASM8, ASM8+, and GASM wiring chart | 243 |
| Market profile attributes | 245 |

Contents

| | |
|------------------------------------------------------|-----------|
| New in this release | 19 |
| Features | 19 |
| Regulatory information | 21 |
| North American regulatory information | 21 |
| Canadian Notice | 21 |
| Federal Communications Commission (FCC) Notice | 22 |
| Ringer Equivalence Number (REN) | 22 |
| EMI/EMC (FCC Part 15) | 22 |
| Important safety instructions | 23 |
| Safety | 24 |
| Enhanced 911 configuration | 25 |
| Radio-frequency interference | 25 |
| Telecommunication registration | 25 |
| International regulatory information | 26 |
| Safety | 27 |
| Additional safety information | 27 |
| ITU standardization compliance | 28 |
| | |
| Chapter 1 | |
| Getting started | 29 |
| About this guide | 29 |
| Audience | 29 |
| Acronyms | 29 |
| Symbols and text conventions | 31 |
| Related publications | 33 |
| How to get help | 34 |
| | |
| Chapter 2 | |
| Introducing the BCM50 hardware | 37 |
| Main units | 37 |
| BCM50 Expansion unit and media bay modules | 42 |
| Media bay modules | 44 |
| BCM50 hardware | 52 |
| Rack-mount shelf | 52 |
| Patch panel | 53 |
| Wall-mount bracket | 53 |
| Power supply mounting bracket and enclosure | 54 |
| Wiring field card | 54 |

| | |
|-----------------------------------------------------------------------------|-----------|
| BCM50 components | 54 |
| Power supply | 55 |
| Power supply adapter cord (international users) | 55 |
| Uninterruptable power supply | 55 |
| Hard disk | 56 |
| Cooling fan | 57 |
| RJ-21 telephony connector | 58 |
| Router card | 59 |
| Field-replaceable units | 59 |
| Accessories | 60 |
| | |
| Chapter 3 | |
| Viewing the BCM50 system LEDs | 61 |
| System status LEDs | 61 |
| LAN port LEDs | 63 |
| ADSL router LEDs (BCM50a and BCM50ba only) | 64 |
| Ethernet router LEDs (BCM50e and BCM50be only) | 65 |
| BRI port LEDs on main unit (BRI series only) | 67 |
| Media bay module LEDs (expansion units only) | 67 |
| DTM LEDs | 68 |
| BRIM LEDs | 69 |
| | |
| Chapter 4 | |
| Determining DHCP server configuration and IP address | 71 |
| BCM50 and BCM50b main units (no integrated router) | 71 |
| If an external DHCP server is not present | 71 |
| If an external DHCP server is present | 72 |
| BCM50a, BCM50ba, BCM50e, and BCM50be main units (with integrated router) | 72 |
| | |
| Chapter 5 | |
| Installing the BCM50 system | 75 |
| | |
| Chapter 6 | |
| Checking the installation prerequisites | 79 |
| Environmental requirements | 79 |
| Electrical requirements | 79 |
| Site telephony wiring requirements | 80 |
| Digital loop | 80 |
| Analog loop | 80 |
| System equipment, supplies, and tools | 81 |
| Basic hardware | 81 |
| Optional equipment | 81 |

| | |
|------------------------------------------------------------------------|------------|
| Other hardware and tools | 81 |
| Chapter 7 | |
| Installing the main unit | 83 |
| Unpacking the main unit | 84 |
| Installing the BCM50 unit in an equipment rack | 84 |
| Installing the BCM50 unit on the rack-mount shelf | 85 |
| Installing the patch panel (optional) | 87 |
| Installing the BCM50 unit on the wall | 88 |
| Installing the wiring field card (optional) | 92 |
| Installing the BCM50 unit on a desktop or shelf | 93 |
| Installing the BCM50 power supply | 94 |
| Next step | 95 |
| Chapter 8 | |
| Installing an expansion unit | 97 |
| Unpacking the expansion unit | 98 |
| Verifying the media bay module switch settings | 98 |
| Installing a media bay module in an expansion unit | 102 |
| Installing the expansion unit | 103 |
| Next step | 103 |
| Chapter 9 | |
| Connecting the cables to the BCM50 system | 105 |
| Connecting the expansion unit | 106 |
| Connecting the power supply | 108 |
| Connecting the lines and extensions | 110 |
| Wiring warnings | 111 |
| Connecting lines and extensions to the RJ-21 telephony connector | 112 |
| Connecting telephone lines to the expansion units | 113 |
| Connecting extensions to the expansion units | 114 |
| Connecting the auxiliary equipment | 115 |
| Connecting an auxiliary ringer | 116 |
| Connecting an external paging system | 116 |
| Connecting an external music source | 117 |
| Next step | 120 |
| Chapter 10 | |
| Installing telephones and peripherals | 121 |
| System telephones | 121 |
| Analog terminal adapter 2 | 121 |
| Installing an emergency telephone | 122 |
| Installing IP phones | 122 |

| | |
|----------------------------------------------------------------------|------------|
| Chapter 11 | |
| Installing the analog terminal adapter | 123 |
| Configuration overview | 123 |
| Analog telephone | 123 |
| Analog data device | 124 |
| Installing the ATA2 | 124 |
| Connecting the ATA2 | 124 |
| Mounting the ATA2 | 125 |
| Test insertion loss measurement | 126 |
| Configuring the ATA2 | 127 |
| | |
| Chapter 12 | |
| Configuring the BCM50 system | 129 |
| Initial parameters overview | 130 |
| Startup parameters overview | 131 |
| | |
| Chapter 13 | |
| Using Telsat Administration to set the basic parameters | 133 |
| Configuring the initial parameters | 134 |
| Next step | 137 |
| | |
| Chapter 14 | |
| Using Element Manager to set the basic parameters | 139 |
| Prerequisites | 140 |
| Accessing the BCM50 system | 140 |
| Configuring the initial parameters | 141 |
| Configuring the startup parameters | 143 |
| Next step | 149 |
| | |
| Chapter 15 | |
| Using the Startup Profile to configure parameters | 151 |
| Startup Profile requirements | 152 |
| Configuring basic parameters | 153 |
| Next step | 155 |
| | |
| Chapter 16 | |
| Completing the initial installation (optional) | 157 |
| Configuring the media bay module | 158 |
| Configuring modem settings | 159 |
| Checking for software updates | 159 |
| Configuring voice mail | 159 |
| Customizing security policies | 160 |
| Performing a backup | 160 |

| | |
|-------------------------------------------------------|------------|
| Chapter 17 | |
| Connecting the BCM50 system to the LAN and WAN | 161 |
| Connecting the BCM50 system to the LAN | 162 |
| Connecting the BCM50 system to the WAN | 163 |
| Next step | 165 |
| Chapter 18 | |
| Testing basic BCM50 functionality | 167 |
| Reset to factory settings | 171 |
| Reset levels | 171 |
| Activate the reset feature | 172 |
| Chapter 19 | |
| Replacing the BCM50 system components | 175 |
| Preparing the system for maintenance | 176 |
| Restarting the system after maintenance | 176 |
| Chapter 20 | |
| Replacing a power supply | 177 |
| Preparing the system for maintenance | 178 |
| Removing the power supply | 178 |
| Connect the new power supply | 178 |
| Chapter 21 | |
| Replacing a main unit | 181 |
| Preparing the system for maintenance | 182 |
| Removing the main unit | 182 |
| Installing the new main unit | 183 |
| Chapter 22 | |
| Replacing a media bay module | 185 |
| Chapter 23 | |
| Replacing an expansion unit | 189 |
| Disconnecting the cables | 190 |
| Removing the expansion unit | 190 |
| Removing the MBM | 192 |
| Inserting the MBM in the new expansion unit | 192 |
| Installing the new expansion unit | 193 |
| Chapter 24 | |
| Replacing an internal component | 195 |
| Special tools | 196 |
| Preparing the system for maintenance | 196 |

| | |
|---------------------------------------------------------|------------|
| Removing the main unit | 196 |
| Opening the main unit case | 196 |
| Removing an internal component | 198 |
| Inserting the new component | 201 |
| Closing the main unit case | 206 |
| Installing the main unit | 207 |
| Connecting the cables | 207 |
| | |
| Appendix A | |
| RJ-21 telephony connector wiring chart | 209 |
| | |
| Appendix B | |
| BRI wiring chart | 213 |
| | |
| Appendix C | |
| LAN ports wiring chart | 215 |
| | |
| Appendix D | |
| WAN ports wiring chart | 217 |
| | |
| Appendix E | |
| Expansion ports wiring chart | 219 |
| | |
| Appendix F | |
| DTM wiring chart | 221 |
| | |
| Appendix G | |
| BRIM wiring chart | 223 |
| | |
| Appendix H | |
| ADID wiring chart | 225 |
| | |
| Appendix I | |
| GATM wiring chart | 227 |
| | |
| Appendix J | |
| 4x16 wiring charts | 231 |
| | |
| Appendix K | |
| G4x16 and G8x16 wiring charts | 235 |
| | |
| Appendix L | |
| DSM16 and DSM32 wiring charts | 239 |
| | |
| Appendix M | |
| ASM8, ASM8+, and GASM wiring chart | 243 |
| | |
| Appendix N | |

| | |
|-------------------------------------------|------------|
| Market profile attributes | 245 |
| Interface availability | 245 |
| Analog interfaces | 245 |
| Digital interfaces | 246 |
| Tones and cadences | 247 |
| Core parameters for market profiles | 255 |
| Analog Trunk parameters | 270 |
| GASM8 parameters | 276 |
| GASI parameters | 279 |
| ATA2 parameters | 281 |
| ATA2 DR6 | 281 |
| ATA2 DR7 | 283 |
| Voicemail | 284 |
| ISDN line services | 287 |
| Analog and digital trunk types | 287 |
| Index | 291 |

New in this release

The following sections detail what's new in *Business Communications Manager 50 Installation and Maintenance* for release 5.0.

- [Features](#) on page 19

Features

This release contains no new features.

Regulatory information

For regulatory information about the BCM50 system:

- [“North American regulatory information”](#)
- [“International regulatory information” on page 26](#)

North American regulatory information

This Class A device complies with Part 68 and Part 15 of the FCC Rules and ICES-003 Class A Canadian EMI requirements. Operation is subject to the following two conditions (1) This device may not cause harmful interference and (2) this device must accept any interference received, including interference that may cause undesired operation.

Repairs to certified equipment should be coordinated by a representative designated by the supplier. Any repairs or alterations made by the user to this equipment, or equipment malfunctions, may give the telecommunications company cause to request the user to disconnect the equipment. Users should ensure for their own protection that the electrical ground connections of the power utility, telephone lines, and internal metallic water pipe system, if present, are connected together. This precaution may be particularly important in rural areas.



Caution: Users should not attempt to make such connections themselves, but should contact the appropriate electric inspection authority, or electrician, as appropriate.

Do not attempt to repair this equipment. If you experience trouble, write for warranty and repair information:

USA

Nortel
640 Massman Drive
Nashville, TN, USA
37210

Canada

Nortel Repair Service Centre 30
30 Norelco Drive
Weston Ontario, Canada
M9L 2X6

For warranty and repair service outside the USA or Canada, please contact your distributor.

Canadian Notice

The Industry Canada designation identifies certified equipment. This certification means that the equipment meets telecommunications network protective, operational and safety requirements as prescribed in the appropriate Terminal Equipment Technical Requirements document(s). The Department does not guarantee the equipment will operate to the user's satisfaction.

Federal Communications Commission (FCC) Notice

FCC registration number: This telephone equipment complies with Part 68, Rules and Regulations, of the FCC for connection to the Public Switched Telephone Network.

Your connection to the Public Switched Telephone Network must comply with these FCC rules:

- Before installing this equipment, users should ensure that it is permissible to be connected to the facilities of the local telecommunications company. The equipment must also be installed using an acceptable method of connection. The customer should be aware that compliance with the preceding conditions may not prevent degradation of service in some situations. See installation instructions for details.
- Use only an FCC Part 68-compliant Universal Service Order Code (USOC) network interface jack, as specified in the installation instructions, to connect to the Public Switched Telephone Network.
- If the equipment causes harm to the telephone network, the telephone company will notify you in advance that temporary discontinuance of the product may be required. But if advance notice isn't practical, the telephone company will notify you as soon as possible. You will also be advised of your right to file a complaint with the FCC, if you believe it is necessary.

Ringer Equivalence Number (REN)

The REN provides an indication of the maximum number of terminals allowed to be connected to a telephone interface. The termination on an interface may consist of any combination of devices subject only to the requirement that the sum of the RENs of all the devices does not exceed 5.

EMI/EMC (FCC Part 15)

This equipment has been tested and found to comply with the limits for a Class A digital device, pursuant to Part 15 of the FCC Rules. These limits are designed to provide reasonable protection against harmful interference in a residential installation. This equipment generates, uses and can radiate radio frequency energy and, if not installed and used in accordance with the instructions, may cause harmful interference to radio communications. However, there is no guarantee that interference will not occur in a particular installation. If this equipment does cause harmful interference to radio or television reception, which can be determined by turning the equipment off and on, the user is encouraged to try to correct the interference by one or more of the following measures:

- Reorient or relocate the receiving antenna.
- Increase the separation between the equipment and receiver.
- Connect the equipment into an outlet on a circuit different from that to which the receiver is connected.
- Consult the dealer or an experienced radio/TV technician for help.

Changes or modifications not expressly approved by the party responsible for compliance could void the user's authority to operate the equipment.

Important safety instructions

The following safety instructions cover the installation and use of the Product. Read carefully and retain for future reference.

Installation



Warning: To avoid electrical shock hazard to personnel or equipment damage observe the following precautions when installing telephone equipment:

- Never install telephone wiring during a lightning storm.
- Never install telephone jacks in wet locations unless the jack is specifically designed for wet locations.
- Never touch uninsulated telephone wires or terminals unless the telephone line has been disconnected at the network interface.

Use caution when installing or modifying telephone lines. The exclamation point within an equilateral triangle is intended to alert the user to the presence of important operating and maintenance (servicing) instructions in the literature accompanying the product.

Use

When using your telephone equipment, basic safety precautions should always be followed to reduce risk of fire, electric shock and injury to persons, including the following:

- 1 Read and understand all instructions.
- 2 Follow the instructions marked on the product.
- 3 Unplug this product (or host equipment) from the wall outlet before cleaning. Do not use liquid cleaners or aerosol cleaners. Use a damp cloth for cleaning.
- 4 Do not use this product near water, for example, near a bath tub, wash bowl, kitchen sink, or laundry tub, in a wet basement, or near a swimming pool.
- 5 Do not place this product on an unstable cart, stand or table. The product may fall, causing serious damage to the product.
- 6 This product should never be placed near or over a radiator or heat register. This product should not be placed in a built-in installation unless proper ventilation is provided.
- 7 Do not allow anything to rest on the power cord. Do not locate this product where the cord will be abused by persons walking on it.
- 8 Do not overload wall outlets and extension cords as this can result in the risk of fire or electric shock.
- 9 Never spill liquid of any kind on the product.
- 10 To reduce the risk of electric shock do not disassemble this product, but send it to a qualified service person when some service or repair work is required.

- 11** Unplug this product (or host equipment) from the wall outlet and refer servicing to qualified service personnel under the following conditions:
- a** When the power supply cord or plug is damaged or frayed.
 - b** If the product has been exposed to rain, water or liquid has been spilled on the product, disconnect and allow the product to dry out to see if it still operates; but do not open up the product.
 - c** If the product housing has been damaged.
 - d** If the product exhibits a distinct change in performance.



Caution: To eliminate the possibility of accidental damage to cords, plugs, jacks, and the telephone, do not use sharp instruments during the assembly procedures.



Warning: Do not insert the plug at the free end of the handset cord directly into a wall or baseboard jack. Such misuse can result in unsafe sound levels or possible damage to the handset.

- 12** Save these instructions.

Use of a music source

In accordance with U.S. Copyright Law, a license may be required from the American Society of Composers, Authors and Publishers, or similar organization if Radio or TV broadcasts are transmitted through the Music On Hold or Background Music features of this telecommunication system.

Nortel hereby disclaims any liability arising out of the failure to obtain such a license.

Safety

Business Communications Manager 50 (BCM50) equipment meets all applicable requirements of both the CSA C22.2 No.60950 and UL 60950 Edition 3.



Danger: Risk of shock.

Read and follow installation instructions carefully.

Ensure the BCM50 is not powered and that all telephone/data cables are removed prior to opening the BCM50 unit in the field.

If installation of additional hardware and /or servicing is required, disconnect all telephone cable connections prior to unplugging the BCM50 modules.

Ensure the BCM50 is connected to a wall outlet with a third-wire protective earth connection prior to connecting any telecommunications cables to the BCM50 main unit or expansion units.



Caution: Only qualified persons should service the system.

The installation and service of this hardware is to be performed only by service personnel having appropriate training and experience necessary to be aware of hazards to which they are exposed in performing a task and of measures to minimize the danger to themselves or other persons.

Electrical shock hazards from the telecommunication network and AC mains are possible with this equipment. To minimize risk to service personnel and users, the BCM50 system must be connected to an outlet with a third-wire ground.

Service personnel must be alert to the possibility of high leakage currents becoming available on metal system surfaces during power line fault events near network lines. These leakage currents normally safely flow to Protective Earth ground through the power cord. Therefore, it is mandatory that connection to an earthed outlet is performed first and removed last when cabling to the unit. Specifically, operations requiring the unit to be powered down must have the network connections (central office lines) removed first.

Enhanced 911 configuration



Warning:

Local, state and federal requirements for Emergency 911 services support by Customer Premises Equipment vary. Consult your telecommunication service provider regarding compliance with applicable laws and regulations.

Radio-frequency interference



Warning: Equipment generates RF energy.

This equipment generates, uses, and can radiate radio-frequency energy. If not installed and used in accordance with the installation manual, it may cause interference to radio communications. It has been tested and found to comply with the limits for a Class A computing device pursuant to Part 15 of the FCC Rules and with ICES.003, CLASS A Canadian EMI Requirements. Operation of this equipment in a residential area is likely to cause interference, in which case the user, at his or her own expense, will be required to take whatever measures may be required to correct the interference.

Telecommunication registration

BCM50 equipment meets all applicable requirements of both Industry Canada CS-03 and US Federal Communications Commission (FCC) Part 68 and has been registered under files Industry Canada 332D-5980A and FCC US: AB6KF15B20705 (key system), US: AB6MF15B20706 (hybrid system), and US: AB6PF15B23740 (PBX system). Connection of the BCM50 telephone system to the nationwide telecommunications network is made through a standard network interface jack that you can order from your local telecommunications company. This type of customer-provided equipment cannot be used on party lines or coin lines.



Before installing this equipment, users should ensure that it is permissible to be connected to the facilities of the local telecommunications company. The equipment must also be installed using an acceptable method of connection. The customer should be aware that compliance with the preceding conditions may not prevent degradation of service in some situations.

Repairs to certified equipment should be made by an authorized maintenance facility designated by the supplier. Any repairs or alterations made by the user to this equipment, or equipment malfunctions, may give the telecommunications company cause to request the user to disconnect the equipment. Users should ensure for their own protection that the electrical ground connections of the power utility, telephone lines and internal metallic water pipe system, if present, are connected together. This precaution may be particularly important in rural areas.



Caution: Users should not attempt to make such connections themselves, but should contact the appropriate electric inspection authority, or electrician.

International regulatory information

| | | |
|-----------------------------------------------------------------------------------|---------------------------------------------------------------------------------------------------------------------------------------------------------------------------------------------------------------------------------------------------------|-------------------------------------------------------------------------------------|
|  | <p>The CE Marking on this equipment indicates compliance with the following: This device conforms to Directive 1999/5/EC on Radio Equipment and Telecommunications Terminal Equipment as adopted by the European Parliament And Of The Council.</p> |  |
|-----------------------------------------------------------------------------------|---------------------------------------------------------------------------------------------------------------------------------------------------------------------------------------------------------------------------------------------------------|-------------------------------------------------------------------------------------|

This is a class A product. In a domestic environment this product may cause radio interference in which case the user may be required to take adequate measures.

Hereby, Nortel declares that BCM50 units, with Model No. NT9T61XX, NT9T62XX, NT9T64XX, and NT9T65XX, are in compliance with the essential requirements and other relevant provisions of Directive 1999/5/EC.

Information is subject to change without notice. Nortel reserves the right to make changes in design or components as progress in engineering and manufacturing may warrant. This equipment has been tested and found to comply with the European Safety requirements EN 60950 and EMC requirements EN 55022 (Class A) and EN 55024. These EMC limits are designed to provide reasonable protection against harmful interference when the equipment is operated in a commercial and light industrial environment.



Warning:

This is a class A product. In a domestic environment this product may cause radio interference in which case the user may be required to take adequate measures. The preceding warning is inserted for regulatory reasons. If any customer believes that they have an interference problem, either because their Nortel product seems to cause interference or suffers from interference, they should contact their distributor immediately. The distributor will assist with a remedy for any problems and, if necessary, will have full support from Nortel.

Safety



Warning:

Only qualified service personnel may install this equipment. The instructions in this manual are intended for use by qualified service personnel only.



Warning: Risk of shock.

Ensure the BCM50 is unplugged from the power socket and that any telephone or network cables are unplugged before opening the BCM50.

Read and follow installation instructions carefully



Warning: Only qualified persons should service the system.

The installation and service of this hardware is to be performed only by service personnel having appropriate training and experience necessary to be aware of hazards to which they are exposed in performing a task and of measures to minimize the danger to themselves or other persons.

Electrical shock hazards from the telecommunication network and AC mains are possible with this equipment. To minimize risk to service personnel and users, the BCM50 system must be connected to an outlet with a third-wire Earth.

Service personnel must be alert to the possibility of high leakage currents becoming available on metal system surfaces during power line fault events near network lines. These leakage currents normally safely flow to Protective Earth through the power cord. Therefore, it is mandatory that connection to an earthed outlet is performed first and removed last when cabling to the unit. Specifically, operations requiring the unit to be powered down must have the network connections (exchange lines) removed first.

Additional safety information

The following interfaces (TNV) can be connected to the Public Switched Telephone Network in accordance with Nortel and the local carriers installation requirements:

- BCM50, CSC GATi Ports integrated (Loop Start)
- BCM50, CSC ADSL Port option
- Expansion Unit, Digital Trunk Module (T1/E1/ISDN)
- Expansion Unit, Global Analog Trunk Module 4 and 8 Port (Loop Start)
- Expansion Unit, CTM4/8 (Loop Start)
- Expansion Unit, 4x16 (Loop Start)
- Expansion Unit, G4x16, G8x16 (Loop Start)

- Expansion Unit, BRIM (ST configuration)
- Expansion Unit, ADID4/ADID8 (Direct Inward Dial)
- Expansion Unit R2MFC

The following interfaces are designated as Safety Extra Low Voltage (SELV) and cannot be connected to unprotected plant wiring.

- BCM50, CSC Page Port
- BCM50, CSC Auxiliary Ringer Port
- BCM50, CSC Music On-Hold Port.
- BCM50, CSC Relay Port
- BCM50, CSC USB Port
- BCM50, CSC Ethernet Port including optional Ethernet Hub Ports

ITU standardization compliance

The following list provides voice/data applications and telephony support for BCM50 3.0:

- G.711 and G.729AB codecs
- V.27ter, V.29, and V.17 data modem modulation supported (T.38 fax control gateway)
- G3 fax
- T512.1 (Type 1 Receiver DTMF)
- G.168
- H.323
- Q.931

Chapter 1

Getting started

About this guide

The *BCM50 Installation and Maintenance Guide* describes how to install, configure, and maintain the Business Communications Manager 50 Release 3.0 (BCM50 3.0) systems.

The concepts, operations, and tasks described in this guide relate to the hardware of the BCM50 system. This guide provides task-based information about installing the hardware components and performing basic configuration tasks.

Use Nortel Business Element Manager, Startup Profile, and Telset Administration to configure various BCM50 parameters.

In brief, the information in this guide explains:

- installing hardware components
- starting and initializing the system
- replacing components
- testing the system

Audience

The *BCM50 Installation and Maintenance Guide* is directed to installers who install, configure, and maintain BCM50 3.0 systems.

To use this guide, you must:

- be an authorized BCM50 3.0 installer or administrator within your organization
- know basic Nortel BCM50 terminology
- be knowledgeable about telephony and IP networking technology

Acronyms

The following is a list of acronyms used in this guide.

Table 1 Acronyms (Sheet 1 of 3)

| Acronym | Description |
|---------|---------------------------|
| ACU | Audio conference unit |
| AIS | Alarm indication system |
| APC | American Power Conversion |

Table 1 Acronyms (Sheet 2 of 3)

| Acronym | Description |
|----------------|-----------------------------------------------------------------------|
| ASM | Analog station module (analog station media bay module) |
| ATA | Analog terminal adapter |
| BCM | Business Communications Manager |
| BRI | Basic rate interface |
| BRI CNIC | Basic rate interface compact network interface card |
| BRIM | Basic rate interface module (basic rate interface media bay module) |
| CAP | Central answering position |
| CFA | Carrier failure alarm |
| CLID | Calling line identification |
| CNIC | Compact network interface card |
| CO | Central office |
| CSU | Channel service unit |
| CTM | Caller ID trunk module (caller ID trunk media bay module) |
| DDIM | Digital drop and insert MUX |
| DECT | Digital enhanced cordless telecommunications |
| DHCP | Dynamic host configuration protocol |
| DIMM | Dual in-line memory module |
| DMC | Digital mobility controller |
| DSM | Digital station module (digital station media bay module) |
| DSP | Digital signal processor |
| DSU | Data service unit |
| DTE | Data terminal equipment |
| DTM | Digital trunk module (digital trunk media bay module) |
| FEM | Fiber expansion module |
| FRU | Field replaceable unit |
| GASM | Global analog station module (global analog station media bay module) |
| GATM | Global analog trunk module (global analog trunk media bay module) |
| KEM | Key expansion module |
| KIM | Key indicator module |
| KRS | Keycode retrieval system (Nortel keycode retrieval system) |
| LAN | Local area network |
| LIU | Line isolation unit |
| MBM | Media bay module |
| MSC | Media services card |
| MWI | Message waiting indication |
| NIC | Network interface card |
| ONS | on-premise station |

Table 1 Acronyms (Sheet 3 of 3)

| Acronym | Description |
|---------|--------------------------------------|
| OSI | Open switch interval |
| PCI | Peripheral component interface |
| PEC | Processor expansion card |
| PSTN | Public switched telephone network |
| PSU | Power supply unit |
| QoS | Quality of service |
| RAI | Remote alarm indication |
| RAID | Redundant array of independent disks |
| REN | Ringer equivalence number |
| RFO | Redundant feature option |
| RMS | Root mean square |
| RPS | Redundant power supply |
| SAPS | Station auxiliary power supply |
| SELV | Safety extra low voltage |
| SSD | System status display |
| UPS | Uninterruptable power supply |
| USB | Universal serial bus |
| VMWI | Visual message waiting indicator |
| VoIP | Voice over Internet protocol |
| WAN | Wide area network |

Symbols and text conventions

These symbols highlight critical information for the BCM50 3.0 system.



Caution: Alerts you to conditions where you can damage the equipment.



Danger: Alerts you to conditions where you can get an electrical shock.



Warning: Alerts you to conditions where you can cause the system to fail or work improperly.



Note: Alerts you to important information.



Tip: Alerts you to additional information that can help you perform a task.



Security Note: Indicates a point of system security where you can change a default, or where the administrator must decide on the level of security required for the system.



Warning: Alerts you to ground yourself with an antistatic grounding strap before performing the maintenance procedure.



Warning: Alerts you to remove the BCM50 main unit and expansion unit power cords from the AC outlet before performing any maintenance procedure.

These conventions and symbols represent the Business Series Terminal display and.

| Convention | Example | Used for |
|-----------------------------------------------------------------------------------------------|--------------|-----------------------------------------------------------------------------------------------------------------------|
| Word in a special font (shown in the top line of the display) | Pswd: | Command line prompts on display telephones. |
| Underlined word in capital letters (shown in the bottom line of a two-line display telephone) | <u>PLAY</u> | Display options on two-line display telephones. Press the button directly below the option on the display to proceed. |
| Dialpad buttons | # | Buttons you press on the dialpad to select a particular option. |

These text conventions are used in this guide to indicate the information described:

| Convention | Description |
|---------------------|---------------------------------------------------------------------------------------------------------------------------------------------------------------|
| Courier text | Indicates command names, options, and text that you must enter. Example: Use the info command. Example: Enter show ip {alerts routes} . |
| <i>italic text</i> | Indicates book titles. |

| Convention | Description |
|-------------------------------------------------|-----------------------------------------------------------------------------------------------------------------------------|
| plain Courier text | Indicates command syntax and system output (for example, prompts and system messages). Example: Set Trap Monitor Filters |
| FEATURE HOLD RELEASE | Indicates that you press the button with the corresponding icon on the telephone you are using. |

Related publications

This section provides a list of additional documents referred to in this guide. Two publication types are available: [Technical Documents](#) on page 33 and [User Guides](#) on page 34.

Technical Documents

System Installation

BCM 5.0 Upgrade Guide

Installation Checklist and Quick Start Guide

Keycode Installation Guide

R2MFC Media Bay Module Installation and Configuration Guide (NN40010-300)

System Programming

Administration Guide

Device Configuration Guide

Networking Configuration Guide

Telset Administration Guide

Telephones and Peripherals

Telephony Device Installation Guide

Digital Mobility

DECT Deployment and Demonstration Tool

Digital Mobility System Installation and Configuration Guide (NN40010-302)

T7406 Cordless Handset Installation Guide (NN40110-300)

IP Telephony

WLAN IP Telephony Installation and Configuration Guide (NN40050-301)

Call Pilot

CallPilot Manager Set Up and Operation Guide

CallPilot Telephone Administration Guide

User Guides

There are no references to specific user guides.

How to get help

This section explains how to get help for Nortel products and services.

Getting Help from the Nortel Web site

The best way to get technical support for Nortel products is from the Nortel Technical Support Web site:

<http://www.nortel.com/support>

This site provides quick access to software, documentation, bulletins, and tools to address issues with Nortel products. More specifically, the site enables you to:

- download software, documentation, and product bulletins
- search the Technical Support Web site and the Nortel Knowledge Base for answers to technical issues
- sign up for automatic notification of new software and documentation for Nortel equipment
- open and manage technical support cases

Getting Help over the phone from a Nortel Solutions Center

If you don't find the information you require on the Nortel Technical Support Web site, and have a Nortel support contract, you can also get help over the phone from a Nortel Solutions Center.

In North America, call 1-800-4NORTEL (1-800-466-7835).

Outside North America, go to the following Web site to obtain the phone number for your region:

<http://www.nortel.com/callus>

Getting Help from a specialist by using an Express Routing Code

To access some Nortel Technical Solutions Centers, you can use an Express Routing Code (ERC) to quickly route your call to a specialist in your Nortel product or service. To locate the ERC for your product or service, go to:

<http://www.nortel.com/erc>

Getting Help through a Nortel distributor or reseller

If you purchased a service contract for your Nortel product from a distributor or authorized reseller, contact the technical support staff for that distributor or reseller.

Chapter 2

Introducing the BCM50 hardware

The Business Communications Manager 50 Release 3.0 (BCM50 3.0) provides private network and telephony management capability to small- and medium-sized businesses.

The BCM50 system:

- integrates voice and data capabilities, IP Telephony gateway functions, and data-routing features into a single telephony system
- provides telephony applications for use in a business environment
- provides a DHCP enhancement feature for the main units with integrated router

For information about the BCM50 hardware components:

- [Main units](#) on page 37
- [BCM50 Expansion unit and media bay modules](#) on page 42
- [BCM50 hardware](#) on page 52
- [BCM50 components](#) on page 54
- [Field-replaceable units](#) on page 59

Main units

The primary hardware component in the BCM50 system is the main unit. The six BCM50 main units are divided into two series: standard and basic rate interface (BRI). The BRI (or b) series main units include BRI ports that replace the four analog lines (on the RJ-21 telephony connector) on the standard series.



Note: The generic term “main unit,” used throughout this document, refers to any of the six main units (BCM50, BCM50a, BCM50e, BCM50b, BCM50ba, and BCM50be) available for a BCM50 system.

To indicate features specific to a particular variation of main unit, that variation of main unit is clearly identified (for example, BCM50ba).

- **Standard series**

- **BCM50 main unit (with Telephony only)**

The BCM50 main unit provides call processing and simple data networking functions. It provides connections for 12 digital telephones, 4 (PSTN) lines, 4 analog station ports, and 4 connections for auxiliary equipment (auxiliary ringer, page relay, page output, and music source). The BCM50 main unit has no router, but it has 4 LAN ports: one is the OAM port for technicians, and the other three are for basic LAN connectivity. See the figure [BCM50 main unit ports and connectors](#) on page 39.

- **BCM50a main unit (with ADSL router)**

The BCM50a main unit provides all the same core functionality as the BCM50 main unit, and it has an integrated ADSL router for advanced data applications. For detailed configuration information, see the *BCM50a Integrated Router Configuration Guide*. See the figure [BCM50a main unit ports and connectors](#) on page 39.
- **BCM50e main unit (with Ethernet router)**

The BCM50e main unit provides all the same core functionality as the BCM50 main unit, and it has an integrated Ethernet router for advanced data applications. For detailed configuration information, see the *BCM50e Integrated Router Configuration Guide*. See the figure [BCM50e main unit ports and connectors](#) on page 39.
- **BRI series (b series)—available only in EMEA and APAC regions**
 - **BCM50b main unit**

The BCM50b main unit provides similar functionality to the BCM50 main unit. The difference is that the BCM50b main unit has two integrated BRI ports replacing the four analog lines on the RJ-21 telephony connector. See the figure [BCM50b main unit ports and connectors](#) on page 40.
 - **BCM50ba main unit (with ADSL router)**

The BCM50ba main unit provides similar functionality to the BCM50a main unit. The difference is that the BCM50ba main unit has two integrated BRI ports replacing the four analog lines on the RJ-21 telephony connector. For detailed configuration information, see the *BCM50a Integrated Router Configuration Guide*. See the figure [BCM50ba main unit ports and connectors](#) on page 40.
 - **BCM50be main unit (with Ethernet router)**

The BCM50be main unit provides similar functionality to the BCM50e main unit. The difference is that the BCM50be main unit has two integrated BRI ports replacing the four analog lines on the RJ-21 telephony connector. For detailed configuration information, see the *BCM50e Integrated Router Configuration Guide*. See the figure [BCM50be main unit ports and connectors](#) on page 40.

For descriptions of the main unit ports and connectors, see the table [Main unit ports/connectors and descriptions](#) on page 41.

A main unit contains the following field-replaceable units:

- 1 programmed hard disk
- 1 cooling fan
- 1 router card (BCM50a and BCM50e only)

Figure 1 BCM50 main unit ports and connectors

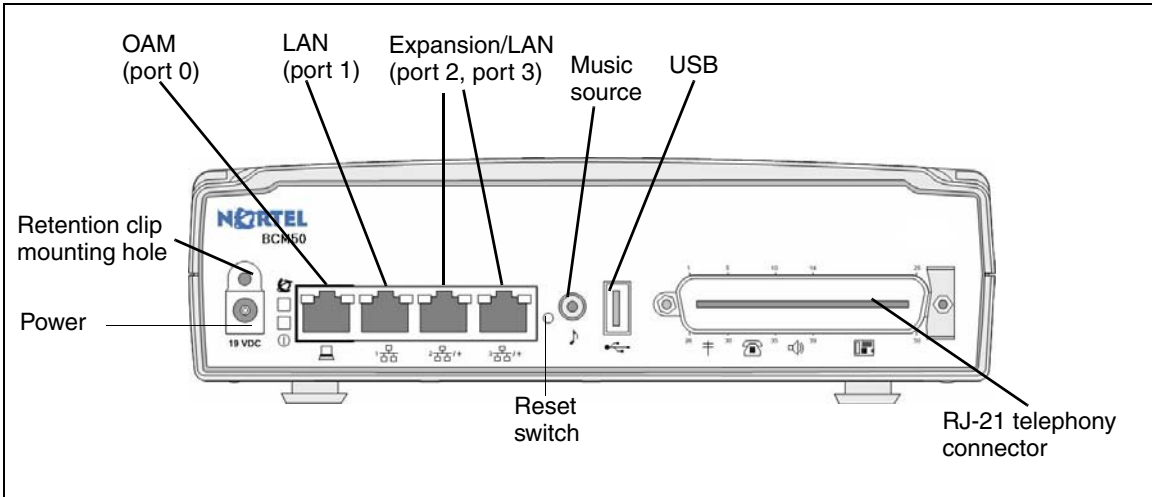


Figure 2 BCM50a main unit ports and connectors

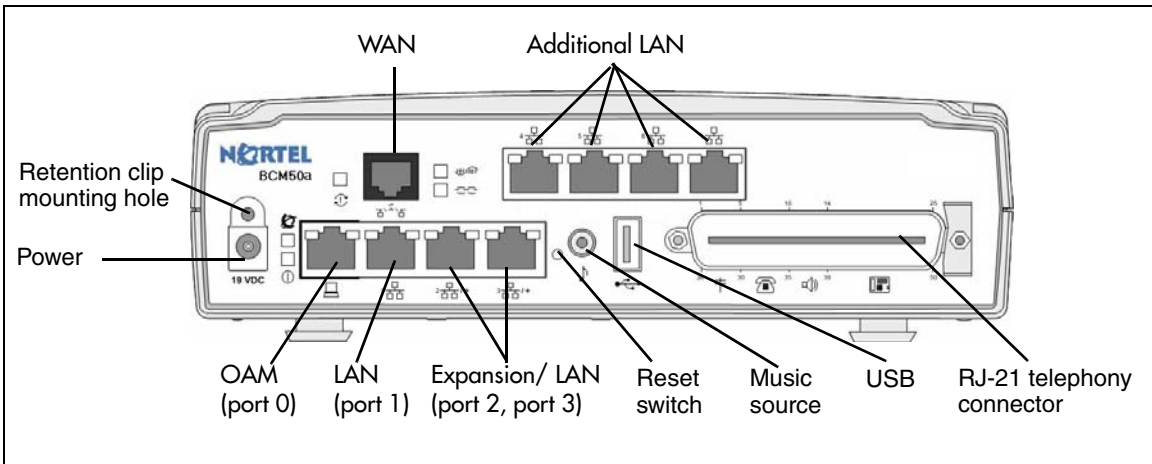


Figure 3 BCM50e main unit ports and connectors

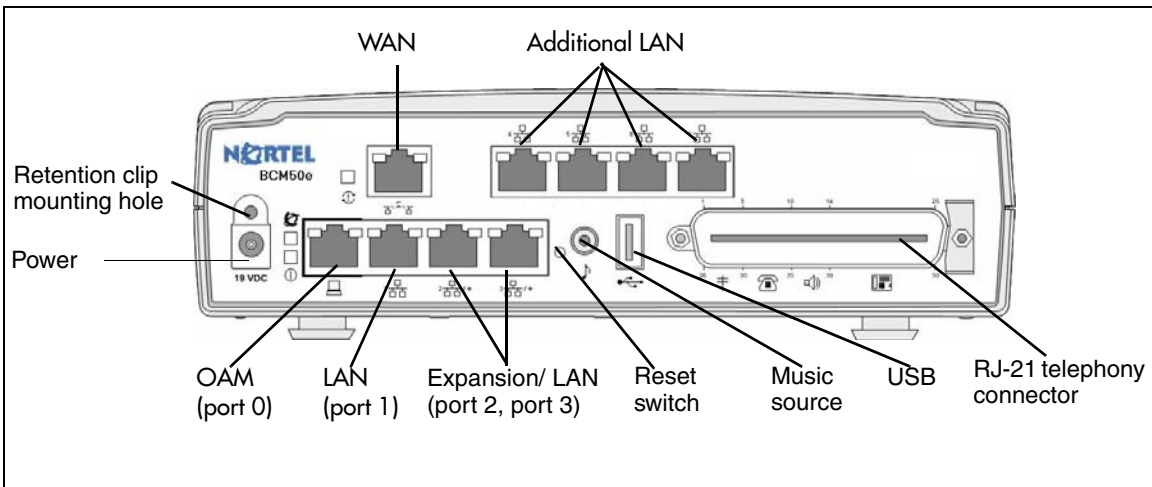


Figure 4 BCM50b main unit ports and connectors

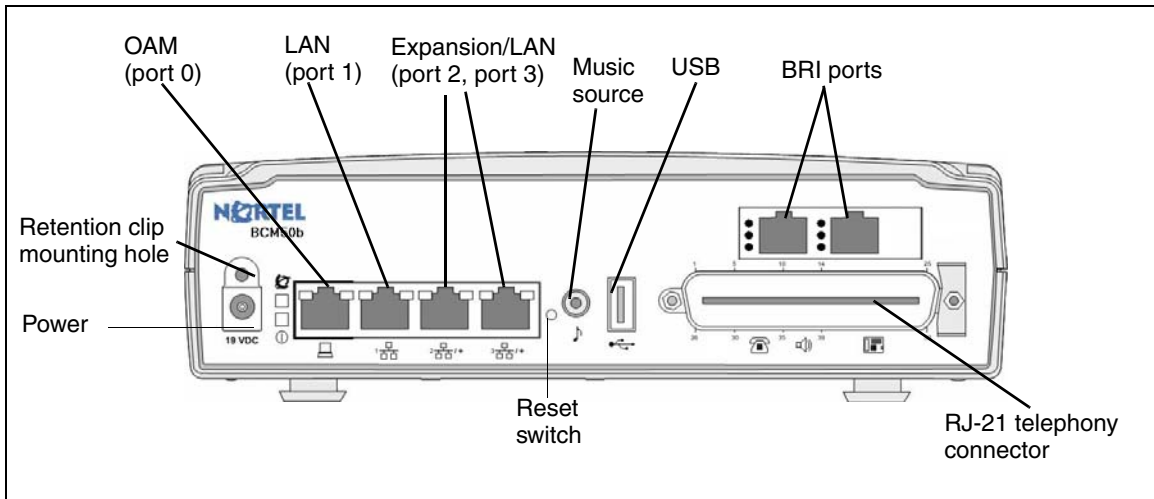


Figure 5 BCM50ba main unit ports and connectors

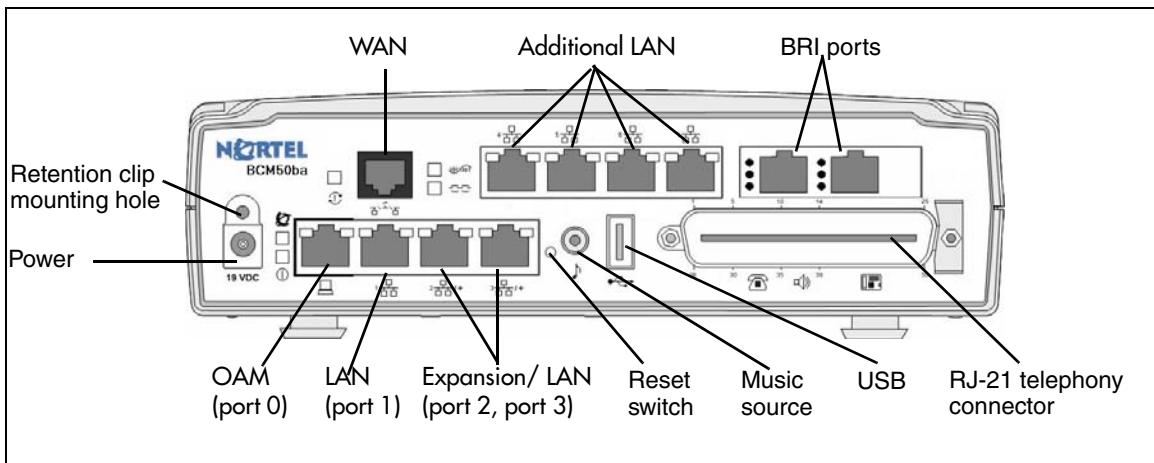


Figure 6 BCM50be main unit ports and connectors

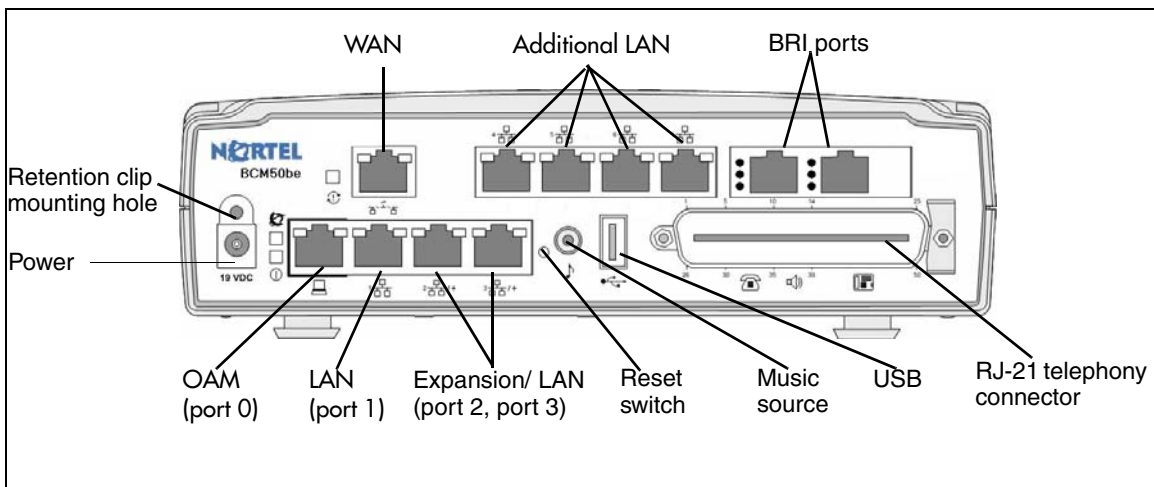


Table 1 Main unit ports/connectors and descriptions

| Port/connector | Description |
|------------------------------------------------|----------------------------------------------------------------------------------------------------------------------------------------------------------------------------------------------------------------------------------------------------------------------------------------------------------------------------------------------------------------------------------------------------------------------------------------------------------------------------------------------------------------------------------------------------------------------------------------------------------------------------------------------------------------------|
| Power connector | A barrel connector jack used to connect the power supply to the main unit. |
| Retention clip mounting hole | A small hole into which you insert the retention clip. The retention clip secures the power connector to the unit. |
| OAM port (port 0) | An RJ-45 jack used to connect a computer running administration software, such as Element Manager, to the main unit. |
| LAN port (port 1) | An RJ-45 jack used to connect the customer LAN to the main unit. |
| Expansion/LAN ports (ports 2 and 3) | Two RJ-45 jacks used to connect the expansion units to the main unit. The expansion ports can also provide connections to the Ethernet switch internal to the main unit. If the BCM50 system has no expansion units connected to these ports, you can use the expansion/LAN ports to connect additional devices to the LAN. Note: Activate the feature for the expansion ports by selecting this feature when you generate your keycode. If you purchase only one expansion port feature, the expansion port on the left (port 2) is active. |
| WAN port (BCM50a and BCM50e only). | For BCM50a: An RJ-11 jack used to connect the BCM50a main unit to the ADSL line provided by your Internet service provider (ISP). For BCM50e: An RJ-45 jack used to connect the BCM50e to the Ethernet port of a WAN edge device (for example, an external ADSL modem or cable modem). Note: This port is not available on the BCM50 main unit. |
| Additional LAN ports (BCM50a and BCM50e only). | Four RJ-45 jacks that provide connections to the Ethernet switch in the BCM50a and BCM50e main units. You can use these ports to connect additional devices to the LAN. Note 1: These ports are not available on the BCM50 main unit. Note 2: The BCM50 Release 1 hardware has three additional LAN (RJ-45) ports. |
| BRI ports (BCM50b series only). | Two RJ-45 jacks that provide connections for BRI trunks from the Public Switched Telephone Network (PSTN). On the BCM50b series main units, the four analog lines on the RJ-21 telephony connector are not available. Note: The BRI ports feature is activated by selecting this feature when you generate your keycode. If you do not purchase this feature, the BRI ports are unavailable. |
| Reset switch | A button to activate the reset feature. Use a long thin tool to press the button. Warning: The reset feature erases programming information; use the feature with care. |
| Music source port | A phono jack used to connect a music source to the main unit. If you use this port, the music source connections on the RJ-21 telephony connector are disabled. |
| USB port | A USB 1.1-compatible port used to connect a USB storage device or the data interface for an uninterruptable power supply (UPS) to the main unit. The main unit uses the data interface for the UPS to monitor and control the UPS functions. To connect both a USB storage device and a UPS data interface, an industry-standard USB hub (USB 1.1-compatible) is required. Note: You must format the USB storage device for the FAT32 file system. If necessary, reformat the USB storage device by plugging it into a USB port on your computer, right-clicking the USB device icon, and selecting FAT32 reformatting. This destroys any data on the USB. |
| RJ-21 telephony connector | An RJ-21 port used to connect telephony devices to the main unit. The four analog lines on the RJ-21 telephony connector are available only with the Standard series main units. The BRI series main units include onboard BRI ports instead of the analog lines. |



Warning: External equipment connected to the auxiliary ringer, page relay, page output, and music-on-hold interfaces must use safety extra low voltage (SELV). All four interfaces are SELV, and the external equipment connected to these interfaces must be SELV. If these interfaces are not SELV, you must use external line isolation units (LIU).

BCM50 Expansion unit and media bay modules

In addition to a main unit, the BCM50 system can have up to two BCM50 expansion units. An expansion unit connects to the main unit and provides additional functionality. For expansion unit port locations and descriptions, see the figure [BCM50 expansion unit connections](#) on page 42 and the table [BCM50 expansion unit ports, connectors, and descriptions](#) on page 42.

The BCM50 expansion unit accommodates one media bay module (MBM) that connects additional telephony equipment to the BCM50 system. The MBMs connect with external devices to implement various types of voice trunks and stations. For a list of trunk and station MBMs that can be used with your BCM50 system, see the table [Trunk MBMs](#) on page 45 and the table [Station MBMs](#) on page 47. For a complete list of MBMs with links to additional information, see also the table [Media bay modules](#) on page 59.

Ensure that the MBM dip switches are set correctly (see [Verifying the media bay module switch settings](#) on page 98).

Figure 7 BCM50 expansion unit connections

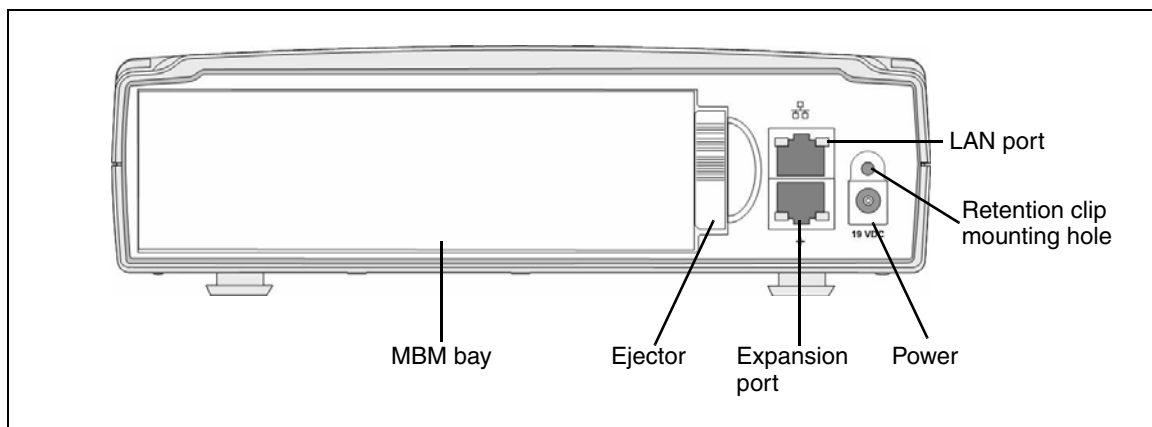


Table 2 BCM50 expansion unit ports, connectors, and descriptions (Sheet 1 of 2)

| Port/connector | Description |
|-------------------|-------------------------------------------------------------------------------------------------------------------------------------------------------------------------------------------------------------------------------------------------------|
| LAN port (port 1) | An RJ-45 jack used to connect the customer LAN to the main unit. The LAN port on the expansion unit connects to the internal Ethernet switch on the main unit. You can use the expansion unit LAN port to connect an additional device to the LAN. |
| Power connector | A barrel connector jack used to connect the power supply to the expansion unit. |

Table 2 BCM50 expansion unit ports, connectors, and descriptions (Sheet 2 of 2)

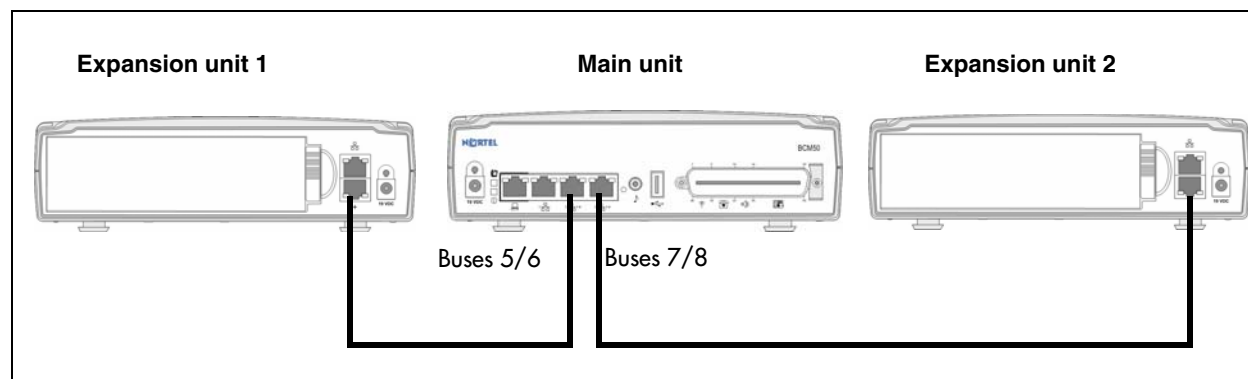
| Port/connector | Description |
|------------------------------|------------------------------------------------------------------------------------------------------------------------------|
| Retention clip mounting hole | A small hole into which you insert the retention clip. The retention clip secures the power connector to the expansion unit. |
| Expansion port | An RJ-45 jack used to connect the expansion unit to the main unit. |
| Ejector | The ejector is used to remove the media bay module from the expansion unit. |
| MBM bay | A slot into which you install an MBM. |

To connect an MBM to the BCM50 system, you must install the MBM in the expansion unit, and then connect the expansion unit to the main unit. See [Installing an expansion unit](#) on page 97 for more information about installing an expansion unit.



Warning: Make sure you disconnect the power supply to the expansion unit before inserting or removing an MBM.

The supplied Ethernet cable (shielded) connects the expansion port on the expansion unit to one of the two expansion ports on the main unit. See the figure [Expansion unit and expansion connectors](#) on page 43. Expansion unit 1 maps to buses 5/6 (port 2), while expansion unit 2 maps to buses 7/8 (port 3).

Figure 8 Expansion unit and expansion connectors

The LAN port on the expansion unit is connected to the internal Ethernet switch on the main unit. You can use the expansion unit LAN port to connect an additional device to the LAN.



Note: When you plug an expansion unit into the correct port on the main unit, the LEDs on the expansion unit port light, while the LEDs on the main unit port turn off.



Note: When generating your keycode, you must select the feature for the expansion ports you require. If your keycode contains the feature for one expansion port only, the expansion port on the left (port 2) is active.

Media bay modules

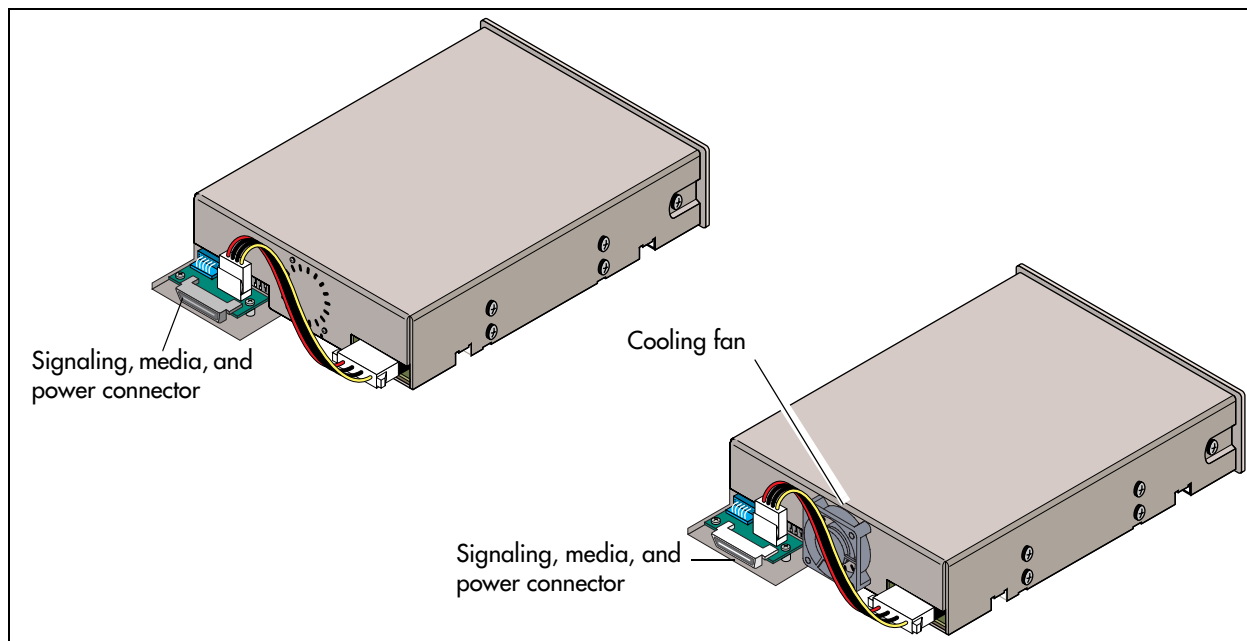
The media bay modules (MBM) connect with external devices to implement various types of voice trunks and extensions. You can install one MBM in an expansion unit and you can connect up to two expansion units to the BCM50 system.



Note: To determine which media bay modules and which types of trunk lines are available in your location, see [Interface availability](#) on page 245.

The back of the MBM has a single connector that provides signaling channels, media channels, and power to the MBM. This connector plugs into the MBM backplane in the expansion unit. Some MBMs also have a cooling fan that operates using the MBM power source. The figure [Media bay module connectors \(rear view\)](#) on page 44 shows the rear views of the two types of MBMs.

Figure 9 Media bay module connectors (rear view)



Trunk media bay modules

Trunk media bay modules connect telecommunications lines to the BCM50 system.

The table [Trunk MBMs](#) on page 45 lists the types of trunk media bay modules that are available for the BCM50 system.

Table 3 Trunk MBMs

| Module type | Function | Special notes |
|-----------------------------------------------------------------------------------------------|---------------------------------------------------------------------------------------------------------------|----------------------------------------------------------------------------------------------------------------------------|
| DTM (see Digital trunk media bay module on page 45) | Connects digital public switched telephone lines to the BCM50 3.0 system. | Can connect to T1 or PRI-E1/T1 interfaces. |
| BRIM (see Basic rate interface media bay module on page 46) | Connects a maximum of four ISDN BRI S/T interfaces. | — |
| GATM4/GATM8 (see Global Analog Trunk Module on page 46) | Connects either four (GATM4) or eight (GATM8) analog public switched telephone lines to the BCM50 3.0 system. | — |
| ADID4/ADID8 (see Analog direct inward dialing media bay module on page 47) | Connects either four (ADID4) or eight (ADID8) analog DID interfaces. | — |
| R2MFC | Provides MFC-R2 connectivity over an E1 trunk. | For details about the R2MFC MBM, see the <i>R2MFC Media Bay Module Installation and Configuration Guide</i> (NN40010-300). |

Note: See [Market profile attributes](#) on page 245 for supported regions.

Digital trunk media bay module

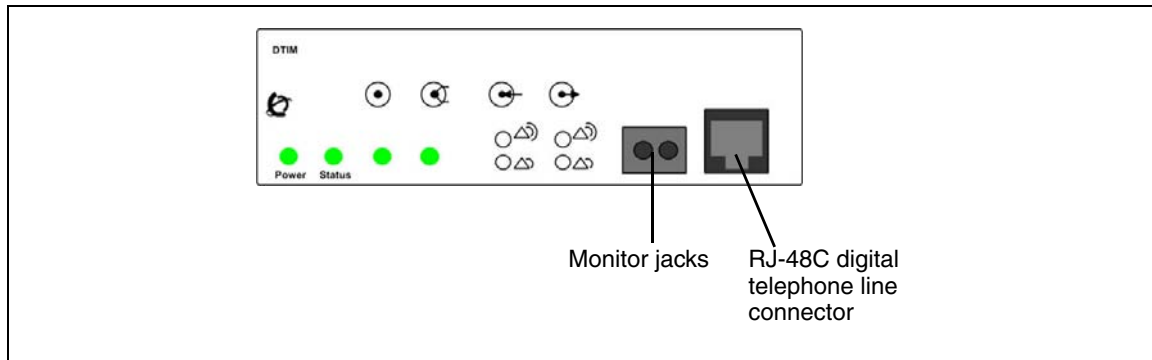
The digital trunk media bay module (DTM) connects to a standard digital PSTN T1 or E1 carrier:

- On North American BCM50 systems, the DTM connects a T1 (24 channel) or PRI (23 channel) circuit to the BCM50. This PRI interface supports the NI-2 and MCDN protocol variants.
- On International BCM50 systems, the DTM connects a 30 channel PRI, DASS2, or DPNSS circuit to the BCM50. This PRI interface supports the ETSI Euro, ETSI QSIG, and MCDN protocol variants.

The front bezel of the DTM has an RJ-48C connector that connects the DTM to the service provider connection point. The faceplate also has a set of monitor jacks you can use to monitor the span.

Six additional LEDs are on the front of the DTM. For information about these additional LEDs, see [DTM LEDs](#) on page 68.

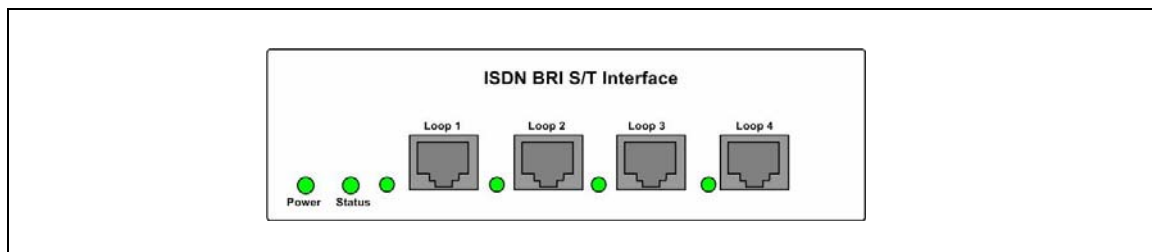
The figure [DTM faceplate](#) on page 46 shows the DTM module interfaces.

Figure 10 DTM faceplate

Basic rate interface media bay module

The basic rate interface media bay module (BRIM) connects a maximum of four BRI ISDN loops to the BCM50 system. The BRIM recognizes only the T-interface used in European networks. To use the BRIM with the U-interface, typical in North American networks, you require an external NT1 box to convert the U-interface to a T-interface.

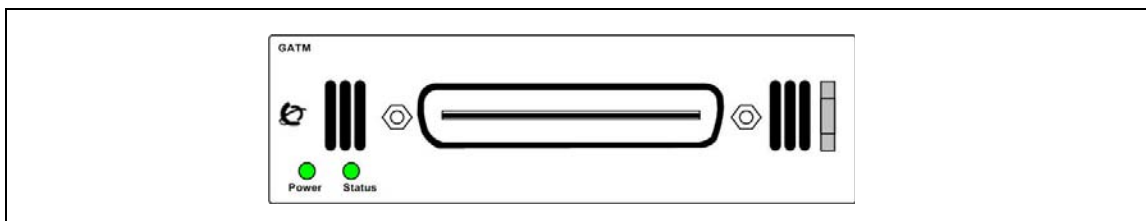
Each BRI ISDN loop you connect adds two telephone lines to the BCM50 system. Therefore, each BRIM adds a maximum of eight lines to the BCM50 system through the four RJ-48C jacks on the faceplate. The LEDs beside each RJ-48C jack are on when the ISDN line is active. The figure [BRIM faceplate](#) on page 46 shows the BRIM faceplate LEDs and connections.

Figure 11 BRIM faceplate

Global Analog Trunk Module

The Global Analog Trunk Module (GATM) provides an interface for four or eight analog public switched telephone network lines. This module supports both pulse and tone dialing, as well as Caller ID and Disconnect Supervision in selected markets throughout the world.

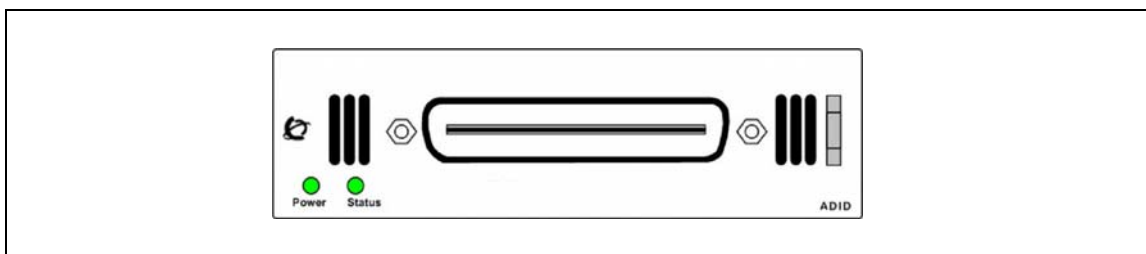
The GATM uses an RJ-21 connector as the trunk interface. The figure [GATM faceplate](#) on page 47 shows the GATM faceplate LEDs and RJ-21 connector. The module is available either in four-port (GATM4) or eight-port (GATM8) configurations.

Figure 12 GATM faceplate

Analog direct inward dialing media bay module

The analog direct inward dialing (ADID) MBM provides an interface for four or eight analog public switched telephone network (PSTN) lines. The ADID MBM supports both pulse and tone dialing as well as disconnect supervision, and direct inward dialing call progress signaling as described in standard TIA-464C.

The ADID MBM uses an RJ-21 connector for trunk connections. The figure [ADID faceplate](#) on page 47 shows the ADID faceplate LEDs and connectors. The ADID is available either in four-port (ADID4) or eight-port (ADID8) configurations.

Figure 13 ADID faceplate

Station media bay modules

Station MBMs connect telephones and analog telecommunication devices to the BCM50 system.

The table [Station MBMs](#) on page 47 lists the available station media bay modules.

Table 4 Station MBMs (Sheet 1 of 2)

| Module type | What it does | Special Notes |
|------------------------------------------------------------------------------------------------------|-----------------------------------------------------------------------------------------------------------------------------------------------------------------|---------------|
| DSM16+/ DSM32+ (see Digital station media bay module on page 48) | Connects a maximum of 16 (DSM16+) or 32 (DSM32+) digital telephones to the BCM50 system. | — |
| 4x16 Combination of a CTM4 and a DSM16 (see 4x16 media bay module on page 48) | Connects a maximum of four analog public switched telephone lines to the BCM50 system. Also connects a maximum of 16 digital telephones to the BCM50 system. | — |

Table 4 Station MBMs (Sheet 2 of 2)

| Module type | What it does | Special Notes |
|------------------------------------------------------------------------------------------------------------------------------|---------------------------------------------------------------------------------------------------------------------------------------------------------------------------------------------------------------------------------------------------------------------|---------------|
| G4x16/G8x16 Combination of a GATM4/GATM8 and a DSM16 (see G4x16 and G8x16 media bay module on page 49) | Connects a maximum of four (G4x16) or eight (G8x16) analog public switched telephone lines to the BCM50 system. Also connects a maximum of 16 digital telephones to the BCM50 system. | — |
| GASM (ASM8) (see Analog station media bay modules on page 49) | Connects a maximum of eight analog devices to the BCM50 system. This module provides the following additional services: caller ID, pass through, message waiting indication, and disconnect supervision at the telephone. This module downloads new firmware. | — |

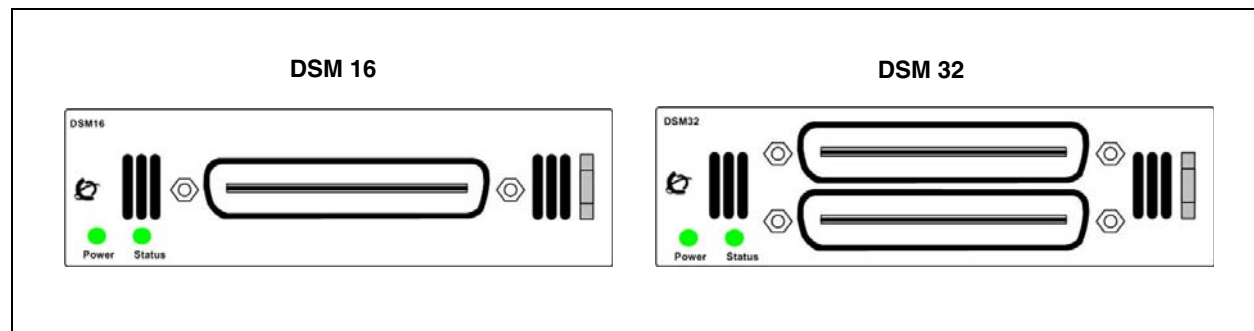
Note: See [Market profile attributes](#) on page 245 for supported regions.

Digital station media bay module

The digital station media bay modules (DSM) support digital telephones on the BCM50 system. This section describes the DSM16+ and DSM32+ media bay modules. See the figure [DSM faceplate LEDs and connectors](#) on page 48.

The digital station media bay modules have the following characteristics:

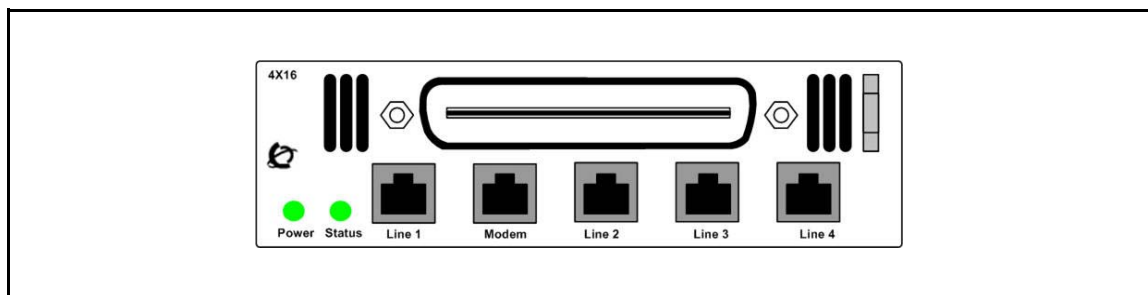
- DSM16+—supports 16 digital telephones through one RJ-21 connector.
- DSM 32+—supports 32 digital telephones through two RJ-21 connectors.

Figure 14 DSM faceplate LEDs and connectors

4x16 media bay module

The 4x16 MBM provides both analog trunk connections and digital telephone connections. This MBM provides connections for four analog trunk lines and 16 digital telephones. Each of the four analog trunk lines support Caller ID and disconnect supervision. You can use an analog telephony device, such as a modem, fax, or telephone to share the trunk through the Aux port beside Line 1.

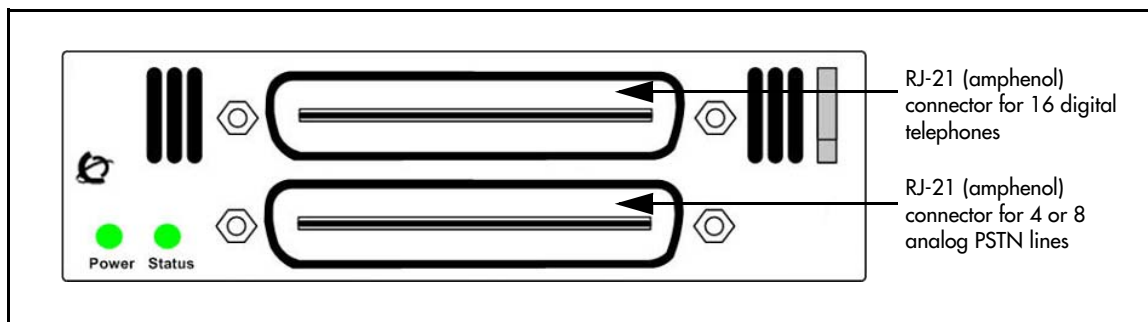
The figure [4x16 faceplate LEDs and connectors](#) on page 49 shows the 4x16 MBM. The 4x16 MBM has one RJ-21 connector and five RJ-11 connectors on the faceplate.

Figure 15 4x16 faceplate LEDS and connectors

G4x16 and G8x16 media bay module

The G4x16 MBM is a combination of GATM4 and DSM16 MBMs, while the G8x16 is a combination of GATM8 and DSM16 MBMs.

The figure [G4x16/G8x16 faceplate LEDS and connectors](#) on page 49 shows the G4x16/G8x16 MBM faceplate with two RJ-21 (amphenol) connectors. The upper RJ-21 (amphenol) connector connects 16 digital telephones to the system, while the lower RJ-21 (amphenol) connector connects 4 or 8 analog PSTN lines with pulse and tone dialing, caller ID, and disconnect supervision in selected markets.

Figure 16 G4x16/G8x16 faceplate LEDS and connectors

Analog station media bay modules

The analog station media bay modules (ASM8, ASM8+, and GASM) can connect to a maximum of eight analog telecommunication devices. These devices are standard analog telephones, cordless telephones, fax machines, answering machines, or modems. The maximum speed for a modem connection is 28.8 Kb/s.

In addition to ASM8 features, the ASM8+ and GASM offer the following features:

- Visual Message Waiting Indicator (VMWI): LED indicates to the end user that a message is waiting.
- Caller ID: provides the name, phone number, and other information about the caller to the end user at the start of the call.
- Firmware downloading capability: The core can upgrade the ASM8+ and GASM firmware at customer sites.

- Enhanced ringing capability: ASM8+ and GASM provide a ringing voltage of 2 REN/65 V rms per port.
- The GASM8 is designated as an on-premise station (ONS) port. This device provides telecommunications ringing voltages and can be configured to provide voltage message waiting indicator (VMWI) voltage levels. Installation of this device and all connections to this device must be performed by qualified telecommunications service personnel who are aware of the hazards associated with telecommunications wiring and are aware of the local regulations for treatment of telecommunications wiring for ONS deployment.
- Disconnect supervision (Open Switch Interval (OSI) as per EIA/TIA 464): indicates to the attached device, in an established communication, that the connected device releases the call.

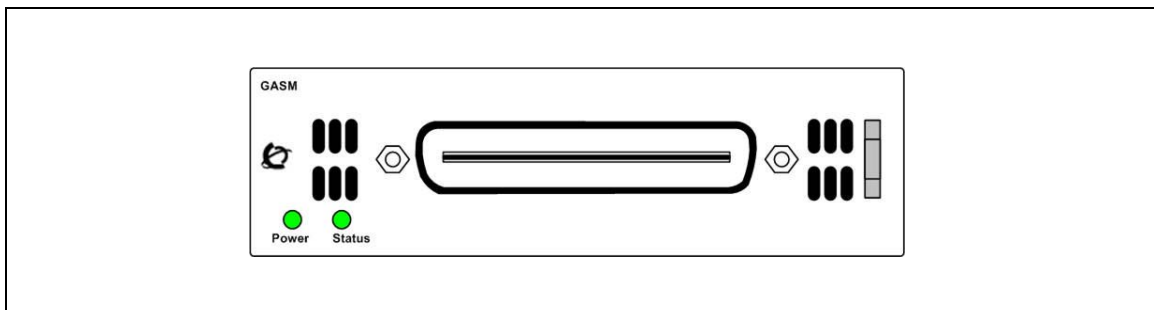


Disconnect supervision note: When disconnect happens from the Central Office (CO), the ASM8+ provides an open switch interval (OSI) to the off-hook station of 850 milliseconds (ms) (TIA/EIA 464 section 5.4.10.2.4, minimum is 600 ms) as a disconnect signal. If the station remains on-hook after the disconnect signal, the ASM8+ disconnects the station equipment from the network without returning a tone (TIA/EIA 464 section 5.4.10.2.5[1]). After the station equipment goes on-hook, the ASM8+ station interface is restored to on-hook (idle).

You must ensure the device, application, or interface card connected to an ASM8+ station interface conforms to these on-hook and off-hook conditions.

The ASM8, ASM8+, and GASM each has one RJ-21 connector on the faceplate. The figure [GASM faceplate LEDs and connectors](#) on page 50 shows the GASM.

Figure 17 GASM faceplate LEDs and connectors



The ringer equivalency number (REN) (per port) for ASM8 is 1; the REN for ASM8+ and GASM is 2.



Note: The termination of the analog interface can consist of any combination of devices, subject only to the requirement that the sum of the RENs of all the devices does not exceed the REN of the interface to which the device is connected.

The table [ATA2, ASM8, ASM8+, GASM, and GASI analog device specifications](#) on page 51 shows the specifications for ATA2, ASM8, GASM, and GASI.

Table 5 ATA2, ASM8, ASM8+, GASM, and GASI analog device specifications (Sheet 1 of 2)

| Specification | ATA2 | ASM8 | ASM8+ | GASM | GASI |
|-----------------------------------------------------------------------------|--------------------------------------------------------------------------------|------------------------------------------------------------------------------|------------------------------------------------------------------------------|------------------------------------------------------------------------------|------------------------------------------------------------------------------|
| Ringing frequency (North America) | 20 Hz \pm 1 Hz | 20 Hz \pm 1 Hz | 20 Hz \pm 1 Hz | 20 Hz \pm 1 Hz | 20 Hz \pm 1 Hz |
| Ringing frequency (Europe) | 25 Hz \pm 1 Hz | 25 Hz \pm 1 Hz | 25 Hz \pm 1 Hz | 25 Hz \pm 1 Hz | 25 Hz \pm 1 Hz |
| Ringing voltage (North America) | 80 V rms \pm 10% | 55 V rms \pm 10% | 65 V rms \pm 10% | 65 V rms \pm 10% | 65 V rms \pm 10% |
| Ringing voltage (Europe) | 75 V rms \pm 10% | N/A | 65 V rms \pm 10% | 65 V rms \pm 10% | 65 V rms \pm 10% |
| Loop current | 20 mA minimum | 20 mA minimum | 20 mA minimum | 20 mA minimum | 20 mA minimum |
| Battery feed voltage | -48 V dc \pm 10% | -48 V dc \pm 10% | -29 V dc \pm 10% | -48 V dc \pm 10% | -48 V dc \pm 10% |
| FIC code | OL13ABC | N/A | N/A | N/A | N/A |
| Ringer equivalency number | 3 | 1 | 2 | 2 | 2 |
| ATA2 to BCM50 loop resistance (cable only) | 135 ohms (800 m of 0.5-mm wire or 2600 ft of 24-AWG wire) | N/A | N/A | N/A | N/A |
| Analog loop resistance on terminal side for voice applications (cable only) | 1300 ohms (7200 m of 0.5-mm wire or 26000 ft of 24-AWG wire) | 250 ohms (1538 m of 0.5-mm wire or 5000 ft of 24-AWG wire) | 200 ohms (1231 m of 0.5-mm wire or 4000 ft of 24-AWG wire) | 200 ohms (1231 m of 0.5-mm wire or 4000 ft of 24-AWG wire) | 200 ohms (1231 m of 0.5-mm wire or 4000 ft of 24-AWG wire) |
| Analog loop resistance on terminal side for data applications (cable only) | 200 ohms (1231 m of 0.5-mm wire or 4000 ft of 24-AWG wire) | 250 ohms (1538 m of 0.5-mm wire or 5000 ft of 24-AWG wire) | 200 ohms (1231 m of 0.5-mm wire or 4000 ft of 24-AWG wire) | 200 ohms (1231 m of 0.5-mm wire or 4000 ft of 24-AWG wire) | 200 ohms (1231 m of 0.5-mm wire or 4000 ft of 24-AWG wire) |
| Input impedance at tip and ring | 600 ohms | 600 ohms | 600 ohms | 600 ohms | 600 ohms |
| Return loss | > 20 dB for 200 to 3400 Hz (when terminated with 600 ohms) | > 20 dB for 200 to 3400 Hz (when terminated with 600 ohms) | > 20 dB for 200 to 3400 Hz (when terminated with 600 ohms) | > 20 dB for 200 to 3400 Hz (when terminated with 600 ohms) | > 20 dB for 200 to 3400 Hz (when terminated with 600 ohms) |
| Insertion loss on an internal call | ATA2 to BCM50 loss 3.0 dB \pm 0.5 dB | ATA2 to BCM50 loss 3.0 dB \pm 0.5 dB | ATA2 to BCM50 loss 3.0 dB \pm 0.5 dB | ATA2 to BCM50 loss 3.0 dB \pm 0.5 dB | ATA2 to BCM50 loss 3.0 dB \pm 0.5 dB |
| Insertion loss on an external call | ATA2 to BCM50 loss 2.2 dB \pm 1.0 dB; BCM50 to ATA2 loss 0.5 dB \pm 1.0 dB | ASM to BCM50 loss 3.0 dB \pm 1.0 dB; BCM50 to ASM loss 0.5 dB \pm 1.0 dB | ASM to BCM50 loss 3.0 dB \pm 1.0 dB; BCM50 to ASM loss 0.5 dB \pm 1.0 dB | ASM to BCM50 loss 3.0 dB \pm 1.0 dB; BCM50 to ASM loss 0.5 dB \pm 1.0 dB | ASM to BCM50 loss 3.0 dB \pm 1.0 dB; BCM50 to ASM loss 0.5 dB \pm 1.0 dB |

Table 5 ATA2, ASM8, ASM8+, GASM, and GASl analog device specifications (Sheet 2 of 2)

| Specification | ATA2 | ASM8 | ASM8+ | GASM | GASl |
|------------------------------|--------------|--------------|--------------------------------------------------------|------------------------------------------------------------------|------------------------------------------------------------------|
| MWI type (see Note) | Stutter tone | Stutter tone | Stutter tone/ Voltage MWI (CO: 120 V) | Stutter tone/ Reverse polarity/ Voltage MWI (CO: 120 V) | Stutter Tone/ Reverse polarity/ Voltage MWI (PBX: 90 V) |
| Disconnect supervision types | N/A | N/A | OSI EIA/TIA 464 section 4.5.10.2.4/ 4.5.10.2.5.1 | OSI EIA/TIA 464 section 4.5.10.2.4/ 4.5.10.2.5.1 | N/A |

Note: The MWI type depends on the country profile, and the MWI voltage shown is a maximum value.

BCM50 hardware

The following BCM50 hardware items simplify the setup and connection of the system:

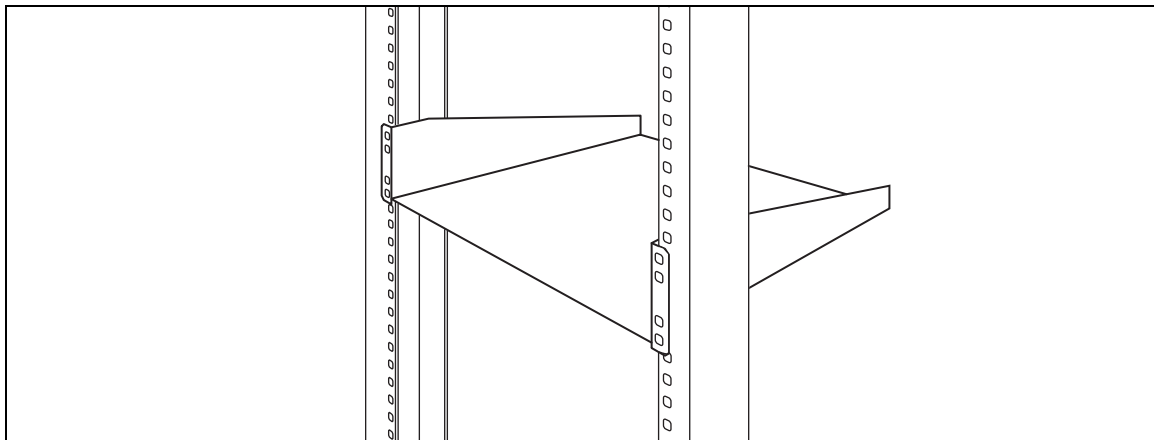
- [Rack-mount shelf](#) on page 52
- [Wall-mount bracket](#) on page 53
- [Power supply mounting bracket and enclosure](#) on page 54
- [Patch panel](#) on page 53
- [Wiring field card](#) on page 54

Rack-mount shelf

To rack-mount a BCM50 unit (main unit or expansion unit), you need a rack-mount shelf. The rack-mount shelf mounts in a standard 19-inch equipment rack. The BCM50 unit then clips into the tabs on the rack-mount shelf. These tabs prevent the unit from sliding or falling off the shelf.

If the BCM50 system includes additional units, you can clip another unit to a second set of tabs on the rack-mount shelf. You can clip additional units to tabs on the top of the other units. See the figure [Rack-mount shelf installed in equipment rack](#) on page 52.

Figure 18 Rack-mount shelf installed in equipment rack



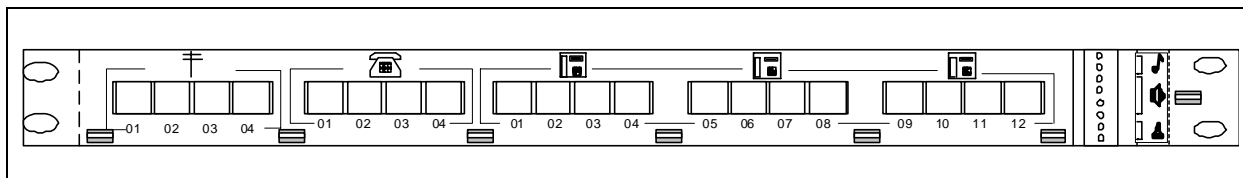
Patch panel

The BCM50 patch panel simplifies the connections of lines and extensions to the main unit. The BCM50 patch panel installs into the rack-mount shelf in a standard equipment rack and connects to the RJ-21 telephony connector with a user-supplied RJ-21 cable. See the figure [Patch panel connectors](#) on page 53.



Note: The four analog lines on the patch panel are only available with the standard main units. The four analog lines are not available with the BRI series (b-series) main units.

Figure 19 Patch panel connectors

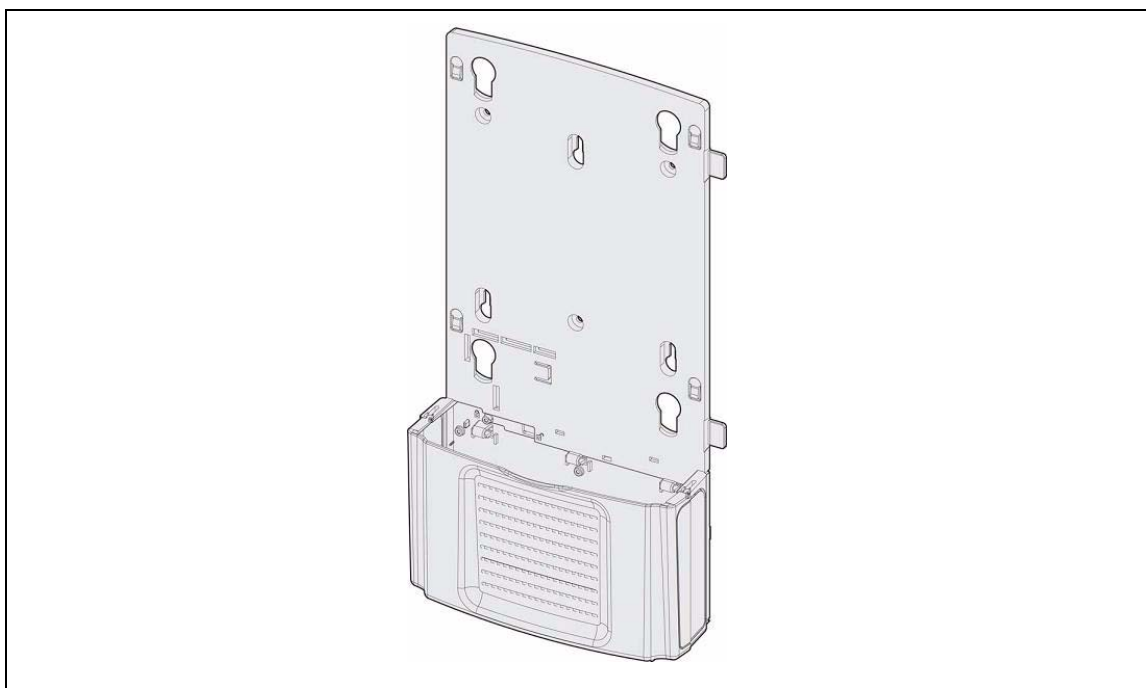


Wall-mount bracket

To wall-mount a BCM50 unit (main unit or expansion unit), you need a wall-mount bracket. The wall-mount bracket is attached to the wall, and the unit is connected to the wall-mount bracket. If the BCM50 system includes additional units, you need a wall-mount bracket for each unit.

Each wall-mount bracket includes a cable-management tray that you use to store and organize the cables connected to the BCM50 units. See the figure [Wall-mount bracket](#) on page 53.

Figure 20 Wall-mount bracket



Power supply mounting bracket and enclosure

There are two BCM50 power supply mounting options that enable you to install your power supply units next to your BCM50 system and keep the power cables neatly organized:

- Power supply mounting enclosure — accommodates up to three power supplies in a case that is similar in size and shape to a BCM50 unit. You can install the power supply mounting enclosure in the same way as BCM50 unit (in a rack, on a wall, or on a desktop).
- Single power supply mounting bracket — accommodates a single power supply for wall-mount applications.

Wiring field card

The wiring field card (WFC) simplifies the connections of lines and extensions to the main unit. The WFC installs into the cable-management tray of the wall-mount bracket and connects to the RJ-21 telephony connector through a 50-pin header.

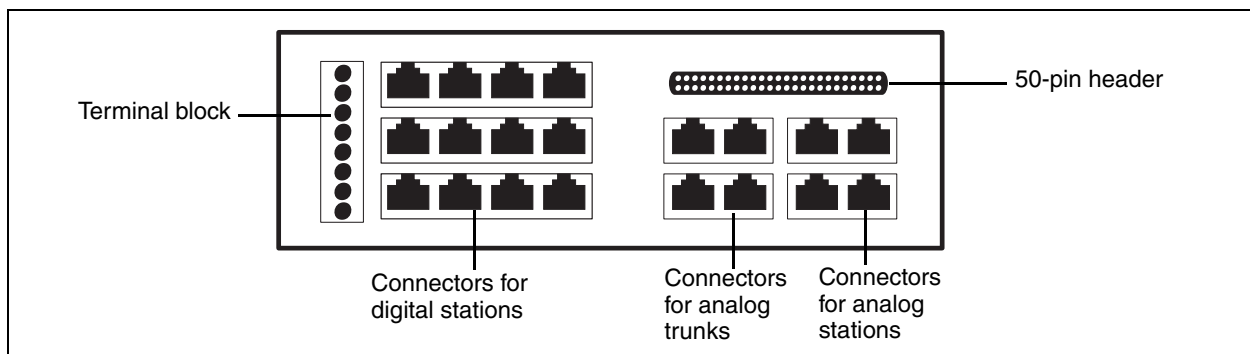
The WFC contains 12 eight-pin modular jacks for digital stations, 4 eight-pin modular jacks for analog trunks, and 4 eight-pin modular jacks for analog stations. The eight-pin modular jacks accept RJ-45 or RJ-11 modular plugs.

A terminal block is available to connect auxiliary equipment. A 50-pin header connects to the BCM50. See the figure [Wiring field card](#) on page 54.



Note: The four analog lines on the WFC are only available with the standard main units. The four analog lines are not available with the BRI series (b-series) main units.

Figure 21 Wiring field card



BCM50 components

For descriptions of the BCM50 components:

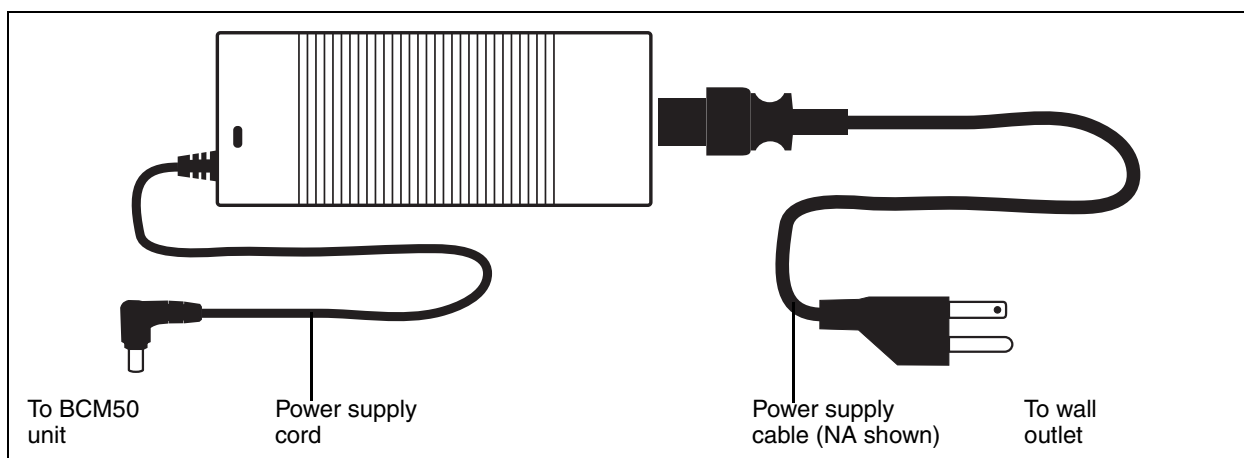
- [Power supply](#) on page 55
- [Power supply adapter cord \(international users\)](#) on page 55
- [Uninterruptable power supply](#) on page 55

- [Hard disk](#) on page 56
- [Router card](#) on page 59
- [Cooling fan](#) on page 57
- [RJ-21 telephony connector](#) on page 58

Power supply

The power supply is an external device that connects to the BCM50 units. See the figure [BCM50 power supply](#) on page 55. You must have one power supply for each unit in your BCM50 system.

Figure 22 BCM50 power supply



A BCM50 power supply is included with each main unit and expansion unit.

In addition, international (non-North American) users require a power supply adapter cord for each main unit and expansion unit.

Power supply adapter cord (international users)

The power supply adapter cord is for international (non-North American) BCM50 users. The cord connects to the power supply on one end and to the (C-14) BCM50 power bar on the other end.

You require one power supply adapter cord for each power supply you want to connect to the power bar.

Uninterruptable power supply

An uninterruptable power supply (UPS) is an optional device that maintains continuous operation during a power interruption or failure. The UPS provides power source monitoring and battery backup activation so that critical BCM50 functionality is maintained.

During a power failure, the UPS provides sufficient time to either correct the problem or activate a contingency plan to sustain services. The UPS performs a graceful shutdown of the BCM50 two minutes before the UPS battery power is drained.

The BCM50 supports American Power Conversion (APC) UPS devices that use a USB control interface. The APC UPSs include the APC UPS-Smart family (for example, UPS-Smart 750 and UPS-Smart 1000) and UPS-Back family (for example, UPS-Back 500 ES and UPS-Back 350 ES). You can use the UPS control software to configure various operational settings.



Note: For the UPS to function correctly, you must connect it before you power up the BCM50 system. If you connect a UPS to a running system, the UPS does not function.

The USB port on the UPS uses a different communication speed than the USB port on the BCM50 system. Due to this difference, you must use an industry-standard USB hub (USB 1.1-compatible) to connect the UPS data connection to the BCM50 system. The USB hub not only provides additional USB ports, it converts the data communication speed so the UPS and BCM50 system can communicate properly.

On BCM50 systems with more than one unit, you must connect the power supplies for all the units must to a single UPS.

The interaction between the UPS and the BCM50 occurs in three stages:

- 1 Configuration**—This stage sends configuration information to the UPS device and requires minimal user interaction.
- 2 Monitoring**—This stage is a steady-state, periodic monitoring cycle where the BCM50 reads the status of the UPS. This stage requires minimal user interaction.
- 3 Failure condition**—This stage initiates an action when a threshold value is surpassed.

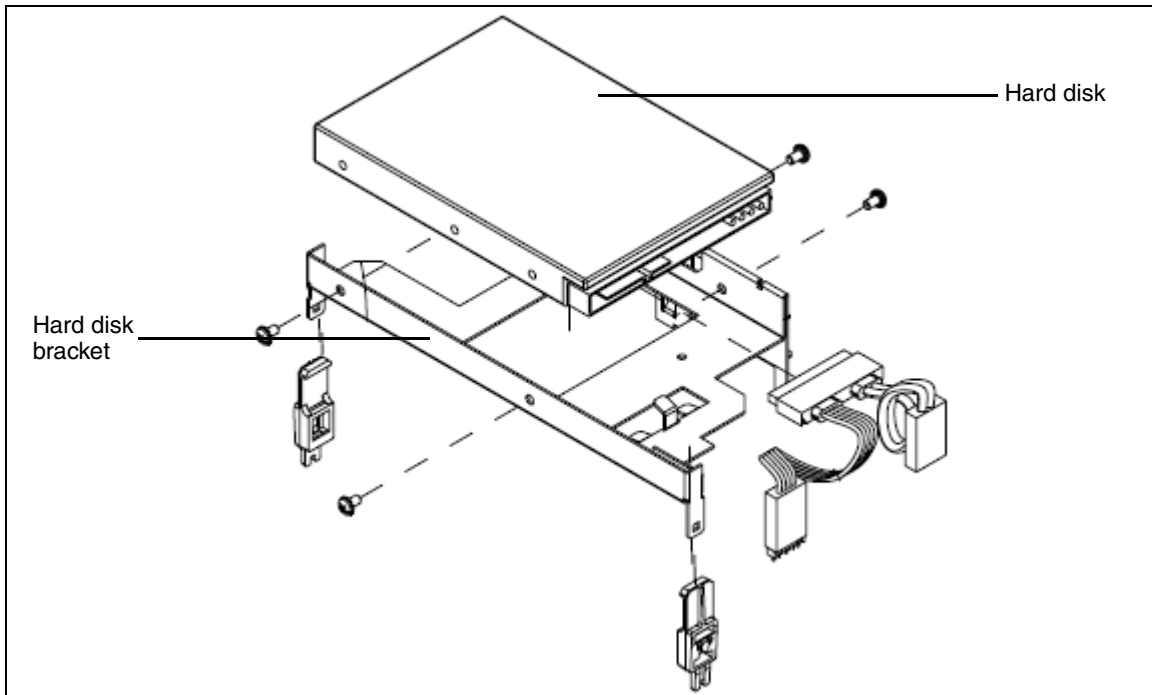
The BCM50 system requires user interaction in the case of a planned system shutdown. You must manually power down the UPS and the BCM50 main unit when performing a system shutdown.

The UPS feature is supported in all markets (110~120V and 220~240V power standards).

Hard disk

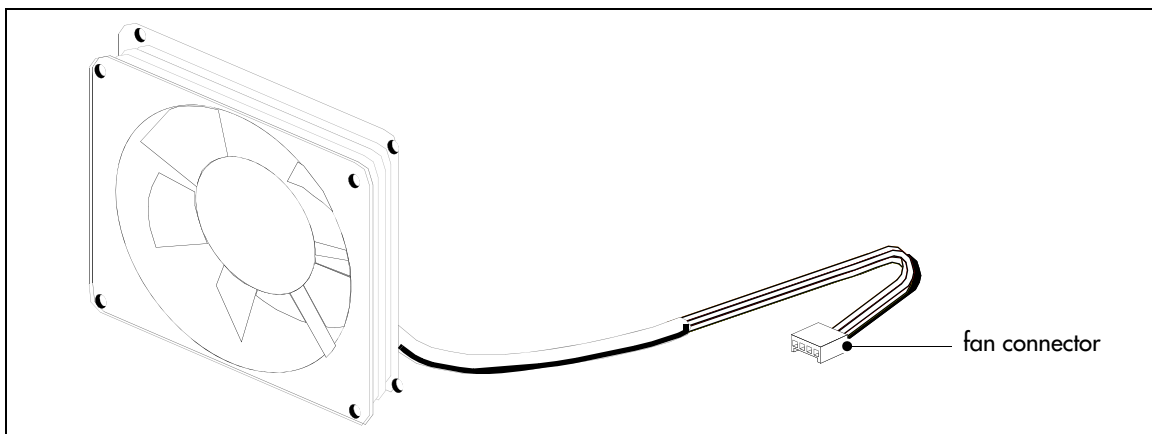
Each main unit contains a single hard disk and a hard disk bracket to install it in the main unit. See the figure [Hard disk and bracket](#) on page 57.

For installation and replacement instructions, see [Replacing an internal component](#) on page 195.

Figure 23 Hard disk and bracket

Cooling fan

The main units have one cooling fan. The expansion unit has two cooling fans. See the figure [Cooling fan](#) on page 57.

Figure 24 Cooling fan

The cooling fan mounts in the back of the BCM50 enclosure.

For information about how to install or replace the cooling fan, see [Replacing an internal component](#) on page 195.

RJ-21 telephony connector

Use the RJ-21 telephony connector to connect a 25-pair (RJ-21) cable to the main unit. Then use these 25 pairs of wires to connect to the following telephony devices (see [RJ-21 telephony connector wiring chart](#) on page 209):

- **Four analog lines (standard main units only)**
Use these connections for analog trunks from the Public Switched Telephone Network (PSTN). The four analog lines on the RJ-21 telephony connector are not available on the BRI series (b-series) main units.
- **Four analog telephones**
Use these connections for analog telephony devices such as single-line telephones, fax machines, and modems.
- **Auxiliary ringer**
Use this connection for an auxiliary ringer (customer supplied). The BCM50 system uses the auxiliary ringer to control the cadence of an auxiliary ringer. You must use this output in a low-current, low-voltage application only. Do not use this output for switching the auxiliary ringer directly.
- **Page output**
Use this connection to connect an internally generated voice-paging signal to an external paging amplifier (customer supplied).
- **Page relay**
When you use the page output to connect an external paging amplifier, you also use the page relay. The page relay connects to a floating relay contact pair. The BCM50 system uses the page relay to control the external paging amplifier.
- **Music input**
Use the Music input to connect an external music source that supplies a signal to held lines (music on hold) or telephone speakers (background music). The input source can be any available radio or music source approved for connection to the network. If you use this connection, do not use the Music input jack on the main unit faceplate.
- **Twelve digital telephones**
Use these connections for digital telephones. For a list of digital telephones that are compatible with the BCM50 system, see the *Telephony Device Installation Guide*.



Warning: External equipment connected to the auxiliary ringer, page relay, page output, and music-on-hold interfaces must use safety extra low voltage (SELV). All four interfaces are SELV and the external equipment connected to these interfaces must be SELV. If these interfaces are not SELV, you must use external line isolation units (LIU).



Note: The analog trunk interfaces and analog telephony device interfaces on the RJ-21 telephony connector are compatible with the North American telephony interface standards only. If your BCM50 system is in a country that uses a different telephony standard, you must use media bay modules for your analog trunks and media bay modules or ATAs for your analog telephony devices.

Router card

The BCM50e main unit has a router card that uses an Ethernet interface to connect to a WAN edge device (for example, an external ADSL modem or a cable modem).

The BCM50a main unit has a router card that uses an ADSL interface to connect the BCM50 system to the Internet Service Provider (ISP).

For information about replacing the router card, see [Replacing an internal component](#) on page 195.

Field-replaceable units

The table [Field-replaceable units](#) on page 59 and the table [Media bay modules](#) on page 59 provide a list of field-replaceable units (FRU) and media bay modules (MBM) for the BCM50 system. Use these tables as references when you need to order, replace, or install hardware components. The tables provide references to the component descriptions and installation procedures.



Note: The product engineering code (PEC) can change over time; consult the catalog for the latest information.

Table 6 Field-replaceable units

| Component description | FRU Description | Replacement procedure |
|-------------------------------------|-----------------|-----------------------------------|
| Router card with Ethernet connector | "Router card" | "Replacing an internal component" |
| Router card with ADSL interface | "Router card" | "Replacing an internal component" |
| Hard disk, programmed | "Hard disk" | "Replacing an internal component" |
| Power supply | "Power supply" | "Replacing a power supply" |
| Cooling fan | "Cooling fan" | "Replacing an internal component" |

Table 7 Media bay modules (Sheet 1 of 2)

| Component description | FRU Description | Installation procedure |
|-----------------------|-------------------------------------------------|------------------------|
| 4x16 MBM | "4x16 media bay module" | "To install an MBM" |
| Analog DID | "Analog direct inward dialing media bay module" | "To install an MBM" |
| ASM8 MBM | "Analog station media bay modules" | "To install an MBM" |
| BRIM MBM | "Basic rate interface media bay module" | "To install an MBM" |
| DSM16+ MBM | "Digital station media bay module" | "To install an MBM" |
| DSM32+ MBM | "Digital station media bay module" | "To install an MBM" |
| DTM MBM | "Digital trunk media bay module" | "To install an MBM" |

Table 7 Media bay modules (Sheet 2 of 2)

| Component description | FRU Description | Installation procedure |
|-----------------------|------------------------------------|------------------------|
| G4x16/G8x16 MBM | "G4x16 and G8x16 media bay module" | "To install an MBM" |
| GASM MBM | "Analog station media bay modules" | "To install an MBM" |
| GATM4/GATM8 MBM | "Global Analog Trunk Module" | "To install an MBM" |

Accessories

You can use the following accessories with the BCM50 system:

Station auxiliary power supply (SAPS)—provides power for the central answering position (CAP) when you connect the 7316E to five or more KIMs. You can also extend the loop length between a telephone or terminal and the BCM50 system from 1000 to 2600 feet. You must use a dedicated cable to connect the two locations.

Analog Terminal Adapter 2 (ATA2)—converts digital signals to analog signals to allow communication with analog devices such as fax machines, modems, and answering machines. The ATA2 supports a maximum transmission rate of 28.8 Kb/s. With a single-line telephone, the ATA2 supports a long-loop configuration.

Chapter 3

Viewing the BCM50 system LEDs

This section describes the BCM50 system LEDs including BCM50 main unit, expansion unit, and media bay module (MBM) LEDs.

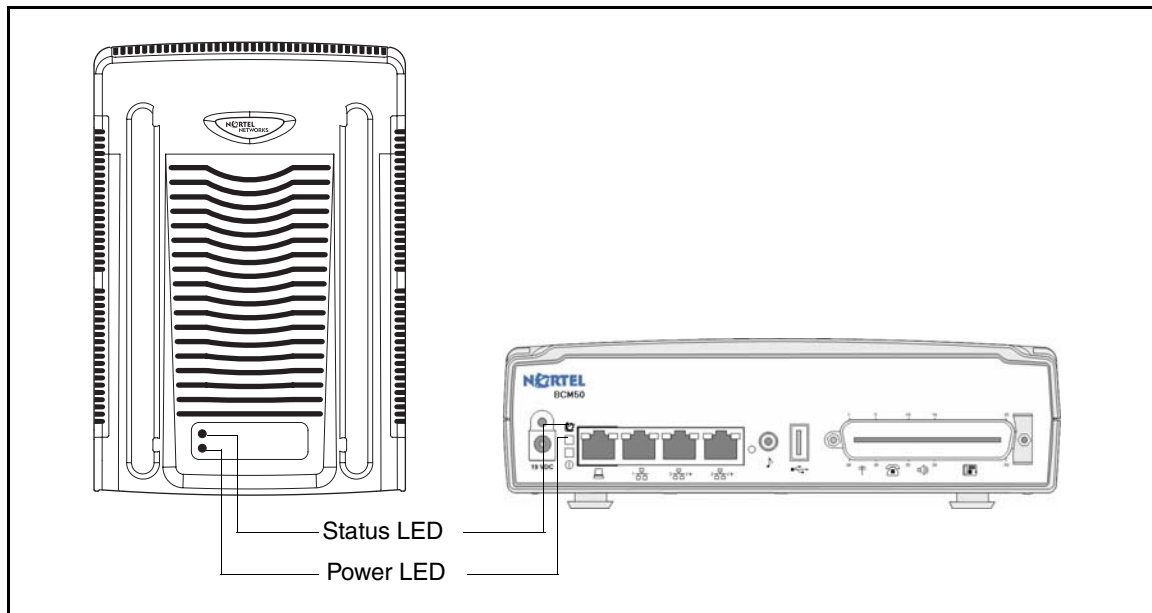
For information about the BCM50 system LEDs:

- [System status LEDs](#) on page 61
- [LAN port LEDs](#) on page 63
- [ADSL router LEDs \(BCM50a and BCM50ba only\)](#) on page 64
- [Ethernet router LEDs \(BCM50e and BCM50be only\)](#) on page 65
- [BRI port LEDs on main unit \(BRI series only\)](#) on page 67
- [Media bay module LEDs \(expansion units only\)](#) on page 67
- [DTM LEDs](#) on page 68
- [BRIM LEDs](#) on page 69

System status LEDs

The two system status LEDs on the BCM50 main units (BCM50, BCM50a, BCM50e, BCM50b, BCM50ba, and BCM50be) show the current state of the BCM50 system.

You can view the system status LEDs on the faceplate and on the top of the main unit. See the figure [Location of system status LEDs on a main unit](#) on page 62. The bottom LED is the power LED, and the top LED is the status LED. Under normal operating conditions, both LEDs are solid green.

Figure 25 Location of system status LEDs on a main unit

The table [System status LED states and descriptions](#) on page 62 describes the meaning of the system status LEDs after the system boots up and is in service.

Table 8 System status LED states and descriptions

| Power | Status | Description |
|------------------------------------------------------|--------------|-------------------------------------------------------|
| LED states seen during Start up sequence | | |
| Solid yellow | Solid yellow | Power applied to system |
| Solid yellow | Off | Power on self test (POST). Lasts for 9 seconds. |
| Solid yellow | Solid yellow | System initializing (lasts 14 seconds). |
| Solid green | Solid yellow | Kernel initialization (lasts 8 seconds) or Safe OS. |
| Solid green | Blink green | Services initializing (lasts 1 minute). |
| Solid green | Solid green | Normal operation. |
| Solid green | Solid red | Services initialization failed. |
| LED states seen during Safe Mode start up sequence | | |
| Solid red | Solid green | System running with factory default settings enabled. |
| Solid red | Solid red | System running in Software Reset mode. |
| Solid red | Blink yellow | System running in Configuration Reset mode. |
| LED states seen during shut down sequence or failure | | |
| Solid green | Blink yellow | Graceful shutdown in progress. |
| Off | Solid yellow | Graceful shutdown completed. |
| Solid red | Blink yellow | Overheat detected. Thermal shutdown completed. |

Table 8 System status LED states and descriptions

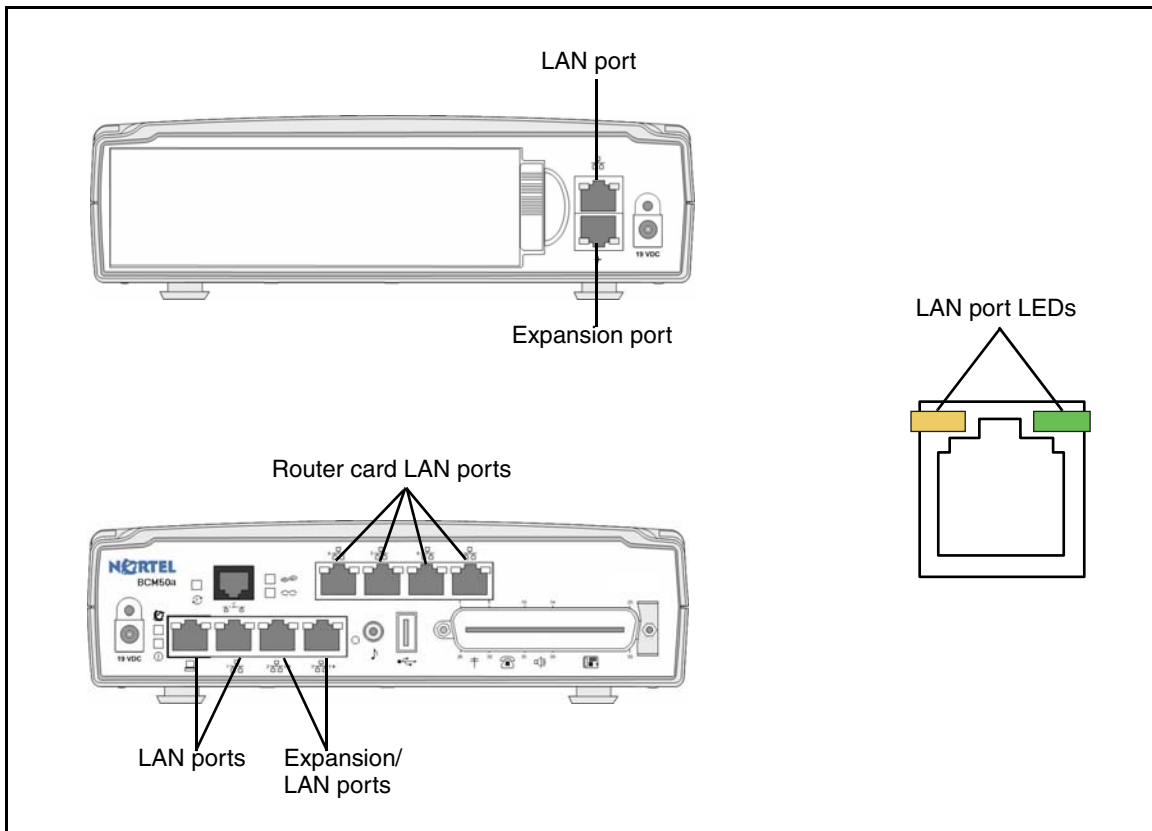
| Power | Status | Description |
|----------------------------------------------------------------------------------|--------------|-----------------------------------------------------------------|
| Solid red | Solid red | Power spike or Rail power fluctuation detected. |
| Blink red | Solid red | Rail power fluctuation. Power Monitor Shutdown completed. |
| Solid yellow | Solid red | Power spike shutdown completed (temperature and Rail power ok). |
| Off | Off | No power, system is shut down (power cable is disconnected). |
| Start-up Profile LED states (seen only during initial system install or staging) | | |
| Blink Yellow | Blink Yellow | Start-up Profile executing. |
| Solid Green | Solid Green | Start-up Profile successfully applied. |
| Blink Yellow | Blink Red | Start-up Profile failure. |

LAN port LEDs

Each LAN port on the main unit and expansion unit has two LEDs. These LEDs indicate the status of the connection for that LAN port. The figure [LAN port LED locations](#) on page 64 shows the location of these LEDs on the main units and expansion unit.



Note: The expansion ports on the main unit also function as LAN ports. The expansion port LEDs indicate LAN activity only. The LEDs do not indicate expansion unit presence. The LEDs do not light.

Figure 26 LAN port LED locations

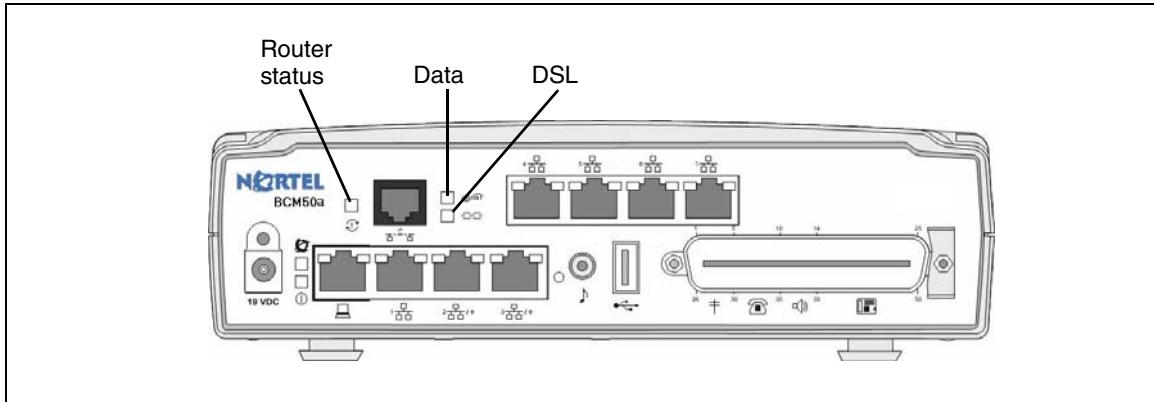
The table [LAN port and expansion port LED indicators](#) on page 64 describes the possible LED states for the LAN ports LEDs.

Table 9 LAN port and expansion port LED indicators

| LED | Status | Description |
|-----------|----------|-------------------------------------------------------------------------------------------------------------------|
| Yellow | On | The LAN port is operating at 10 Mb/s. |
| Green | On | The LAN port is operating at 100 Mb/s. |
| Both LEDs | Off | No connection. |
| Any LED | Flashing | The LAN port is sending or receiving network data. The frequency of the flashes increases with increased traffic. |

ADSL router LEDs (BCM50a and BCM50ba only)

The three ADSL router LEDs on the faceplate of the BCM50a and BCM50ba main units monitor router status, data, and DSL. The figure [ADSL router LEDs on the BCM50a and BCM50ba main units \(BCM50a shown\)](#) on page 65 shows the location of the three ADSL router LEDs.

Figure 27 ADSL router LEDs on the BCM50a and BCM50ba main units (BCM50a shown)

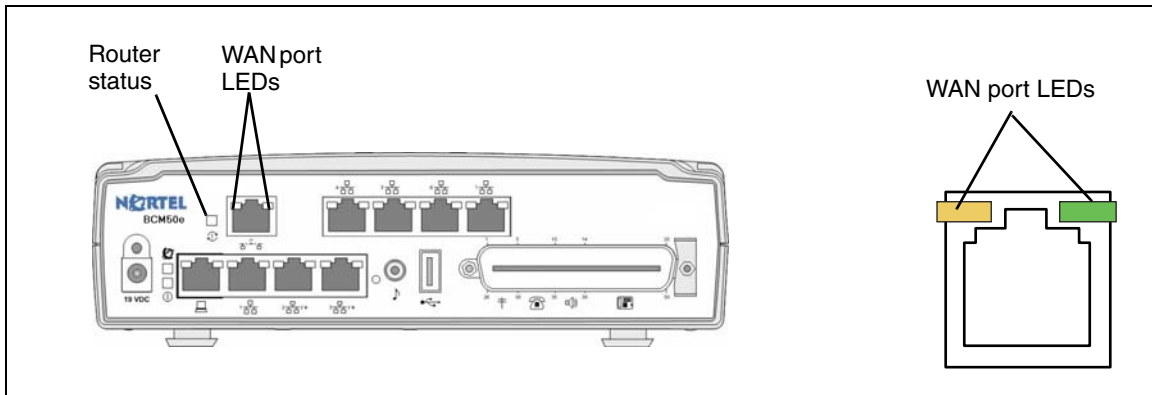
The table [ADSL router LED descriptions](#) on page 65 describes the possible ADSL router LED states.

Table 10 ADSL router LED descriptions

| LED | Status | Description |
|---------------|----------|-------------------------------------------------------------------------------------------------|
| Router status | On | The router card is functioning properly. |
| | Off | The router card is not ready or malfunctioned. |
| | Flashing | The router card is rebooting. |
| Data | Flashing | The router card is sending or receiving data through the WAN port. |
| | Off | The router card is not sending or receiving data through the WAN port. |
| DSL | On | The router card is linked successfully to a digital subscriber line access multiplexer (DSLAM). |
| | Off | The DSL link is not functioning. |
| | Flashing | The router card is initializing the DSL line. |

Ethernet router LEDs (BCM50e and BCM50be only)

The three Ethernet router LEDs on the BCM50e and BCM50be main units monitor the router status and the WAN port. The figure [Ethernet router LEDs on the BCM50e and BCM50be main units \(BCM50e shown\)](#) on page 66 shows the location of the three Ethernet router LEDs.

Figure 28 Ethernet router LEDs on the BCM50e and BCM50be main units (BCM50e shown)

The table [LAN port LED indicators](#) on page 66 describes the possible Ethernet router LED states.

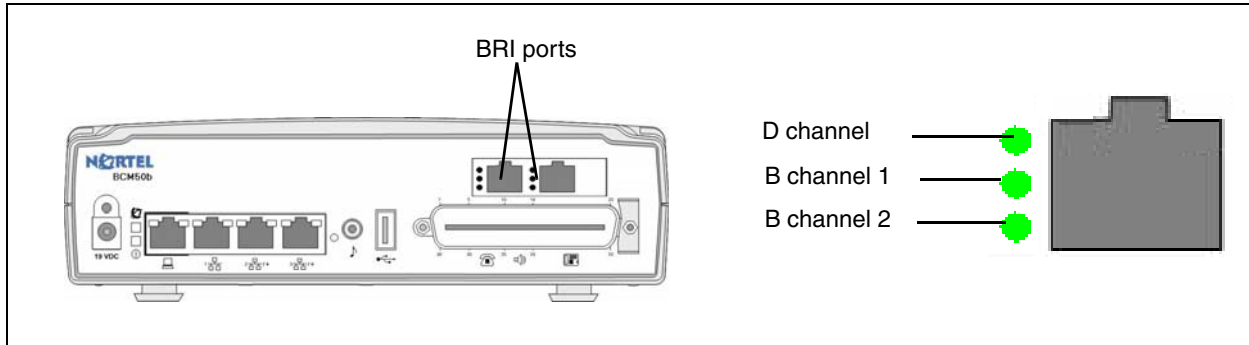
Table 11 LAN port LED indicators

| LED | Status | Description |
|--------------------|----------|-------------------------------------------------------------------------------------------------------------------|
| Router status | On | The router card is functioning properly. |
| | Off | The router card is not ready or malfunctioned. |
| | Flashing | The router card is rebooting. |
| WAN port yellow | On | The WAN port is operating at 10 Mb/s. |
| WAN port green | On | The WAN port is operating at 100 Mb/s. |
| Any WAN port LED | Flashing | The WAN port is sending or receiving network data. The frequency of the flashes increases with increased traffic. |
| Both WAN port LEDs | Off | No connection. |

BRI port LEDs on main unit (BRI series only)

The three BRI port LEDs on the BCM50b, BCM50ba, and BCM50be main units monitor the BRI port status. The figure [Ethernet router LEDs on the BCM50e and BCM50be main units \(BCM50e shown\)](#) on page 66 shows the location of the BRI ports and LEDs.

Figure 29 BRI port LEDs on the BCM50b, BCM50ba, and BCM50be main units (BCM50b shown)



The table [BRI port LED indicators](#) on page 67 describes the possible BRI port LED states.

Table 12 BRI port LED indicators

| LED (channel) | Status | Description |
|---------------|------------|---------------------------------------------------|
| D | On (green) | D channel is functioning through this BRI port. |
| B1 | On (green) | B channel 1 is functioning through this BRI port. |
| B2 | On (green) | B channel 2 is functioning through this BRI port. |

Media bay module LEDs (expansion units only)



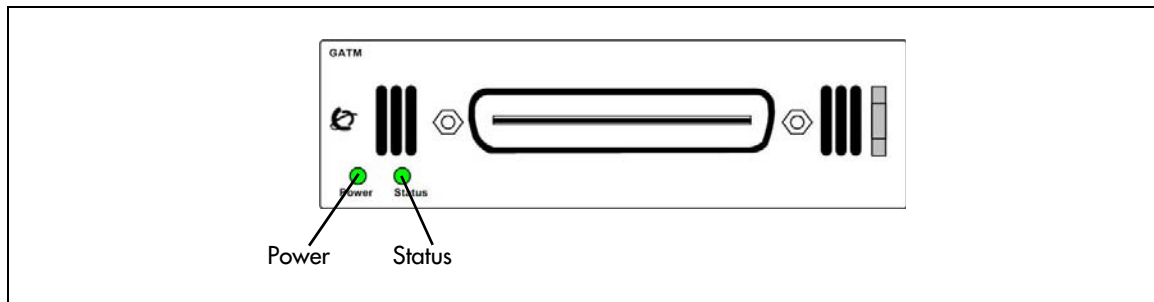
The two media bay module (MBM) LEDs on an expansion unit show the power and status of the MBM. The figure [MBM LEDs](#) on page 67 shows the location of the  (Power) and  (Status) LEDs on an MBM. The power and status LEDs are in the same location on all MBMs.

Figure 30 MBM LEDs



The table [MBM LED descriptions](#) on page 68 describes the possible MBM LED states.

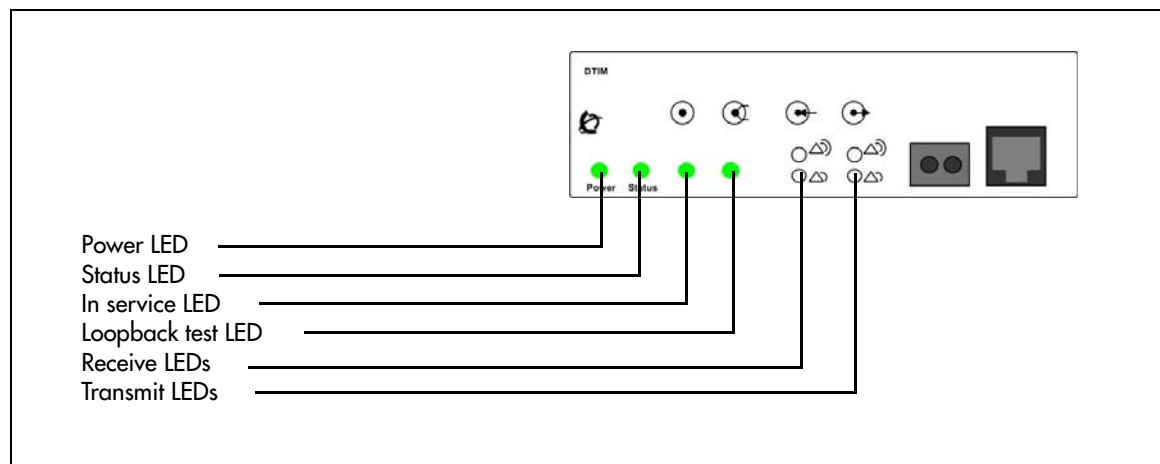
Table 13 MBM LED descriptions

| Power | Status | Description |
|----------|----------|----------------------------------------------------------------------------------------------------------------------------------------------------------------------------------------------------------------------------------------------------------------------------------------------------------------------------------------------------|
| Off | Off | The MBM has no power, or a failure occurred on the MBM power converter. |
| On | Off | BCM50 to expansion unit failure or system initialization. |
| On | Blinking | Hardware is working, but an operational problem exists such as: <ul style="list-style-type: none"> no link to the main unit is detected frame alignment is lost on messages from the main unit bandwidth not allocated MBM is in maintenance state MBM is in download state (GASM, GATM4/GATM8) |
| Blinking | Blinking | The MBM has power, but a hardware problem exists such as: <ul style="list-style-type: none"> partial failure of power converter thermal overload fan failure |
| On | On | The MBM is ready to operate. |

DTM LEDs

The DTM has additional LEDs that are not on most other MBMs. The figure [DTM LEDs](#) on page 68 shows the location of the DTM LEDs.

Figure 31 DTM LEDs



The table [DTM LED functions](#) on page 68 describes the functions of the DTM LEDs.

Table 14 DTM LED functions (Sheet 1 of 2)

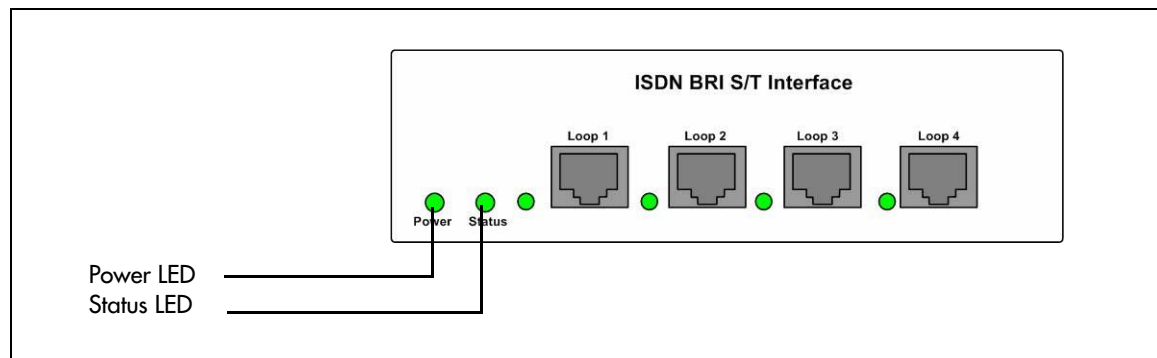
| LED | Status | Descriptions |
|--------|--------|-----------------------------------------------------------------------------------|
| Power | – | See “ Media bay module LEDs (expansion units only) ” for details. |
| Status | – | See “ Media bay module LEDs (expansion units only) ” for details. |

Table 14 DTM LED functions (Sheet 2 of 2)

| LED | Status | Descriptions |
|----------------|----------|---------------------------------------------------------------------------------------------------------------------------------------------------------------------------------------------|
| In service | Flashing | The T1, ETSI, or PRI trunks are out of service because a loopback test is running or the DTM is initializing. |
| Loopback test | On | A continuity loopback test is running. |
| Receive alarm | On | A problem with the received digital transmission. This half-duplex link does not work. |
| Receive error | On | A small error as a result of degraded digital transmission. Possible causes are an ohmic connection, water ingress, or too long a loop. |
| Transmit alarm | On | The DTM cannot transmit. The DTM sends an alarm indication signal (AIS) to the terminating switch. This half-duplex link does not work. |
| Transmit error | On | The DTM is sending a remote alarm indication (RAI) carrier failure alarm (CFA) to the terminating switch. If the transmit alarm is not on, this error indicates a far-end or cable problem. |
| All LEDs | Flashing | The DTM is initializing. |

BRIM LEDs

The BRIM has one additional LED beside each RJ-48C jack. These LEDs are on when the ISDN line is active. The figure [BRIM LEDs](#) on page 69 shows the location of the LEDs on a BRIM.

Figure 32 BRIM LEDs

For more information on the power and status LED functions, see [Media bay module LEDs \(expansion units only\)](#) on page 67.

Chapter 4

Determining DHCP server configuration and IP address

Each main unit has a dynamic host configuration protocol (DHCP) server. This DHCP server supplies Nortel IP Phones and client computers with IP addresses and connection information.

If the main unit has no integrated router, then you can configure the DHCP server using Element Manager.

If the main unit has an integrated router, then you can activate either the DHCP server on the main unit or the DHCP server on the integrated router. If you want to use the DHCP server on the main unit, you must first disable the DHCP server on the integrated router.

For more information about configuring the DHCP server, see the procedure [To configure DHCP server settings](#) on page 144.

The BCM50 system can have a main unit with or without an integrated router:

- [BCM50 and BCM50b main units \(no integrated router\)](#) on page 71
- [BCM50a, BCM50ba, BCM50e, and BCM50be main units \(with integrated router\)](#) on page 72

BCM50 and BCM50b main units (no integrated router)

By default, the main unit is configured with a dynamic IP address, which means the IP configuration is received from a DHCP server.

The BCM50 and BCM50b main units can have two DHCP server configurations:

- [If an external DHCP server is not present](#) on page 71
- [If an external DHCP server is present](#) on page 72

If an external DHCP server is not present

If an external DHCP server is not present, then the main unit uses the following default IP configuration:

| | |
|---------------------|---------------|
| IP address: | 192.168.1.2 |
| Subnet mask: | 255.255.255.0 |
| Gateway: | 192.168.1.1 |

The DHCP server on the main unit supplies IP configuration information for all IP devices (PCs and IP Phones). The DHCP server also supplies specific connection information to the IP Phones.

If an external DHCP server is present



Warning: The DHCP server on the main unit is enabled (IP Phones only) by default. If your network already contains a DHCP server, then disable the DHCP server on the main unit. For more information about disabling the DHCP server on the main unit, see the procedure [To configure DHCP server settings](#) on page 144.

If an external DHCP is present, then the BCM50 system uses the IP configuration supplied by the external DHCP server. In this case, the DHCP server on the main unit supplies only IP Phones with IP configuration information. The DHCP server on the main unit does not supply any other devices with IP settings. This means that the administrator need not set up the external DHCP server to supply configuration settings to the IP Phones.

The DHCP server on the main unit must configure a range of IP addresses to supply to the IP Phones. The DHCP server uses the top 20 percent of a subnet.

For example, if the external DHCP server supplies the IP address 177.218.21.45 (subnet mask is 255.255.255.0) to the BCM50, then the BCM50 DHCP server reserves the range 177.218.21.200 to 177.218.21.254.

You can verify and change this default range using Element Manager.

The administrator must ensure that this range agrees with the network configuration—the external DHCP server does not use the range.

BCM50a, BCM50ba, BCM50e, and BCM50be main units (with integrated router)

You can select the DHCP server option to use with the BCM50 integrated router main units. You can select to use the integrated router or you can disable the integrated router and use the DHCP server that is on the main unit. Select the DHCP server option through Element Manager (Configuration > Data Services > DHCP Server > General Settings tab).

If you select the standard DHCP server on the main unit, you must first disable the DHCP server on the integrated router. You can then configure the DHCP server functionality in the same way as a non-router version.

If you select the DHCP server on the integrated router you can configure the router using the router WebGUI tool.

By default, the integrated router is selected and you configure the BCM50a, BCM50ba, BCM50e, and BCM50be main units with a dynamic IP address, meaning that these units request an IP configuration from a DHCP server. Because the integrated router has a DHCP server, this DHCP server responds to the request.

By default, the router LAN IP address is 192.168.1.1, and the IP address assigned to the BCM50 system is the first IP address in the DHCP pool. If the DHCP pool starts at 192.168.1.190, then the BCM50 is 192.168.1.190 even though the router is 192.168.1.1. Therefore, the BCM50 system receives the IP address 192.168.1.2 (subnet mask is 255.255.255.0) from the DHCP server on the integrated router.

The DHCP server on the integrated router supplies the information (primary and secondary TPS server information, VLAN IDs) to the IP Phones enabling the phones to connect to the BCM50. If the IP address of the integrated router changes, then the IP address reserved for the BCM50 automatically changes. The DHCP server on the integrated router automatically updates the S1 and S2 IP address.

For more information about configuring a DHCP server for your BCM50 main unit, see the procedure [To configure DHCP server settings](#) on page 144.

Chapter 5

Installing the BCM50 system

To install a BCM50 system, you must install a BCM50 main unit, any expansion units required, and the telephony components.

The figure [BCM50 installation overview](#) on page 75 and the table [BCM50 installation overview](#) on page 76 provide an overview of the installation process.

Figure 33 BCM50 installation overview

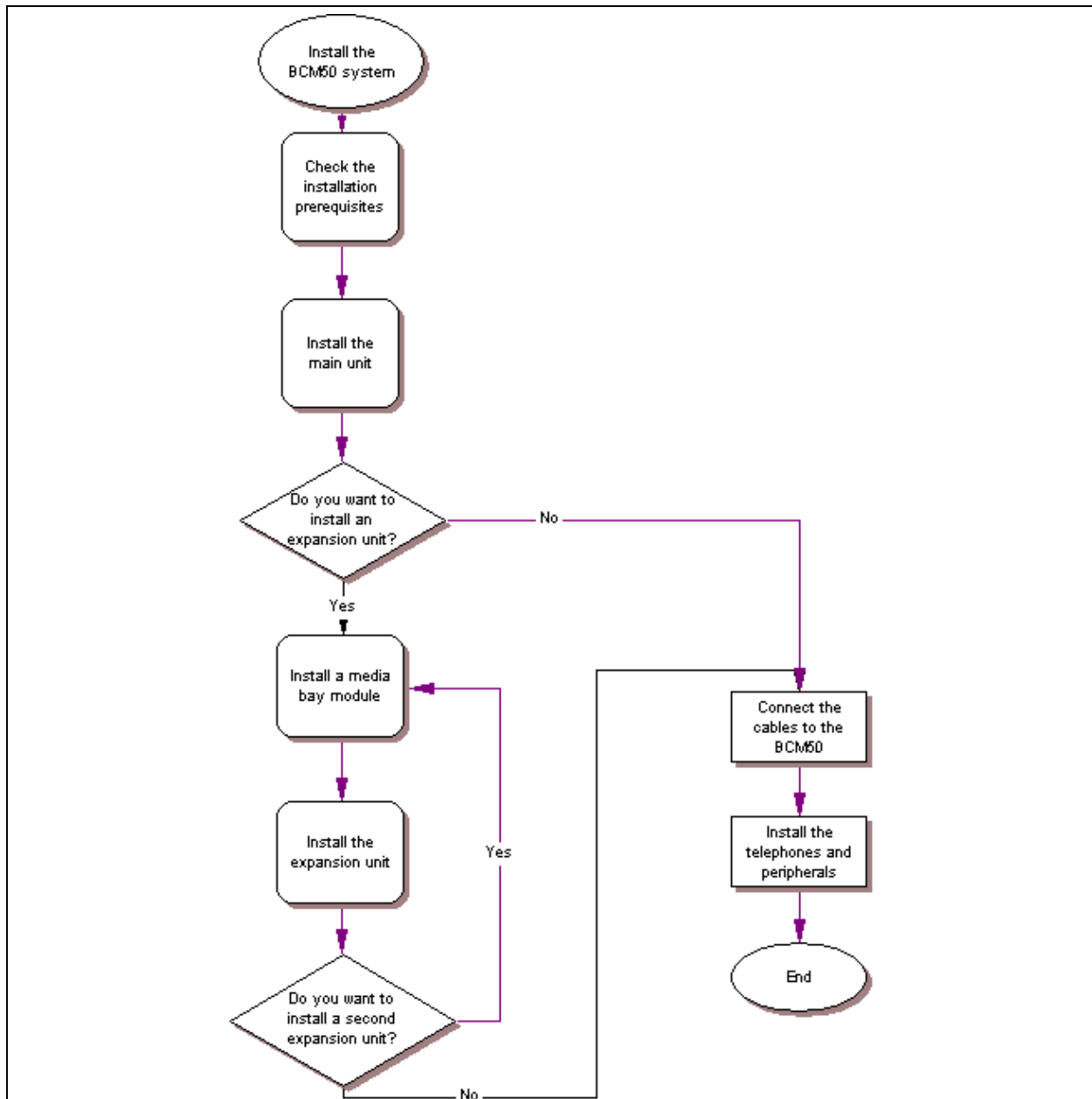


Table 15 BCM50 installation overview (Sheet 1 of 2)

| Tasks | Description | Refer to |
|----------------------------------|------------------------------------------------------------------------------------------------------------------------------------------------------------------------------------------------------------------------------------------------------------------------------------------------------------------------------------------------------------------------------------------------------------------------------------------|---------------------------------------------------------------------------|
| Prepare for installation | Verify these requirements: <ul style="list-style-type: none"> • environmental • electrical • site telephony wiring | Checking the installation prerequisites on page 79 |
| Get required equipment and tools | Ensure you have these items: <ul style="list-style-type: none"> • basic hardware • optional equipment • other hardware and tools | System equipment, supplies, and tools on page 81 |
| Inspect the components | Verify that the main unit box contains all the required components in good condition. | Unpacking the main unit on page 84 |
| Install the main unit | Mount the main unit using these options: <ul style="list-style-type: none"> • in an equipment rack with a rack-mount shelf (optional patch panel) • on a wall with a wall-mount bracket (optional wiring field card) • on a desktop | Installing the main unit on page 83 |
| Inspect the components | Verify that the expansion unit box contains all the required components in good condition. | Unpacking the expansion unit on page 98 |
| Install a media bay module (MBM) | Follow these steps to install an MBM: <ul style="list-style-type: none"> • set the MBM dip switches to factory default • insert the MBM into the expansion unit | Verifying the media bay module switch settings on page 98 |
| Install an expansion unit | Mount the expansion unit using the same option as the main unit: <ul style="list-style-type: none"> • in an equipment rack with a rack-mount shelf (optional patch panel) • on a wall with a wall-mount bracket (optional wiring field card) • on a desktop • on top of another unit (not for wall-mount option) | Installing the expansion unit on page 103 |
| Connect the cables | Connect the cables between these items: <ul style="list-style-type: none"> • main unit to expansion unit (if required) • power supply to units (with and without a UPS) • lines and extensions to the RJ-21 telephony connector (optional patch panel or WFC) • lines and extensions to the MBMs • auxiliary equipment to the RJ-21 telephony connector (optional patch panel or WFC) | Connecting the cables to the BCM50 system on page 105 |

Table 15 BCM50 installation overview (Sheet 2 of 2)

| Tasks | Description | Refer to |
|------------------------------------|------------------------------------------------------------------------------------------------------------------------------------------------------------------------------------------------------------|--------------------------------------------------------------------|
| Install telephones and peripherals | You can install these telephones: <ul style="list-style-type: none">• System telephones• Emergency telephone• IP Phones• T7406 cordless system | Installing telephones and peripherals on page 121 |
| Install an ATA2 | Perform these steps to install an ATA2: <ul style="list-style-type: none">• connect the ATA2• mount the ATA2• test insertion loss measurement• configure the ATA2 | Installing the analog terminal adapter on page 123 |

Chapter 6

Checking the installation prerequisites

Before you install a main unit or expansion unit, perform the following tasks:

- Determine the location for the BCM50 units, telephones, and other equipment based on space and electrical requirements.
- Order the required trunks from the central office.
- Ensure that you have all the equipment and supplies you need to install the system.

For information about BCM50 installation prerequisites:

- [Environmental requirements](#) on page 79
- [Electrical requirements](#) on page 79
- [Site telephony wiring requirements](#) on page 80
- [System equipment, supplies, and tools](#) on page 81

Environmental requirements

Ensure you meet the installation environmental requirements. The installation area must be:

- a minimum of 4 m (13 ft.) from equipment such as photocopiers, electrical motors, and other equipment that produces electromagnetic, radio frequency, and electrostatic interference
- within 1.5 m (5 ft.) of a three-wire grounded electrical outlet
- clean, dry, well ventilated, and free of traffic and excess dust
- within the temperature range of 5°C and 50°C (40°F and 120°F)
- from 20% to 80% non condensing relative humidity
- structurally strong and with enough space to support the BCM50 units
- a minimum of 46 cm (18 in.) from the floor



Note: The installation area must be of sufficient height from the floor to prevent water damage.

Electrical requirements

Ensure you meet the following electrical requirements:

- Power must be supplied from a non switched, unobstructed outlet within 1.5 m (5 ft.) of the BCM50 units.
- The supplied power must be a dedicated 110 V to 120 V AC nominal (or 220 V to 240 V AC nominal), 50 to 60 Hz, 15 A minimum service with a third-wire safety ground. The third-wire safety ground provides shock protection and prevents electromagnetic interference.

**Danger:** Risk of electric shock

The safety of this product requires connection to an outlet with a third-wire ground. Use only with the supplied BCM50 power supply and a three-wire power outlet.

**Caution:** Check ground connections

Ensure that the electrical ground connections of the power utility, telephone lines, and internal metal water pipe system, if present, are connected. If these ground connections are not connected, contact the appropriate electrical inspection authority. Do not try to make the connections yourself.

You can connect the power supply to a power bar. The total length of the power cables from the power supply to the electrical outlet (including power bar) must not exceed 2 m (6.5 ft.). You must use a power bar approved by an appropriate National Test Body, with a third-wire ground. Nortel recommends that you do not use an extension cord between the power supply and the power bar or between the power bar and the electrical outlet.

Site telephony wiring requirements

The following sections describe the requirements for wiring digital telephony devices (digital loop) and analog telephony devices (analog loop) to the BCM50 system:

- [Digital loop](#) on page 80
- [Analog loop](#) on page 80

Digital loop

You must meet the following parameters for a digital loop:

- one, two, or three twisted-pair cables per telephone
- DC loop resistance of less than 64 Ω
- cable length (0.5 mm or 24-AWG) less than 300 m (975 ft.)
- use of a station auxiliary power supply (SAPS) for loops 300 m (975 ft.) to 1200 m (3900 ft.).
In North America, the SAPS must be a CSA- or UL-approved Class 2 power source.
In Europe, the SAPS must be a Class II power source and CE marked.
- no bridge taps

Analog loop

You must meet the following parameters for an analog loop:

- maximum DC loop resistance of 208 Ω
- maximum cable length (0.5 mm or 24-AWG) of 1220 m (4000 ft.)

System equipment, supplies, and tools

For the equipment required to install the BCM50 system:

- [Basic hardware](#) on page 81
- [Optional equipment](#) on page 81
- [Other hardware and tools](#) on page 81

Basic hardware

The BCM50 system comprises a combination of the following hardware:

- main unit: BCM50, BCM50a, BCM50e, BCM50b, BCM50ba, or BCM50be
- expansion unit
- media bay module (MBM)
- telephones
- cabling for connections between hardware units

You can connect a maximum of two expansion units to a BCM50 system. Each expansion unit can contain one MBM.



Note: You require keycodes for some hardware to function.

Optional equipment

You can add the following equipment to the BCM50 system to support specific requirements beyond the basic hardware:

- station auxiliary power supply (SAPS)
- analog terminal adapter 2 (ATA2) if you connect analog equipment to a digital extension line
- uninterruptable power supply (UPS)
- USB hub (required if the system uses a UPS)

Other hardware and tools

You need the following equipment to install a BCM50 unit:

- mounting hardware
(either a rack-mount shelf, a wall-mount bracket per unit, or four rubber feet per unit)
- Phillips #2 screwdriver
- flat blade screwdriver
- pliers
- antistatic grounding strap
- punch-down tool

- surge protector (recommended)
- cables, 25-pair cable with right-feeding female RJ-21 connectors
- 3.5-mm mono audio jack (for external music source)

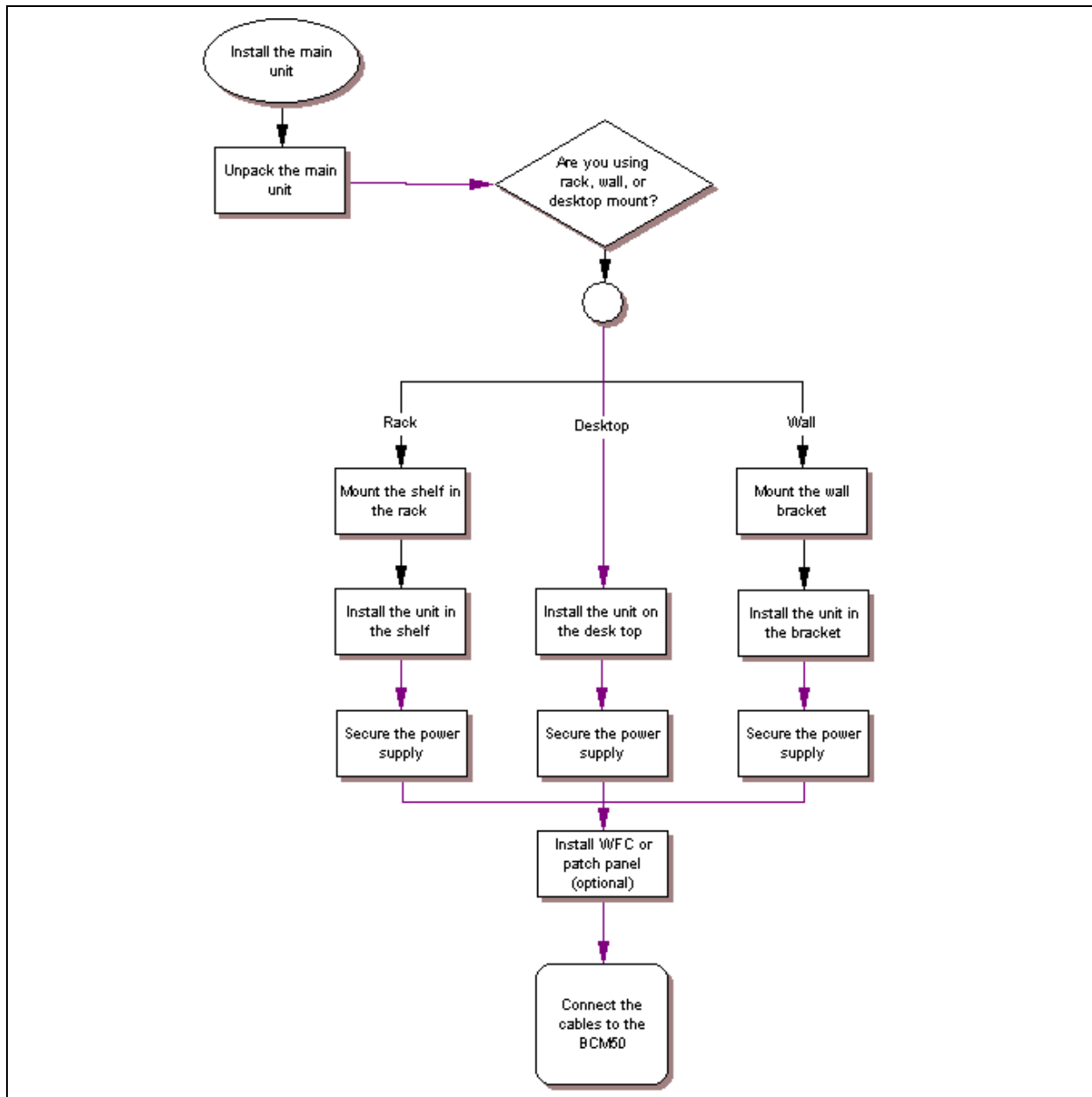
Chapter 7

Installing the main unit

This section describes how to install the main unit. You can install the main unit in an equipment rack, on a wall, or on a desktop.

The figure [Overview of installing the main unit](#) on page 83 shows the steps required to install the main unit.

Figure 34 Overview of installing the main unit



For information about installing the main unit:

- [Unpacking the main unit](#) on page 84
- [Installing the BCM50 unit in an equipment rack](#) on page 84
- [Installing the BCM50 unit on the wall](#) on page 88
- [Installing the BCM50 unit on a desktop or shelf](#) on page 93

Unpacking the main unit

Open the main unit box and check that you have all of the following components:

- one main unit (either BCM50, BCM50a, BCM50e, BCM50b, BCM50ba, or BCM50be)
- one power supply
- one power supply cable
- one power supply retention clip
- four rubber feet
- one screw to secure the RJ-21 telephony connector
- one cable tie
- a documentation CD
- the *BCM50 Installation Checklist and Quick Start Guide*

Visually inspect the components for damage during shipping.

If you find damage, contact your Nortel sales representative.

Installing the BCM50 unit in an equipment rack

You can install a BCM50 main unit in a standard 19-inch equipment rack along with your other networking and telecommunications equipment.

To rack-mount a BCM50 unit, you need the optional rack-mount kit (NT9T6325). This kit provides the parts to mount up to four BCM50 units into a standard 19-inch equipment rack. The BCM50 unit mounts into the tabs on the rack-mount shelf. These tabs prevent the unit from sliding around or falling off the shelf. If the BCM50 system includes additional units, you can mount another unit onto a second set of tabs on the rack-mount shelf. You can mount any additional units to tabs on the top of the other units.

If you need to better secure a BCM50 unit, use the screws provided (four per unit) to screw the BCM50 to the rack. This is a “hardened” installation. For a hardened installation, install only two units per rack—do not stack the units.

You can also use the optional patch panel to simplify the connections to the BCM50 RJ-21 telephony connector.



Caution: For acceptable environmental conditions before selecting a location for the BCM50 system, see [Checking the installation prerequisites](#) on page 79.



Caution: To keep the BCM50 system operating at the optimal internal temperature, keep the top, sides, and rear clear of obstructions and away from the exhaust of other equipment.

Place no objects, except another BCM50 unit or a power supply mounting enclosure, on top of the main unit.

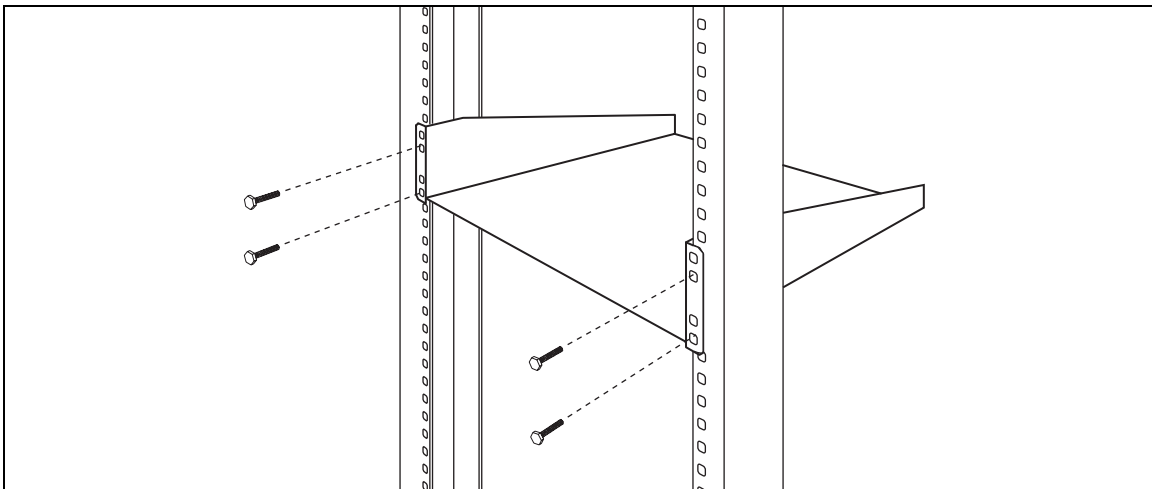
Use the following procedures to install a BCM50 unit in a rack:

- [To install the rack-mount shelf in an equipment rack](#) on page 85
- [To install the BCM50 unit on the rack-mount shelf](#) on page 86
- [To install the power supply on the rack-mount shelf](#) on page 94

To install the rack-mount shelf in an equipment rack

- 1 Determine the location in the rack where you want to install the BCM50 unit.
- 2 Position the rack-mount shelf in the rack.
- 3 Align the holes in the rack-mount shelf with the holes in the equipment rack rails.
- 4 Fasten the rack-mount shelf to the rack using the four rack screws (supplied with the rack-mount kit). See the figure [Fasten the rack-mount shelf to an equipment rack](#) on page 85.
- 5 Proceed to [Installing the BCM50 unit on the rack-mount shelf](#) on page 85.

Figure 35 Fasten the rack-mount shelf to an equipment rack



Installing the BCM50 unit on the rack-mount shelf

The rack-mount shelf has slots molded into its surface to which you attach the BCM50 units. By attaching the BCM50 units to these slots, you can prevent someone from accidentally knocking them off the rack-mount shelf.

If you install additional units, you can install a second unit on the shelf beside the first unit. You can install another unit on top of each of the first two units. Nortel recommends a maximum of four units per rack-mount shelf.

Select your installation option:

- [To install the BCM50 unit on the rack-mount shelf](#) on page 86
- [To install a BCM50 unit on top of another unit](#) on page 87

To install the BCM50 unit on the rack-mount shelf

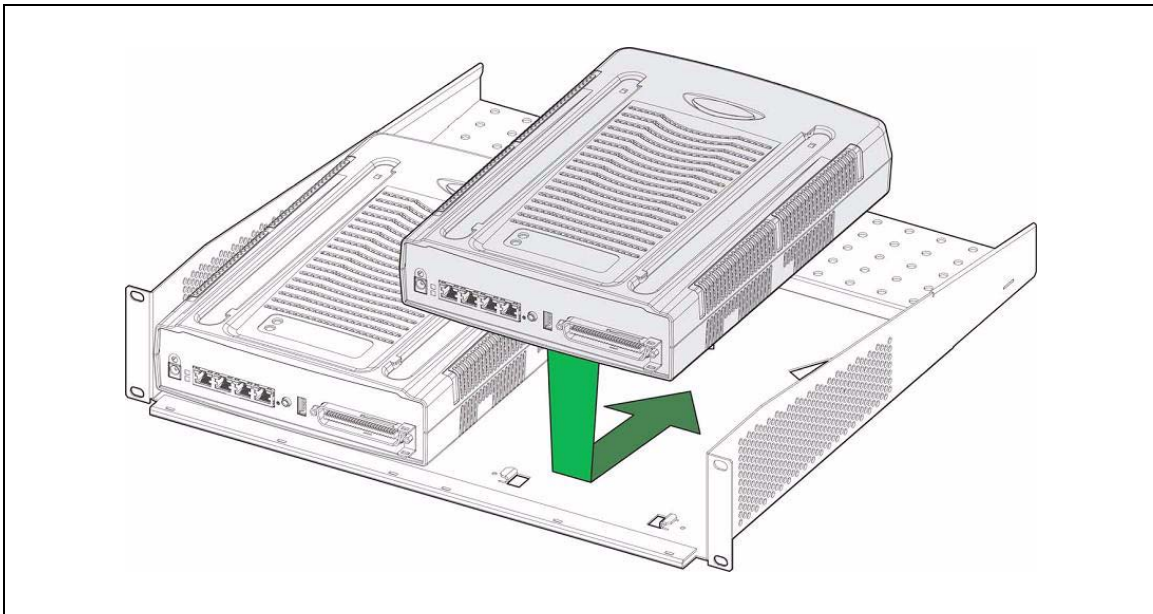
- 1 Place the BCM50 unit on the rack so that the feet of the unit are in the depressions in the shelf.
- 2 Move the unit forward until the feet touch the front side of the depressions.
- 3 Slide the unit back until the feet click in place on the slots in the depressions. See the figure [Attach the units to the rack-mount shelf](#) on page 86.
- 4 To further secure the unit, use the four self-tapping screws (for plastic) supplied with the rack-mount kit to attach the unit to the rack-mount shelf. Make sure the screw holes in the unit are aligned with the holes in the rack-mount shelf. Then insert the four screws through the holes in the bottom of the shelf and into the screw holes in the bottom of the unit.



Caution: Use only the screws supplied with the rack-mount kit (NT9T6325). Do not replace the screws. Other screws can damage the unit.

- 5 Install the power supply using a method appropriate for your installation. For details about installation options, see [Installing the BCM50 power supply](#) on page 94.

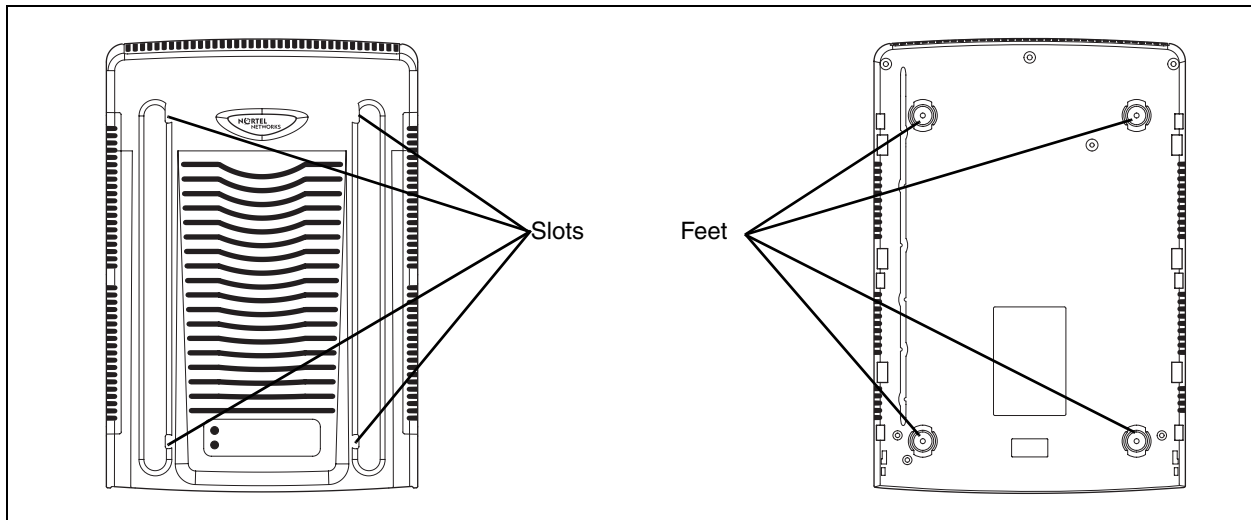
Figure 36 Attach the units to the rack-mount shelf



To install a BCM50 unit on top of another unit

- 1 Insert the power supply retention clip into the BCM50 unit.
- 2 Place the BCM50 unit on top of the other unit. Make sure the feet of the unit are in the slots on the top of the unit and in front of the slots. See the figure [BCM50 unit slots and feet](#) on page 87.
- 3 Slide the unit back until it clicks in place on the slots.
- 4 Install the power supply using a method appropriate for your installation. For details about installation options, see [Installing the BCM50 power supply](#) on page 94.

Figure 37 BCM50 unit slots and feet



Installing the patch panel (optional)

Install the optional patch panel in the equipment rack.

To install the patch panel

- 1 Determine the location in the rack where you want to install the patch panel.
- 2 Position the patch panel in the rack.
- 3 Align the holes in the patch panel with the holes in the equipment rack rails.
- 4 Fasten the patch panel to the rack using the four rack screws (supplied with the patch panel).
- 5 Continue with the procedure [To connect the cables to the patch panel \(optional\)](#) on page 119.

Installing the BCM50 unit on the wall

To wall-mount a BCM50 unit, you need a wall-mount bracket. The wall-mount bracket attaches to the wall, and the BCM50 unit connects to the wall-mount bracket. If the BCM50 system includes additional units, you need a wall-mount bracket for each unit. Each wall-mount bracket includes a cable-management tray that you use to store and organize the cables connected to the BCM50 units. An optional wiring field card simplifies the cable connections for the lines and extensions.

If desired you can install an optional plywood backboard 2 cm (3/4 in.) thick.



Caution: For acceptable environmental conditions before selecting a location for the BCM50, see [Checking the installation prerequisites](#) on page 79.



Caution: You must mount BCM50 units side-by-side on the wall. DO NOT attempt to mount units on top of each other when using the wall-mount option.



Caution: To keep the BCM50 operating at the optimal internal temperature, keep the top, sides, and rear clear of obstructions and away from the exhaust of other equipment.

Use the following procedures to install the BCM50 unit on a wall:

- [To install the BCM50 wall-mount bracket](#) on page 88
- [To install the BCM50 unit on the wall-mount bracket](#) on page 90

To install the BCM50 wall-mount bracket

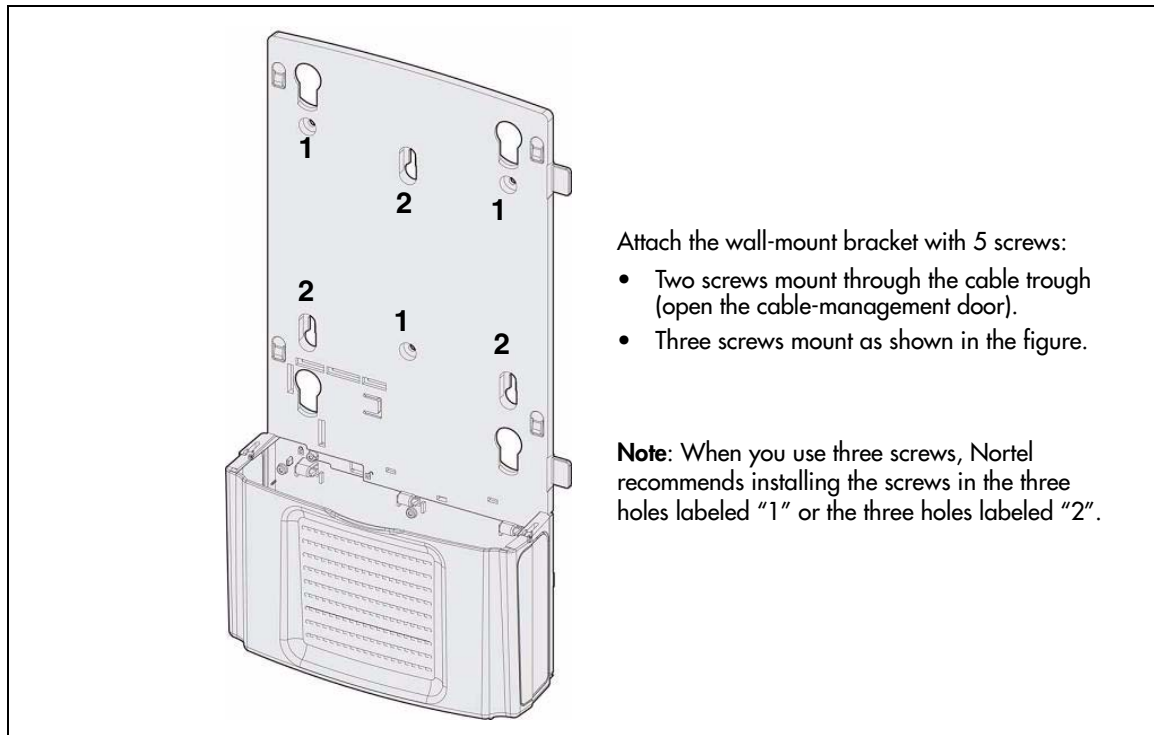
- 1 Use a pencil to mark the location of the plywood backboard on the wall. Use a ruler and a level to make sure that the plywood backboard is level.



Note: Nortel recommends the use of a plywood backboard to simplify installing multiple BCM50 units. However, due to the compact size and light weight of the BCM50 units, a backboard is not required.

If you do not use a backboard, use the appropriate wall anchors or ensure the screws are in a stud.

- 2 Mount the plywood backboard securely to the wall.
- 3 Place the wall-mount bracket on the backboard and mark the location of the center keyhole-shaped screw hole on the plywood backboard. See the figure [Wall-mount bracket](#) on page 89.

Figure 38 Wall-mount bracket**4** Prepare the wall-mount bracket by removing the alignment tabs:

- If this is the only unit in the BCM50 system, remove the alignment tabs on the right side of the wall-mount bracket.
- If this is the last unit on a BCM50 system with multiple units, remove the alignment tabs on the left side of the wall-mount bracket.

Place the additional wall-mount bracket on the backboard on the right side of the existing wall-mount bracket. Use the alignment tabs to ensure the two wall-mount brackets are properly aligned.

If these options do not meet your requirements, other options are available. For example, you can route the Amphenol connector cable to the left of the unit, or you can route the cable straight down the wall.

5 Attach the wall-mount bracket with five #8 x 2 cm (#8 x 0.75 in.) round-head wood screws:

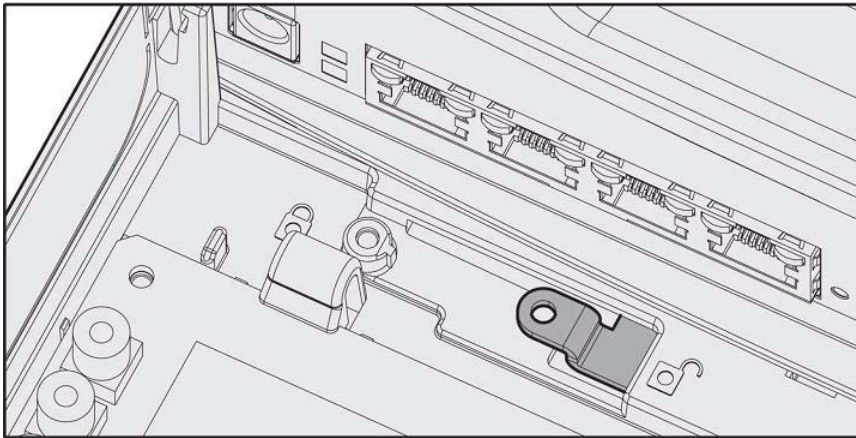
- Install one screw in the backboard. Do not tighten the screw head against the backboard. Leave approximately 0.5 cm (0.25 in.) of the screw exposed from the backboard.
- Hang the wall-mount bracket on the mounting screw.
- Use a level to make sure the wall-mount bracket is level.
- Install two screws into the screw holes in the wall-mount bracket. See the figure [Wall-mount bracket](#) on page 89.
- Tighten the wood screws against the wall-mount bracket.
- Open the cable-management door.

- g** Install two screws into the screw holes in the cable trough.
- 6** If the BCM50 system has only one unit, go to the procedure [To install the BCM50 unit on the wall-mount bracket](#) on page 90.
If the BCM50 system has more than one unit, repeat steps 3 to 6 for each wall-mount bracket.
- 7** Go to the procedure [To install the BCM50 unit on the wall-mount bracket](#) on page 90.

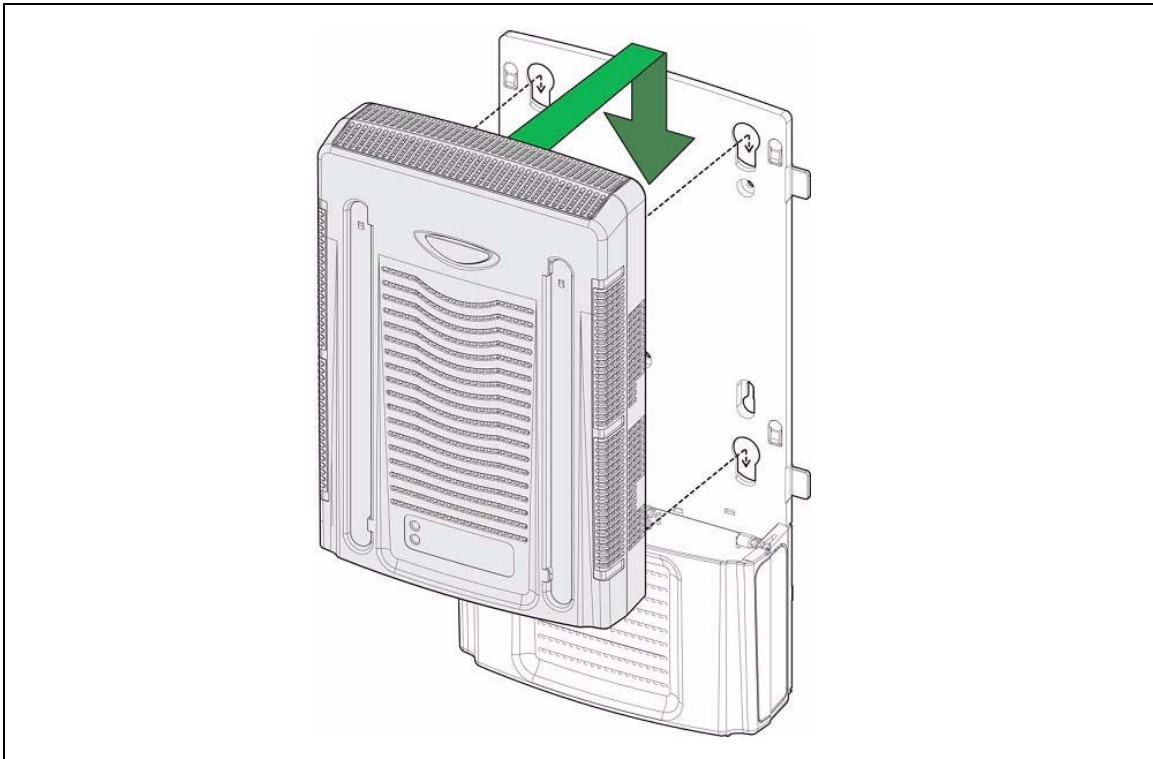
To install the BCM50 unit on the wall-mount bracket

- 1** Insert the power supply retention clip into the BCM50 unit.
- 2** Slide the wall-mount lock fully to the right (unlock position). See the figure [Wall-mount lock in unlock position](#) on page 90.

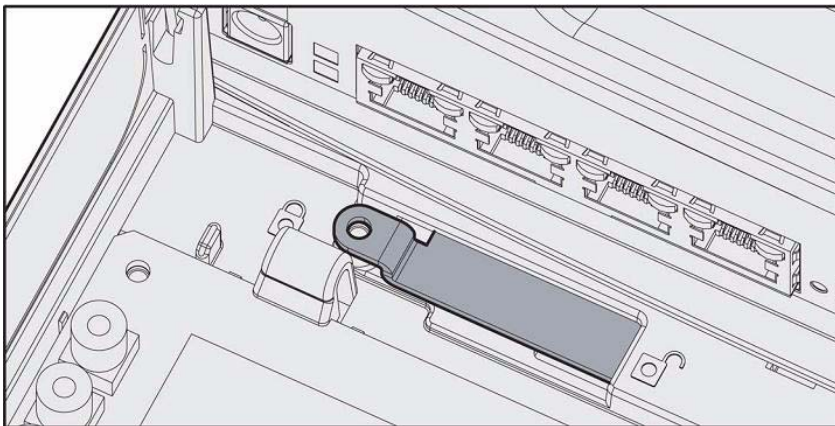
Figure 39 Wall-mount lock in unlock position



- 3** Align the feet on the BCM50 unit with the four holes in the wall-mount bracket. See the figure [Attach the BCM50 unit to the wall-mount bracket](#) on page 91.

Figure 40 Attach the BCM50 unit to the wall-mount bracket

- 4** Press the unit against the wall-mount bracket and slide the unit down until it clicks in place.
- 5** Slide the wall-mount lock to the left (lock position). See the figure [Wall-mount lock in lock position](#) on page 91.

Figure 41 Wall-mount lock in lock position

- 6** Use the supplied screw to secure the wall-mount lock in position.
- 7** Repeat steps 1 to 6 for each additional BCM50 unit you install.
- 8** Install the power supply using a method appropriate for your installation. For details about installation options, see [Installing the BCM50 power supply](#) on page 94.

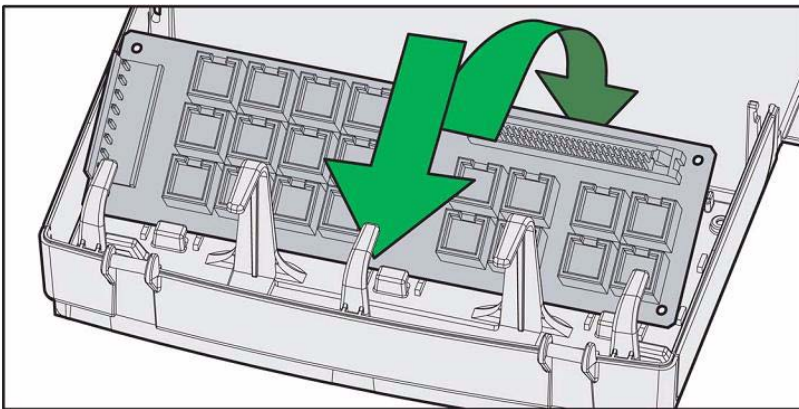
Installing the wiring field card (optional)

Install the optional wiring field card (WFC) in the cable-management tray of the main unit.

To install the WFC

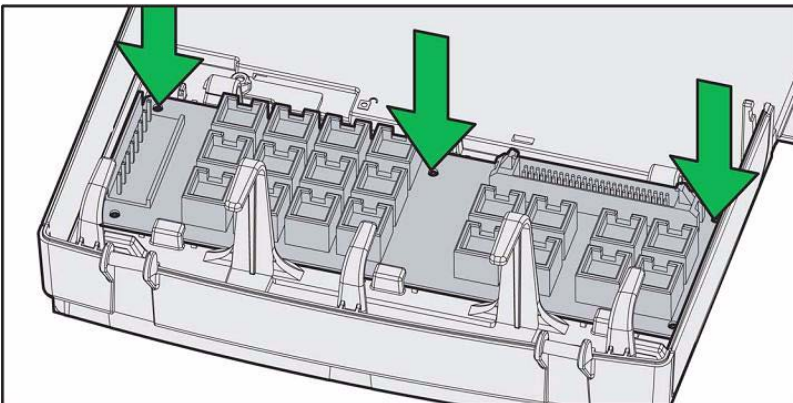
- 1 Clear the WFC installation area of all cables.
- 2 Place the WFC in the installation area with the 50-pin header at the top.
- 3 Slide the WFC down until it is at the bottom of the installation area and held in place by the three clips. See the figure [Slide in the WFC](#) on page 92.

Figure 42 Slide in the WFC



- 4 Press the WFC firmly at the top left corner, center, and right tabs. The WFC snaps into place. See the figure [Snap the WFC into place](#) on page 92.

Figure 43 Snap the WFC into place



- 5 Optional—Install the three screws to secure the WFC in place.
- 6 Continue with the procedure [To connect the cables to the wiring field card \(optional\)](#) on page 119.

Installing the BCM50 unit on a desktop or shelf

To mount a BCM50 unit on a desktop or shelf, attach the supplied rubber feet to the bottom of the unit. If the BCM50 system includes additional units, you can set the additional units beside, or stack them on top of, the first unit. If you are mounting the additional units beside the first unit, attach the supplied rubber feet to the bottom of each unit. If you are stacking the additional units on top of the first unit, mount each unit into the tabs on top of another unit.



Caution: For acceptable environmental conditions before selecting a location for the BCM50 system, see [Checking the installation prerequisites](#) on page 79.



Note: To keep the BCM50 unit operating at the optimal internal temperature, keep the top, sides, and rear clear of obstructions and away from the exhaust of other equipment.

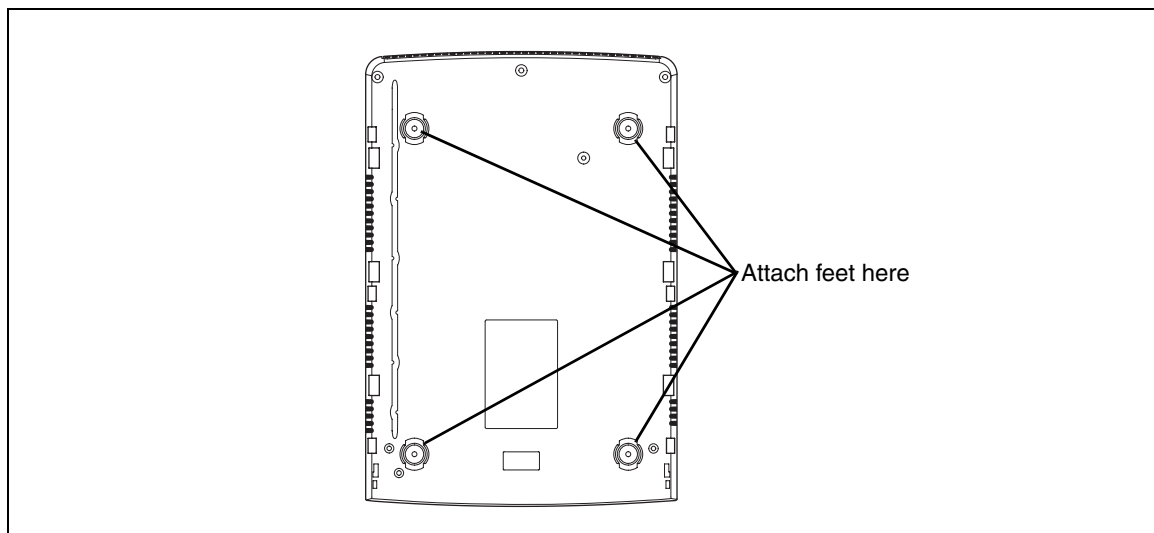
Place no objects, except another BCM50 unit or a power supply mounting enclosure, on top of the main unit.

To install the BCM50 unit on a desktop or shelf

To install the BCM50 unit on a desktop or shelf:

- 1 Insert the power supply retention clip into the BCM50 unit.
- 2 Attach the four self-adhesive rubber feet to the bottom of the BCM50 unit by peeling off the paper backing and placing the feet on the unit as indicated in the figure [Location for feet on the bottom of the BCM50 unit](#) on page 93.

Figure 44 Location for feet on the bottom of the BCM50 unit



- 3 Position the BCM50 unit on a table or shelf. Make sure you leave enough space around the unit for ventilation and access to the cables.

- 4 If the BCM50 system has additional units, you can install the other units on top of, or beside, the existing BCM50 unit.
 - To install the additional units beside the existing unit, repeat steps 1 to 3 for each unit.
 - To install the additional units on top of the existing unit, see the procedure [To install a BCM50 unit on top of another unit](#) on page 87.
- 5 Install the power supply using a method appropriate for your installation. For details about installation options, see [Installing the BCM50 power supply](#) on page 94.

Installing the BCM50 power supply

There are several different ways to install a power supply. Select the method that works best for your type of installation. The power supply must be within 1.5 m (5 feet) of the BCM50 unit and within 1.5 m (5 feet) of the AC power outlet (wall outlet or UPS).



Note: Do not stack more than one BCM50 unit or power supply mounting enclosure on top of a first unit.

- For a rackmount installation you can install the power supply directly onto the rackmount shelf or you can use the power supply mounting enclosure.
- For a wallmount installation, you can use the power supply mounting enclosure (for up to three power supplies) or a single power supply mounting bracket (for a single power supply).
- For a desktop installation, you can mount them directly to the desk or you can use the power supply mounting enclosure (for up to three power supplies).

To install the power supply on the rack-mount shelf

- 1 Place the power supply behind the BCM50 units on the back of the rack-mount shelf.
Make sure the power supply is on its side with the label facing the back of the shelf.
- 2 Use two cable ties to secure the power supply to the rack-mount shelf.
- 3 Repeat steps 1 and 2 for each power supply you mount.

To install the power supply on the desktop

- 1 Place the power supply next to the BCM50 unit on the desktop. The power supply must be within 1.5 m (5 feet) of the BCM50 unit and within 1.5 m (5 feet) of the AC power outlet (wall outlet or UPS).

To install a power supply using the power supply mounting enclosure

- 1 Slide the BCM50 power supplies into the power supply mounting enclosure.
- 2 Mount the power supply mounting enclosure in the same manner as your other BCM50 units (in a rack, on a wall, or on a desktop).

For more detailed installation instructions for the power supply mounting enclosure, see the *Nortel BCM50 Power Supply Mounting Enclosure* (N0118043).

To install a power supply using the single power supply mounting bracket

- 1 If you want to install one power supply only, use the single power supply mounting bracket.
- 2 Attach the single power supply mounting bracket on the wall next to your BCM50 system.
- 3 Snap the power supply into the power supply mounting bracket.

For more detailed installation instructions for the power supply mounting bracket, see the *Nortel BCM50 Single Power Supply Mounting Bracket* (N0130867).

Next step

If you install an expansion unit, proceed to [Installing an expansion unit](#) on page 97.

Otherwise, proceed to [Connecting the cables to the BCM50 system](#) on page 105.

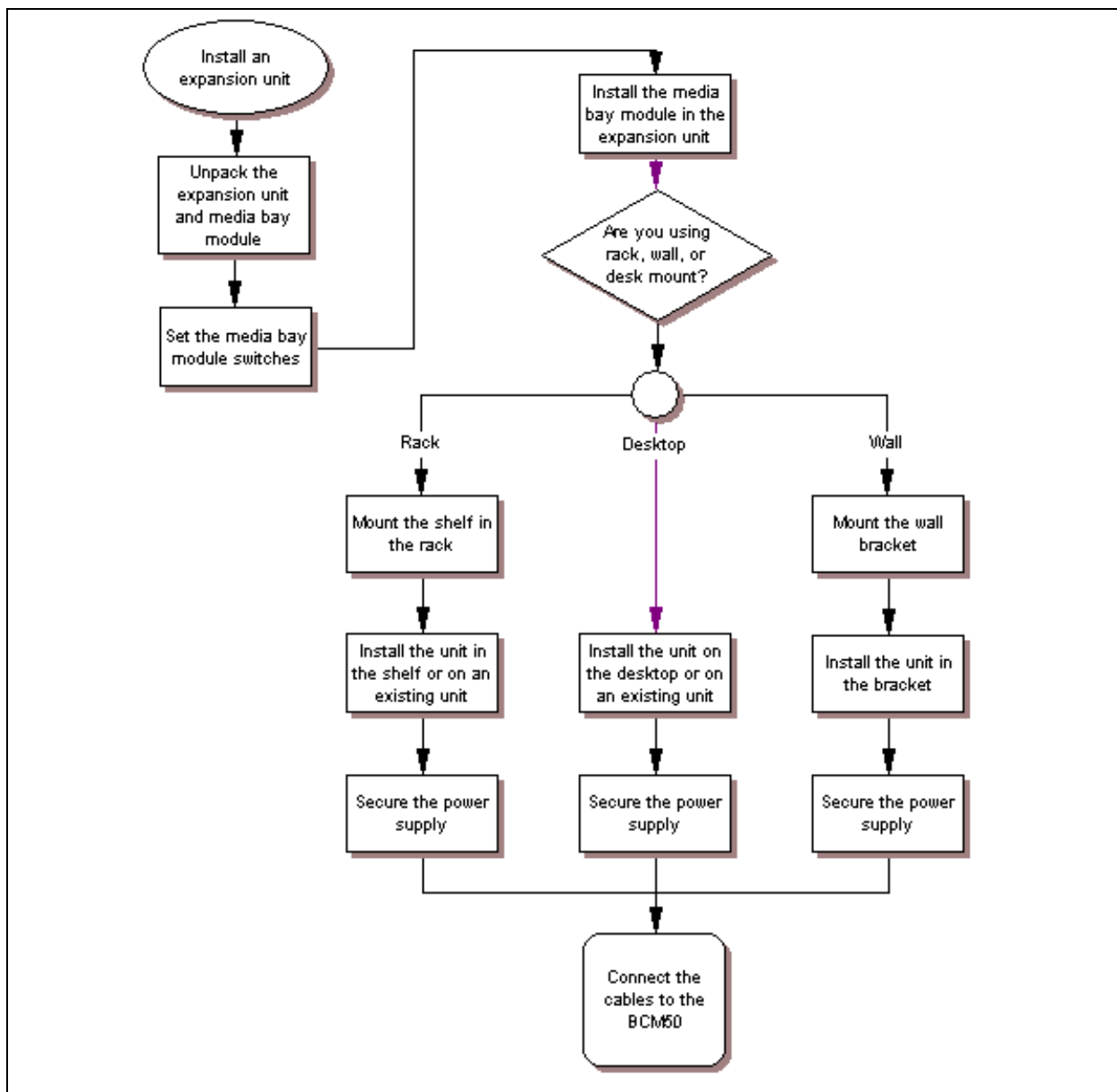
Chapter 8

Installing an expansion unit

Adding an expansion unit increases the capacity of your BCM50 system by providing a method of adding a media bay module (MBM). Each MBM you add increases the number of public switched telephone network (PSTN) trunks or extensions that you can connect to the BCM50 system.

The figure [Overview of installing a expansion unit](#) on page 97 shows the steps required to install the expansion unit.

Figure 45 Overview of installing a expansion unit



For information about installing an expansion unit:

- [Unpacking the expansion unit](#) on page 98
- [Verifying the media bay module switch settings](#) on page 98
- [Installing a media bay module in an expansion unit](#) on page 102
- [Installing the expansion unit](#) on page 103

Unpacking the expansion unit

Open the expansion unit box and remove all the components. Check that the box contains the following components:

- one expansion unit
- one expansion unit power supply
- one power supply cable
- one expansion cable (shielded Ethernet cable)
- one power supply retention clip
- four rubber feet

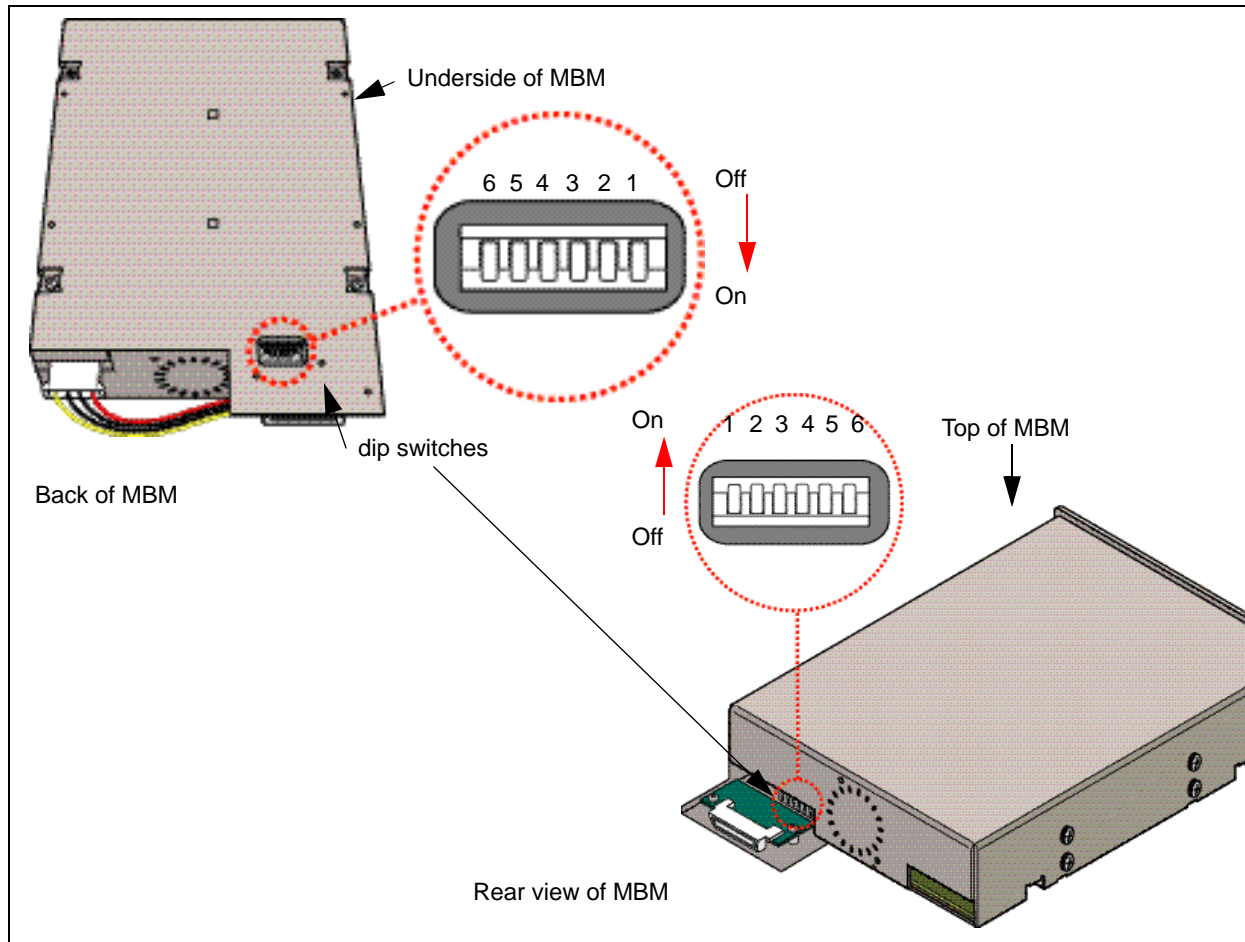
Visually inspect the components for damage during shipping. If you find damage, contact your Nortel representative.



Warning: Make sure the power supply to the expansion unit is disconnected before inserting or removing an MBM.

Verifying the media bay module switch settings

Each MBM has dip switches on the back or underside of the module. See the figure [Switches on the media bay module \(not applicable for GASM or GATM\)](#) on page 99.

Figure 46 Switches on the media bay module (not applicable for GASM or GATM)

Note: The GASM and GATM MBMs have a dip switch configuration different from that shown in the figure [Switches on the media bay module \(not applicable for GASM or GATM\)](#) on page 99. For more information, see the procedure [To set GASM dip switches](#) on page 100 and the procedure [To set GATM dip switches](#) on page 101.

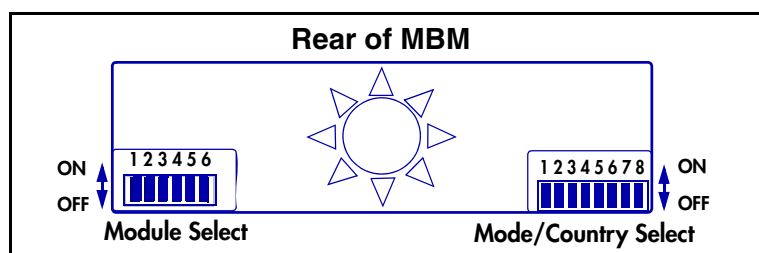
Verify that the dip switches for your MBMs are in the default factory positions.

If you install a DTM, ADID4, ADID8, BRIM, 4x16, DSM16, DSM32, or ASM8, ensure that all the switches are on, which is the default setting for the MBM switches. After you set the switches, proceed to [Installing a media bay module in an expansion unit](#) on page 102.

To set G4x16 or G8x16 dip switches

- 1 Set the Module Select dip switches to on (up). See the figure [G4x16/G8x16 dip switch location](#) on page 100.
- 2 Set the Mode/Country Select dip switches to off (down); this setting allows the MBM to automatically download the country profile settings.

Figure 47 G4x16/G8x16 dip switch location



For information about line and DN settings, see the table [G4x16/G8x16 lines and DNs settings](#) on page 100.

Table 16 G4x16/G8x16 lines and DNs settings

| Expansion unit | Module | Card | Lines | DNs |
|----------------|--------|------|------------------------------------|---------|
| 1 | 05 | 01 | 065-068 (G4X16) 065-072 (G8x16) | 253-268 |
| 2 | 07 | 01 | 095-098 (G4X16) 095-102 (G8X16) | 285-300 |

To set GASM dip switches

- 1 For the dip switches on the left side at the rear of the module, set all switches to on.
- 2 For the dip switches on the right side at the rear of the module, set the switches according to the table [GASM dip switch settings \(switch 1–3\)](#) on page 100 and the table [GASM dip switch settings \(switch 4–8\)](#) on page 101.

Table 17 GASM dip switch settings (switch 1–3)

| Switch | Description | Setting |
|----------|-----------------------------------------------------------------------------|---------------------------------------------------------------------------------------------------------------------------------------------------------------------------------------------------------------------------------------------------|
| Switch 1 | Firmware download capability | OFF—Standard mode (firmware downloading not supported) ON—Enhanced mode (firmware downloading supported) |
| Switch 2 | Set when the firmware is downloaded from the BCM50 (for enhanced mode only) | OFF—if you want the GASM to download the firmware when the firmware version in the BCM50 is different from the version in the GASM (default) ON—if you want the GASM to download the firmware whenever a cold start is performed for the BCM50 |
| Switch 3 | Enable or disable echo cancellation | OFF—Enables echo cancellation (default) ON—Disables echo cancellation |

Table 18 GASM dip switch settings (switch 4–8)

| Switches 4 to 8 select the region for the GASM as follows: | | | | | |
|------------------------------------------------------------|----------|----------|----------|----------|----------|
| | Switch 4 | Switch 5 | Switch 6 | Switch 7 | Switch 8 |
| North America | OFF | OFF | OFF | OFF | OFF |
| United Kingdom | OFF | OFF | OFF | OFF | ON |
| Australia | OFF | OFF | OFF | ON | OFF |
| Poland | OFF | OFF | OFF | ON | ON |

- 3 After you set the switches, proceed to [Installing a media bay module in an expansion unit](#) on page 102.

To set GATM dip switches

- 1 For the dip switches on the left side at the rear of the module, set all switches to on.
- 2 For the dip switches on the right side at the rear of the module (country profile switches), set all switches to off. The GATM downloads the country profiles automatically.
- 3 After you set the switches, proceed to [Installing a media bay module in an expansion unit](#) on page 102.

Installing a media bay module in an expansion unit



Warning: Risk of shock.

Only qualified telecommunications service personnel are permitted to service this equipment.

Ensure the BCM system is unplugged from the power socket and that any telephone or network cables are unplugged before opening.

The MBMs have been safety-approved for installation into the BCM system. It is the responsibility of the installer and user to ensure that installation of the hardware does not compromise existing safety approvals or local electrical code regulations for telecommunications equipment and wiring installation.

Do not connect the digital station ports of the DSM16+, DSM32+, or Combination MBMs to the PSTN. Only approved digital phone sets or peripheral devices can connect to the DSM16+, DSM32+, and Combination MBMs.



Warning:

Digital Station ports DSM16+, DSM32+, and Analog Station ports GASM8 must not be connected to exposed plant. This includes Digital Station ports residing on the Combination MBMs G4x16 and G8x16. Use only proprietary Nortel Digital Station Sets for connection to digital ports and agency approved Analog devices for connection to the Analog Station ports.

The digital station ports of the Combination MBMs must not be connected to exposed plant

Follow this procedure to install a media bay module (MBM).

To install an MBM

- 1 Attach one end of a grounding strap to your wrist and the other end to a grounded metal surface.
- 2 With the face of the MBM toward you, insert the MBM into the expansion unit.
- 3 Push the MBM completely into the expansion unit. You hear a click when the MBM is firmly seated in the expansion unit.

The MBM must be configured for it to function. For information about configuring an MBM, see the procedure [To configure the MBM\(s\)](#) on page 158.

- 4 Proceed with [Installing the expansion unit](#) on page 103.

Installing the expansion unit

Make sure that the expansion unit is installed close enough to the main unit so that the supplied expansion cable can be connected between the expansion unit and main unit.

The expansion unit can be mounted in a rack, on a wall, or on a desktop. Typically, the expansion unit is mounted in the same way as the main unit.

Use one of the following procedures to mount the expansion unit:

- [Installing the BCM50 unit in an equipment rack](#) on page 84
- [Installing the BCM50 unit on the wall](#) on page 88
- [Installing the BCM50 unit on a desktop or shelf](#) on page 93

Next step

If you install a second expansion unit on the system, repeat the procedures in this section for the second expansion unit.

After you install the expansion unit, proceed to [Connecting the cables to the BCM50 system](#) on page 105.

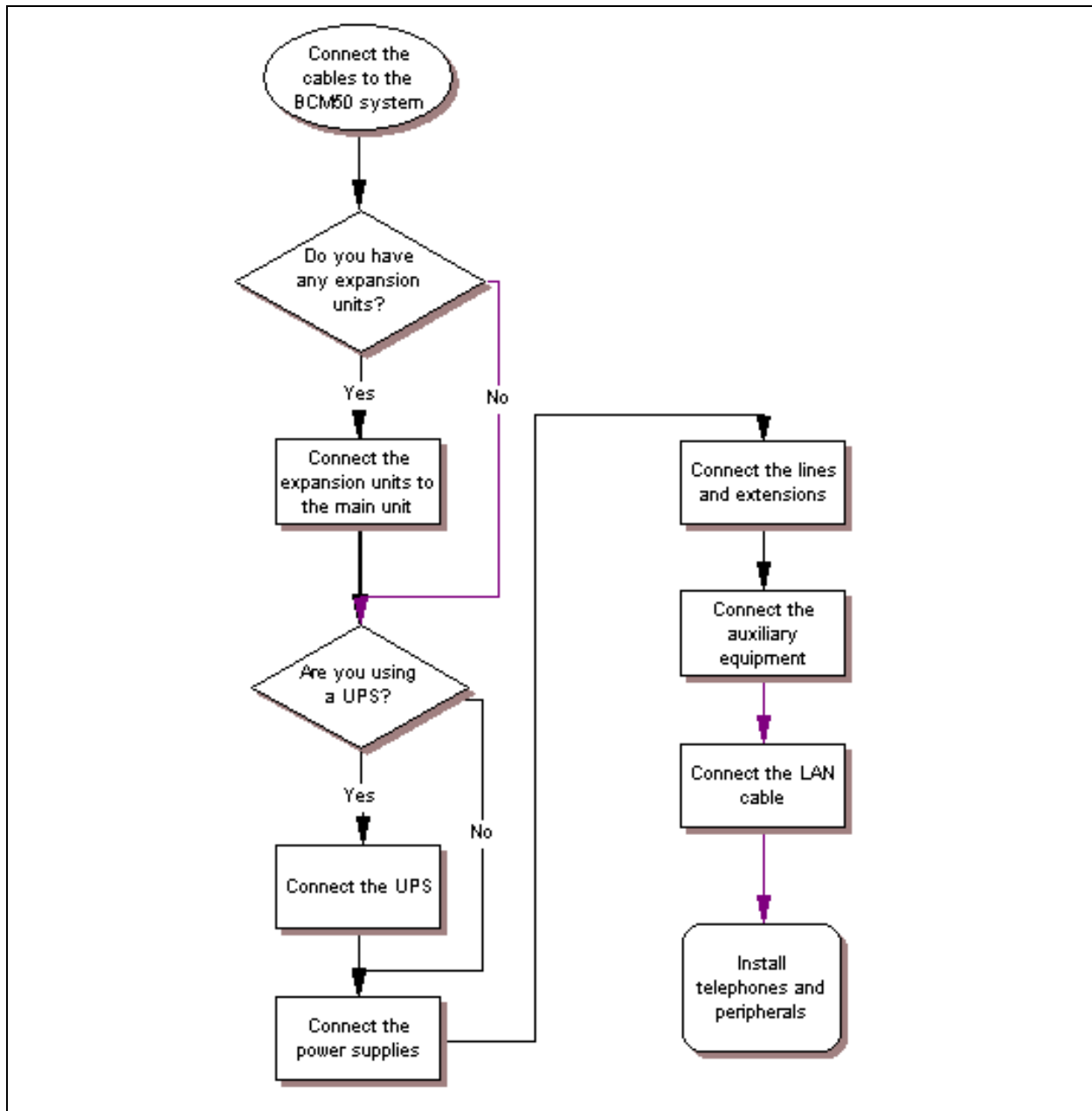
Chapter 9

Connecting the cables to the BCM50 system

This section describes how to connect the telephone lines, telephony devices, and power to the BCM50 system.

The figure [Overview of connecting cables to the BCM50 system](#) on page 105 shows the steps required to connect the cables to the BCM50 system.

Figure 48 Overview of connecting cables to the BCM50 system



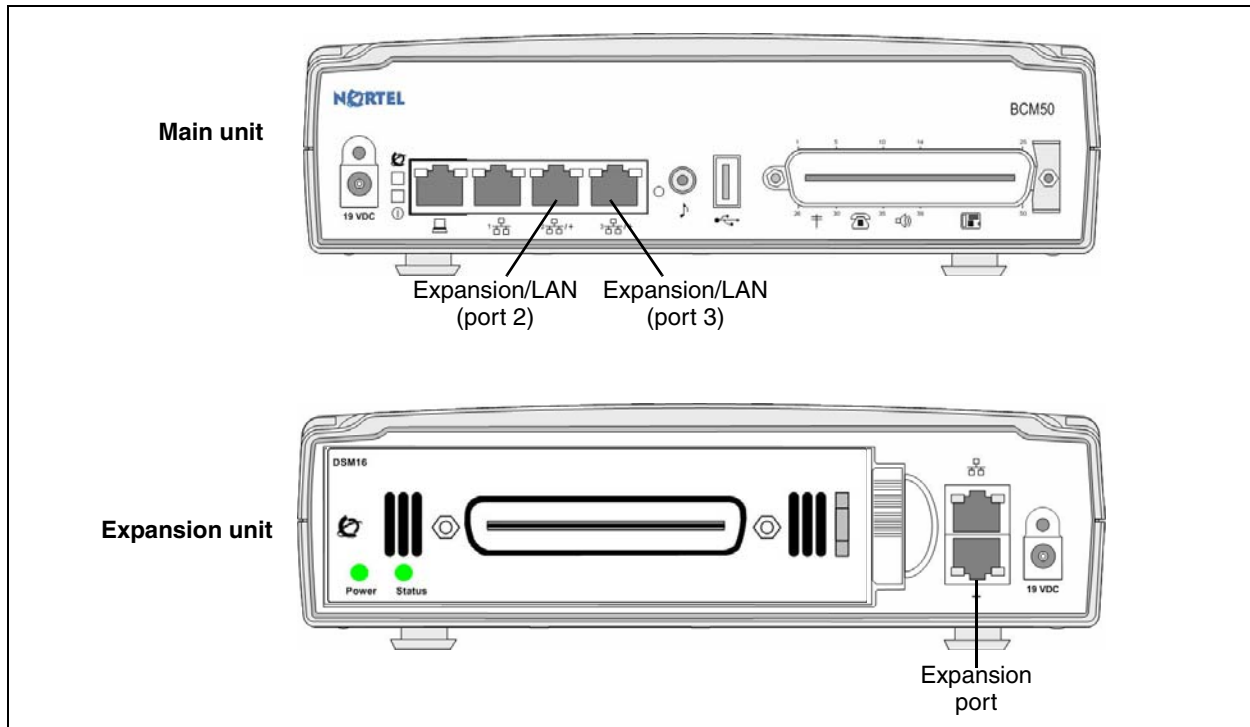
For information about connecting the cables to the BCM50 system:

- [Connecting the expansion unit](#) on page 106
- [Connecting the power supply](#) on page 108
- [Connecting the lines and extensions](#) on page 110
- [Connecting the auxiliary equipment](#) on page 115

Connecting the expansion unit

The expansion unit connects to the main unit through the expansion ports on the front of the units. The figure [Expansion ports](#) on page 106 shows the location of the expansion ports on the BCM50 main unit and the expansion unit.

Figure 49 Expansion ports



Note: The expansion unit connected to expansion/LAN port 2 on the main unit is designated as Expansion 1 in Element Manager, while the expansion unit connected to expansion/LAN port 3 is designated as Expansion 2.

Use this information to configure the correct media bay module (MBM) in Element Manager (see [Configuring the media bay module](#) on page 158).

If your BCM50 system does not have an expansion unit, proceed to [Connecting the power supply](#) on page 108.

To connect an expansion unit



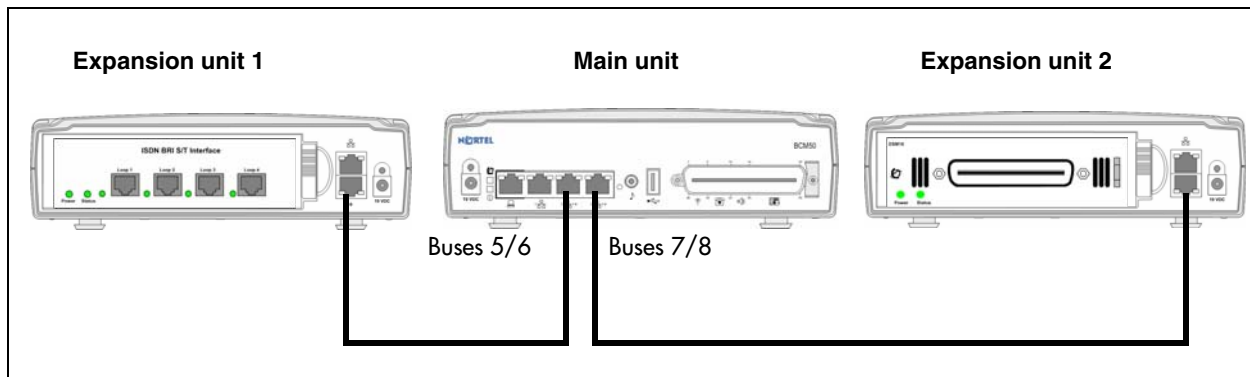
Note: Keycodes are required for the expansion ports to function. If you purchase a keycode for one expansion port only, expansion/LAN port 2 (on the left) is active.

- 1 Locate the expansion cable supplied with the expansion unit.
If have no expansion cable, you can use a shielded category 5e-compliant Ethernet cable (maximum length of 10 m).
- 2 Plug one end of the expansion cable into the expansion port on the expansion unit.
- 3 Perform one of the following tasks (see the figure [Connecting the expansion unit to the BCM50 main unit](#) on page 107):
 - **To connect the first expansion unit:** Plug the other end of the expansion cable into expansion/LAN port 2 on the main unit. This expansion unit is now designated as Expansion 1 in Element Manager.
 - **To connect the second expansion unit:** Plug the other end of the expansion cable into expansion/LAN port 3 on the main unit. This expansion unit is now designated as Expansion 2 in Element Manager.



Note: When you plug an expansion unit into the correct port on the main unit, the LEDs on the expansion unit port light, while the LEDs on the main unit port turn off.

Figure 50 Connecting the expansion unit to the BCM50 main unit



The expansion port you select determines the line and extension numbers of the devices connected to the expansion unit. For the default line and extension numbers, see the table [Default line and extension numbers](#) on page 108. If you have a second expansion unit, repeat steps 1 to 3 for the second unit.

Table 19 Default line and extension numbers

| | Default extension numbers* | Default line numbers* |
|------------------------------------------------------------------------------------------------------------------------------------------------------|-------------------------------------|------------------------------|
| Main unit | Digital: 221–232 Analog: 233–236 | 061–064 |
| Expansion port 1 | 237–268 | 065–094 |
| Expansion port 2 | 269–300 | 095–124 |
| * The number and type of lines and extensions that are available on the expansion ports are determined by the MBM you install in the expansion unit. | | |

Connecting the power supply

An uninterruptible power supply (UPS) is an optional device that you connect to your BCM50 system. The UPS provides battery backup for the BCM50 system to maintain continuous operation during a power interruption or failure. For more information about the UPS, see [Uninterruptable power supply](#) on page 55.

When connecting a UPS, you must use a USB hub between the UPS and the BCM50 system.

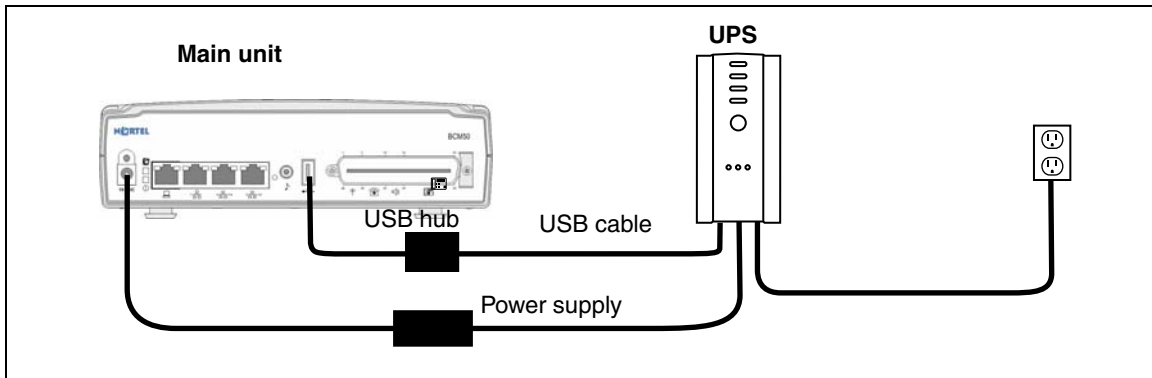


Note: For the UPS to function correctly, you must first connect it before you power up the BCM50 system. If you connect a UPS to a running system, the UPS does not function.



Note: International (non-North American) users require the power supply adapter cord to connect the power supply to the special power bar. For more information, see [Power supply adapter cord \(international users\)](#) on page 55.

The figure [Connect a UPS](#) on page 109 shows how to connect the UPS.

Figure 51 Connect a UPS

If your BCM50 system does not have a UPS, continue with the procedure [To connect a power supply without a UPS](#) on page 109.

To connect a power supply using a UPS

- 1 Mount the UPS within 1.5 meters (5 ft.) of the BCM50 units.
The UPS must be close enough to the BCM50 units that you can connect the power supply to both the UPS and the BCM50 units.
- 2 Plug one end of the USB cable into the USB port on the UPS.
For information about the location of the ports on the UPS, see the UPS documentation.
- 3 Plug the other end of the USB cable into the USB hub.
- 4 Plug one end of the second USB cable into the USB hub.
- 5 Plug the other end of the second USB cable into the USB port on the main unit.
- 6 Plug the UPS power cord into the AC power source (wall outlet).
- 7 Proceed to [Connecting the lines and extensions](#) on page 110.

To connect a power supply without a UPS

- 1 Unpack the new power supply.
- 2 Check the power supply for damage. If you find damage, contact your Nortel representative.



Warning: Do not use the power supply if the power supply cord or power supply cable is damaged.

- 3 Rotate the retention clip so the power outlet is open.
- 4 Plug the power supply cord into the BCM50 unit.



Note: Use only the power supply that is approved by Nortel for use with the BCM50 units.

- 5 Rotate the retention clip so that it locks the power supply cord in place.
- 6 Plug one end of the power supply cable into the power supply.
- 7 Plug the other end of the power supply cable into the AC power source (wall outlet).
- 8 Repeat steps 1 to 6 for each BCM50 unit.



Warning: Leakage currents

You must reconnect the power cords to a grounded outlet before reconnecting the telephony and data networking cables.

- 9 Proceed to [Connecting the lines and extensions](#) on page 110.

Connecting the lines and extensions

The telephone lines and extensions connect to the BCM50 system through an RJ-21 telephony connector on the front of the main unit and to the connectors on the MBM installed in the expansion units.

You can also use the optional wiring field card (WFC) to simplify the connection of the lines and extensions to the RJ-21 telephony connector in a wall-mount or desktop-mount installation. For rack-mount installations you can use the optional rack-mount patch panel.

For information about connecting lines and extensions:

- [Wiring warnings](#) on page 111
- [Connecting lines and extensions to the RJ-21 telephony connector](#) on page 112
- [Connecting telephone lines to the expansion units](#) on page 113
- [Connecting extensions to the expansion units](#) on page 114
- [To connect the cables to the wiring field card \(optional\)](#) on page 119

Wiring warnings

Read the following warnings before you connect any telephone lines or extensions to the BCM50 system.



Warning: Electrical shock warning

The MBMs are safety approved for installation into the expansion unit. The installer and user must ensure that installation of the hardware does not compromise existing safety approvals.

BEFORE YOU OPEN the main unit or expansion unit, ensure that the network telecommunication cables are unplugged and the unit is disconnected from the AC power source.

Station modules: Connect the ports on these modules only to approved digital telephones and peripherals with the proper cables on a protected internal wiring system.

Do not connect telephones to wiring that extends to the outside of the building.

Read and follow the installation instructions carefully.



Warning: Use only qualified persons to service the system.

Service personnel with the appropriate training and experience must perform the installation and service of this unit. Service personnel must be aware of the hazards of working with telephony equipment and wiring. They must have experience in techniques that minimize any danger of shock or equipment damage.

Warning: Leakage currents

Service personnel must be alert to the possibility of high leakage currents becoming available on metal system surfaces during power-line fault events on network lines. These leakage currents normally flow safely to protective earth ground through the power cord. However, if the AC power is unplugged prior to disconnecting the cables from the BCM50 units, this hazard can occur.

System shutdown: You must disconnect the telephony and data networking cables from the system before disconnecting the power cord from a grounded outlet.

System startup: You must reconnect the power cords to a grounded outlet before reconnecting the telephony and data networking cables.

**Danger: Electrical shock hazards**

Electrical shock hazards from the telecommunications network and AC mains are possible with this equipment. To minimize risk to service personnel and users, you must connect the BCM50 system to an outlet with a third-wire ground. In addition, all unused slots must have blank faceplates installed. The covers on all units must be in place after servicing.

Connecting lines and extensions to the RJ-21 telephony connector

You can connect 4 analog lines, 4 analog extensions, and 12 digital extensions to the RJ-21 telephony connector.

If you use the WFC to connect the lines and extensions to the RJ-21 telephony connector, see [Installing the wiring field card \(optional\)](#) on page 92 and the procedure [To connect the cables to the wiring field card \(optional\)](#) on page 119.



Warning: If you use the same phone line for both an analog trunk and a DSL line, you must install a DSL filter on the analog trunk to avoid interference with the DSL modem.

To connect the lines and extensions

- 1 Read the warnings in [Wiring warnings](#) on page 111.
- 2 Obtain a 25-pair cable with an RJ-21 connector on one end.
- 3 Remove the appropriate side breakout from the cable-management door:
 - If this is the first unit on a BCM50 system with multiple units, remove the side breakout from the right side of the cable-management door.
 - If this is the center unit on a BCM50 system with more than two units, remove the side breakout from both sides of the cable-management door.
- 4 Plug the RJ-21 connector into the RJ-21 telephony connector on the main unit.
- 5 Select the appropriate option to secure the RJ-21 connector to the main unit:
 - If you use a straight RJ-21 connector, use the two supplied screws on the sides of the connector to secure it.
 - If you use a right-angle RJ-21 connector, use the supplied screw on the left side of the connector to secure the left side of the connector. To secure the right side of the connector, use the supplied cable tie to fasten the 25-pair cable to the anchor on the main unit.
- 6 Connect the four pairs of wires for the analog lines to the telephone company demarcation blocks of the building.
- 7 Connect the four pairs of wires for the analog telephones to the local connecting blocks.
- 8 Connect the 12 pairs of wires for the digital telephones to the local connecting blocks.

- 9 Select the appropriate option for your system:
 - If your BCM50 system has an expansion unit, proceed to [Connecting telephone lines to the expansion units](#) on page 113 or [Connecting extensions to the expansion units](#) on page 114.
 - If your BCM50 system has no expansion unit, proceed to [Connecting the auxiliary equipment](#) on page 115.

For detailed information about wiring the RJ-21 telephony connector, see [RJ-21 telephony connector wiring chart](#) on page 209.

Connecting telephone lines to the expansion units

Telephone lines connect to the expansion unit through the connectors on the MBM installed in the expansion unit.

To connect telephone lines to DTM, BRIM, or 4x16 MBMs

- 1 Read the warnings in [Wiring warnings](#) on page 111.
- 2 Obtain a telephone cable that has a modular plug that matches the MBM to which you are connecting:
 - RJ-48C—for DTM
 - RJ-45—for BRIM
 - RJ-11—for 4x16
- 3 Plug the modular cable into the jack in the front of the MBM.
- 4 Connect the other end of the cable to the telephone company demarcation blocks of the building.
- 5 If you connect telephone lines to a 4x16 or BRIM, repeat steps 2 to 4 for each line.



Warning: If the network ISDN is a U-loop, you must connect the BRIM only to an NT1 provided by the service provider. The NT1 must provide a Telecommunication Network Voltage (TNV) to Safety Extra Low Voltage (SELV) barrier.



Note: Do not attempt to plug digital equipment into the auxiliary (AUX) jacks on the front of 4x16 MBM.

- 6 Select the appropriate option for your system:
 - If you connect a 4x16 MBM, go to [Connecting extensions to the expansion units](#) on page 114 for instruction about wiring the extensions for this MBM.
 - If your BCM50 system has another expansion unit, repeat this procedure if you add more telephone lines, or proceed to [Connecting extensions to the expansion units](#) on page 114 if you add extensions.

- If your BCM50 system has no other expansion unit, proceed to [Connecting the auxiliary equipment](#) on page 115.

To connect analog telephone lines to the GATM4/GATM8 or G4x16/G8x16

- 1 Read the warnings in [Wiring warnings](#) on page 111.
- 2 Obtain a 25-pair cable with an RJ-21 connector on one end.
- 3 Plug the RJ-21 connector of the cable into the RJ-21 connector on the front of the MBM.
Use the lower RJ-21 connector on the G4x16/G8x16 MBMs to connect analog lines.
- 4 Select the appropriate option to secure the RJ-21 connector to the MBM:
 - If you use a straight RJ-21 connector, use the two supplied screws on the sides of the connector to secure it.
 - If you use a right-angle RJ-21 connector, use the supplied screw on the left side of the connector to secure the left side of the connector. To secure the right side of the connector, use the supplied cable tie to fasten the 25-pair cable to the anchor on the MBM.
- 5 Connect the other end of the cable to the telephone company demarcation blocks of the building.
- 6 Select the appropriate option for your system:
 - If your BCM50 system has another expansion unit, repeat this procedure if you add more telephone lines, or proceed to [Connecting extensions to the expansion units](#) on page 114 if you add extensions.
 - If your BCM50 system has no other expansion unit, proceed to [Connecting the auxiliary equipment](#) on page 115.

For information about wiring the trunk MBMs:

- [DTM wiring chart](#) on page 221
- [BRIM wiring chart](#) on page 223
- [GATM wiring chart](#) on page 227
- [4x16 wiring charts](#) on page 231
- [G4x16 and G8x16 wiring charts](#) on page 235

Connecting extensions to the expansion units

Extensions connect to the expansion unit through the connectors on the MBM installed in the expansion unit.

To connect extensions to DSM16, DSM32, ASM8, 4x16, G4x16, or G8x16 MBMs

- 1 Read the warnings in the [Wiring warnings](#) on page 111 section.
- 2 Obtain a 25-pair cable with an RJ-21 connector on one end.
- 3 Plug the RJ-21 connector of the cable into the RJ-21 connector on the front of the MBM.
Use the upper RJ-21 connector on the G4x16/G8x16 MBMs to connect digital extensions.
- 4 Select the appropriate option to secure the RJ-21 connector to the MBM:
 - If you use a straight RJ-21 connector, use the two supplied screws on the sides of the connector to secure it.
 - If you use a right-angle RJ-21 connector, use the supplied screw on the left side of the connector to secure the left side of the connector. To secure the right side of the connector, use the supplied cable tie to fasten the 25-pair cable to the anchor on the MBM.
- 5 Connect the other end of the cable to the local connecting blocks.
- 6 If you connect extensions to a DSM32, repeat steps 2 to 5 for the second RJ-21 connector.
- 7 Select the appropriate option for your system:
 - If your BCM50 system has another expansion unit, repeat this procedure if you add more extensions, or proceed to [Connecting telephone lines to the expansion units](#) on page 113 if you add telephone lines.
 - If your BCM50 system has no other expansion unit, proceed to [Connecting the auxiliary equipment](#) on page 115.

For information about wiring the station MBMs:

- [4x16 wiring charts](#) on page 231
- [G4x16 and G8x16 wiring charts](#) on page 235
- [DSM16 and DSM32 wiring charts](#) on page 239
- [ASM8, ASM8+, and GASM wiring chart](#) on page 243

Connecting the auxiliary equipment

The main unit has connections for an auxiliary ringer, an external paging system, and a music source.

You can connect this auxiliary equipment through the auxiliary terminal block on the wiring field card (WFC) or the patch panel. See the procedure [To connect the cables to the wiring field card \(optional\)](#) on page 119 or the procedure [To connect the cables to the patch panel \(optional\)](#) on page 119.

For information about connecting auxiliary equipment:

- [Connecting an auxiliary ringer](#) on page 116
- [Connecting an external paging system](#) on page 116
- [Connecting an external music source](#) on page 117

Connecting an auxiliary ringer

An auxiliary ringer is a customer-supplied piece of hardware that provides external ringing capability to telephones on the BCM50 system.

To install an auxiliary ringer

- 1 Use the installation instructions supplied with the ringer hardware to install the auxiliary ringer.
- 2 Connect the ringer generator to the auxiliary ringer output pair on the RJ-21 telephony connector. To determine which pair of wires to use for the auxiliary ringer, see [RJ-21 telephony connector wiring chart](#) on page 209.



Warning: You must not connect auxiliary ringer to unprotected plant wiring. The ringer must not draw more than 50 mA from a 40 V DC source.

- 3 Select the appropriate option for your system:
 - If you add more auxiliary equipment, proceed to [Connecting an external paging system](#) on page 116 or [Connecting an external music source](#) on page 117.
 - When you finish adding auxiliary equipment, proceed to [Next step](#) on page 120.

Connecting an external paging system

You can connect a customer-supplied external paging system to provide paging over external loudspeakers.

Ensure the paging system follows these guidelines:

- The paging output from the main unit is 100 mV rms across an input impedance of 600 Ω .
- The output level is 0 dBm0 with reference to 600 ohms for a PCM encoded signal at 0 dBm. There is no DC voltage across the page output terminals.

When you use the page signal output to connect an external paging amplifier, you also use the page relay output that contains a floating relay contact pair. The system uses this output to control the external paging amplifier.

- The contact pair for the page relay output has a switch capacity of 50 mA (non inductive) at 40 V (maximum).

To install an external paging system

- 1 Use the installation instructions supplied with the external paging hardware to install the external paging system.
- 2 Connect the paging system audio input to the page output on the RJ-21 telephony connector. To determine which pair of wires to use for the page output, see [RJ-21 telephony connector wiring chart](#) on page 209.

- 3 Connect the paging system relay to the page relay output on the RJ-21 telephony connector. To determine which pair of wires to use for the page relay output, see [RJ-21 telephony connector wiring chart](#) on page 209.



Warning: You must connect the paging connections to unprotected telephony plant wiring.



Tip: Paging tips

External paging does not support talk back paging equipment unless you use an external line port.

The BCM50 system provides paging over the telephone speakers when no external paging equipment is available.

- 4 Select the appropriate option for your system:
 - If you add more auxiliary equipment, proceed to [Connecting an external music source](#) on page 117 or [Connecting an auxiliary ringer](#) on page 116.
 - When you finish adding auxiliary equipment, proceed to [Next step](#) on page 120.

Connecting an external music source

Use this procedure to connect an external music source to the BCM50 system. You can use any customer-supplied, approved, low-power device as a music source. A music source includes equipment such as a radio with a high-impedance earphone jack.

For information about connecting an external music source:

- [Music source specifications](#) on page 117
- [To connect the music source using the music source jack](#) on page 118
- [To connect the music source using the RJ-21 telephony connector](#) on page 118

Music source specifications

Ensure that the music source follows these guidelines:

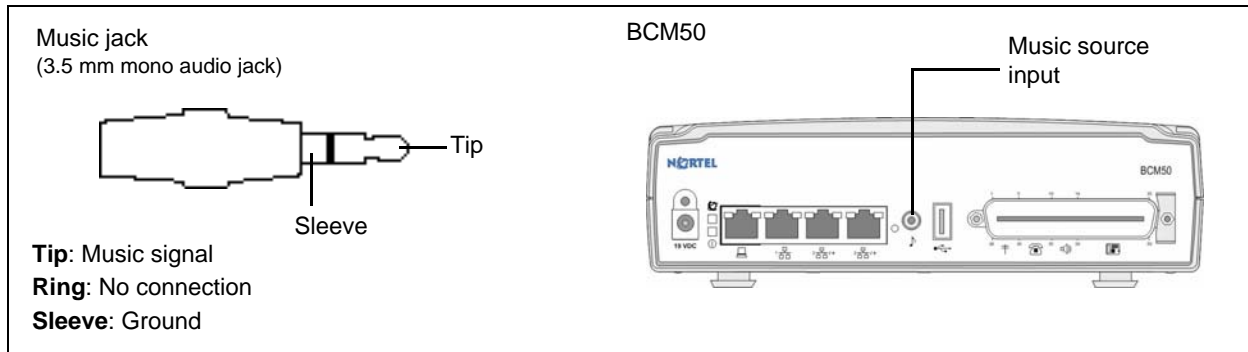
- Nominal input impedance is 3.3 kilohms.
- Nominal sensitivity of this interface returned to digital encoded PCM is -22 dBm0 for a 0.25 V rms input signal.
- The input is limited so that the encoded analog content at the digital interface to the network does not exceed -12 dBm when averaged over any three-second interval.
- The maximum non clipped input level is 1 V rms.
- The interface is protected against ringing cross.

The music source jack is on the front of the main unit. If you use the music source jack to connect the music source, do not connect a music source to the music source pair on the RJ-21 telephony connector.

To connect the music source using the music source jack

- 1 Connect the miniature jack of the music source output (3.5 mm mono audio jack) to the music source input on the BCM50 main unit. See the figure [Music source jack](#) on page 118.

Figure 52 Music source jack



- 2 Adjust the volume of the music source to an appropriate level by placing a call and putting it on hold, and then adjust the volume at the music source.



Tip: You can adjust the background music volume at every telephone.

- 3 Select the appropriate option for your system:
 - If you add more auxiliary equipment, see [Connecting an external paging system](#) on page 116 or [Connecting an auxiliary ringer](#) on page 116.
 - When you finish adding auxiliary equipment, proceed to [Next step](#) on page 120.

To connect the music source using the RJ-21 telephony connector



Note: If you use the RJ-21 telephony connector to connect the music source, do not connect a music source to the music source jack on the front of the main unit.

- 1 Connect the music source output to the music source input on the RJ-21 telephony connector. To determine which pair of wires to use for the music source input, see [RJ-21 telephony connector wiring chart](#) on page 209.
- 2 Adjust the volume of the music source to an appropriate level by placing a call and putting it on hold, and then adjust the volume at the music source.



Tip: You can adjust the background music volume at every telephone.

- 3** Select the appropriate option for your system:
 - If you add more auxiliary equipment, proceed to [Connecting an external paging system](#) on page 116 or [Connecting an auxiliary ringer](#) on page 116.
 - When you finish adding auxiliary equipment, proceed to [Next step](#) on page 120.

To connect the cables to the wiring field card (optional)

- 1** Plug the RJ-21 end of the cable assembly into the RJ-21 telephony connector.
The cable is now permanently connected to the RJ-21 telephony connector.
- 2** Remove the terminal block from the WFC:
 - a** Slide a small flat screwdriver into the rectangular opening at the back of the terminal block.
 - b** Pry the terminal block so the top rotates forward and the block comes free.
Make the connections to the terminal block while it is removed from the header.
- 3** Use a small slotted screwdriver to unscrew the wire hole screws on top of the terminal block.
- 4** Insert the bare wire ends (6 mm or 0.25 in.) in the appropriate holes on the sides of the terminal block.
- 5** Tighten the screws to hold the wires in place.
- 6** Reinstall the terminal block on the header of the WFC.
- 7** Connect the remaining wires (digital telephones, analog telephones, and analog trunks) to the WFC.
The eight-pin modular jacks on the WFC accept RJ-45 or RJ-11 modular plugs.
- 8** Connect cables to the main unit as required.

To connect the cables to the patch panel (optional)

- 1** Plug the RJ-21 end of the cable assembly into the RJ-21 telephony connector.
- 2** Plug the other end of the cable assembly into the patch panel header.
The cable locks in place.
- 3** Remove the terminal block from the patch panel:
 - a** Slide a small flat screwdriver into the rectangular opening at the back of the terminal block.
 - b** Pry the terminal block so the top rotates forward and the block comes free.
Make the connections to the terminal block while it is removed from the header.

- 4 Use a small slotted screwdriver to unscrew the wire hole screws on top of the terminal block.
- 5 Insert the bare wire ends (6 mm or 0.25 in.) in the appropriate holes on the sides of the terminal block.
- 6 Tighten the screws to hold the wires in place.
- 7 Reinstall the terminal block on the patch panel.
- 8 Connect the wires (digital telephones, analog telephones, and analog trunks) to the patch panel.
- 9 Connect cables to the main unit as required.

Next step

After you connect the cables to the BCM50 system, you can configure the initial parameters. For information about configuring these parameters, see [Installing telephones and peripherals](#) on page 121.

Chapter 10

Installing telephones and peripherals

This section describes how to install telephones and peripherals.

You can add telephones and peripherals before or after you initialize your system. Which station media bay module (MBM) you use determines your telephone configuration.

When you initialize the BCM50, it creates default settings for telephone DN records. The settings are based on which telephony profile you chose. To change these settings, use the Element Manager application. Specific instructions for configuring telephone operation through Element Manager are in the *Nortel Business Communications Manager 5.0 Configuration—Devices*.



Note: For detailed information about installing various telephones and peripherals, see the documentation for your particular telephone or peripheral.



Note: Programming occurs on the telephone when the BCM50 system recognizes the telephone on the system.

For information about installing telephones and peripherals:

- [System telephones](#) on page 121
- [Installing an emergency telephone](#) on page 122
- [Installing IP phones](#) on page 122

System telephones

The BCM50 system supports a number of analog, digital, IP telephony, and cordless telephones. For more information on supported telephones, see the *Nortel Business Communications Manager 5.0 Configuration—Telephony*.

Analog telephones are supported either through the analog station ports on the main unit, analog station MBMs (ASM), or by connecting to a digital module through an analog terminal adapter 2 (ATA2).

Each piece of equipment has documentation describing installation and telephone features.

Analog terminal adapter 2

The analog terminal adapter 2 (ATA2) connects a standard analog voice device or data communication device to a digital station connector on the BCM50 system.

For the requirements and procedure to install the device, see [Installing the analog terminal adapter](#) on page 123.

Installing an emergency telephone

You can use the emergency telephone to make calls when no power is available to the BCM50 system.

Emergency telephone will work if it is connected to CSC 1.0 hardware, however it will not work with later hardware versions.

Emergency telephone will work only if it is connected to expansion unit with a caller ID trunk module (CTM) or a global analog trunk module (GATM) on the CSC 1.0 (Indicated by telegraph pole label) and providing first line and first analog set.

To install an emergency telephone on the BCM50 system, connect a single-line analog telephone to the auxiliary port on the CTM/GATM. When you make a call from the emergency telephone, the auxiliary port uses the telephone line connected to the line 1 port of the CTM or GATM.

You can connect an emergency telephone to every CTM installed on your BCM50 system.

To install the emergency telephone

- 1 Connect a single-line analog telephone to the auxiliary port on the CTM or GATM.
- 2 Connect an analog PSTN line cable to the line 1 port of the CTM or GATM.
- 3 On the main unit (if CSC 1.0):
 - Connect a single-line analog telephone to the first analog station port on the main unit (pins 30 + 5 / i.e. White-Slate & Slate-White)
 - Connect an analog PSTN line cable to the first line port on the main unit (pins 26 + 1 / i.e. white-blue & blue-white).

Installing IP phones

You can set the system to automatically assign DNs to the IP Phones. The autoassign feature assigns DNs in the configured IP DN range.

If you choose to manually assign DNs, choose DNs in the assigned DN range. Ensure that the DN type in each DN record is set to IP telephony.

For details about configuring DN records for the IP telephones, see the *Nortel Business Communications Manager 5.0 Configuration—Telephony*.

Chapter 11

Installing the analog terminal adapter

This section provides installation instructions for the analog terminal adapter 2 (ATA2) or ATA.

The ATA2 connects a standard analog voice device or data communication device to the BCM50 system through a digital station module. Examples of analog voice devices are analog telephones and answering machines. Examples of analog data communication devices are modems and fax machines.

The ATA2 is designated as either an ONS (on-premise station) or an OPS (off-premise station) port.

For information about installing an ATA2:

- [Configuration overview](#) on page 123
- [Installing the ATA2](#) on page 124
- [Configuring the ATA2](#) on page 127

For ATA2 specifications, see the table [ATA2, ASM8, ASM8+, GASM, and GASI analog device specifications](#) on page 51.

Configuration overview

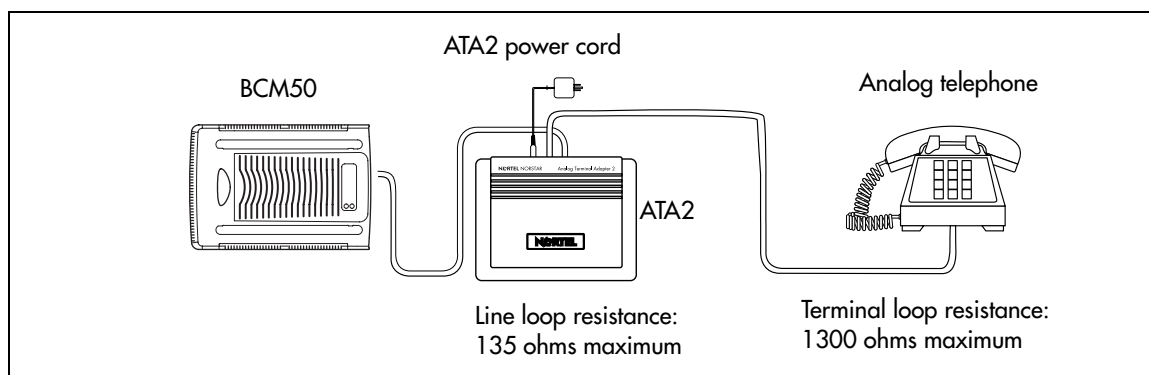
This section describes environment configurations for connecting analog and data devices to the main unit using an ATA2:

- [Analog telephone](#) on page 123
- [Analog data device](#) on page 124

Analog telephone

The figure [Analog telephone installation overview](#) on page 123 shows an installation overview for connecting an analog device through an ATA2 to the main unit.

Figure 53 Analog telephone installation overview

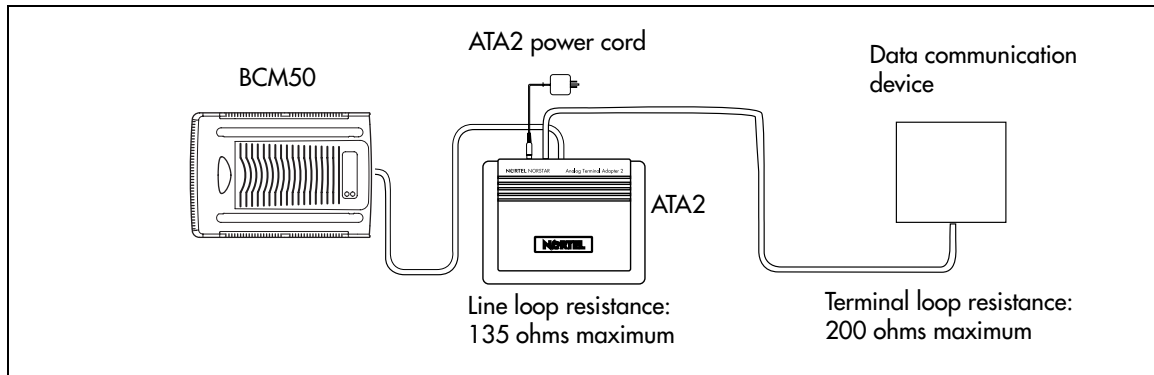


Analog data device

The ATA2 connects a standard analog data device, such as a fax or modem, to the BCM50 system.

The figure [Data communication device installation overview](#) on page 124 shows an installation overview for connecting a data communication device through an ATA2 to the BCM50 system.

Figure 54 Data communication device installation overview



Installing the ATA2

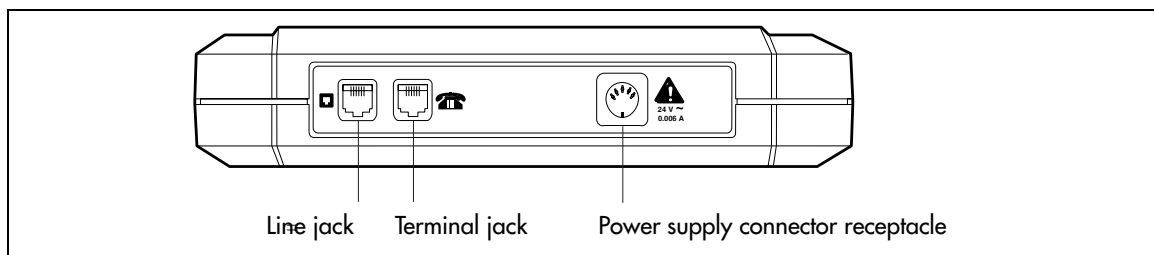
This section provides information about installing the ATA2:

- [Connecting the ATA2](#) on page 124
- [Mounting the ATA2](#) on page 125
- [Test insertion loss measurement](#) on page 126

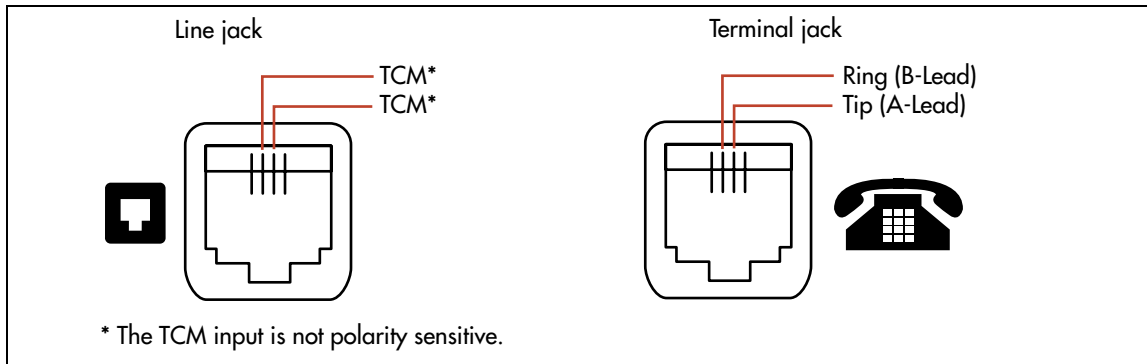
Connecting the ATA2

After you set up the correct environment, connect the BCM50 system and the analog device to the ATA2, and then connect the power. See the figure [ATA2 top view](#) on page 124.

Figure 55 ATA2 top view



The figure [ATA2 pin outs](#) on page 125 shows the pinouts for the connection cables.

Figure 56 ATA2 pin outs

To connect the ATA2

- 1 Connect one end of a line cord to the ATA2 terminal jack.
- 2 Connect the other end to your telephone, modem, or fax.
- 3 Connect one end of a line cord to the ATA2 line jack.
- 4 Connect the other end to an available station port on the BCM50 system.
- 5 For a 120 V or 230 V system, plug the DIN connector of the power supply cord into the power supply connector receptacle. Plug the adapter into a standard AC outlet.



Caution: In North America, the ATA2 must be powered from a Class 2 power source that is UL- and CSA-approved.

In Europe, the ATA2 must be powered from a Class II power source that is CE marked.

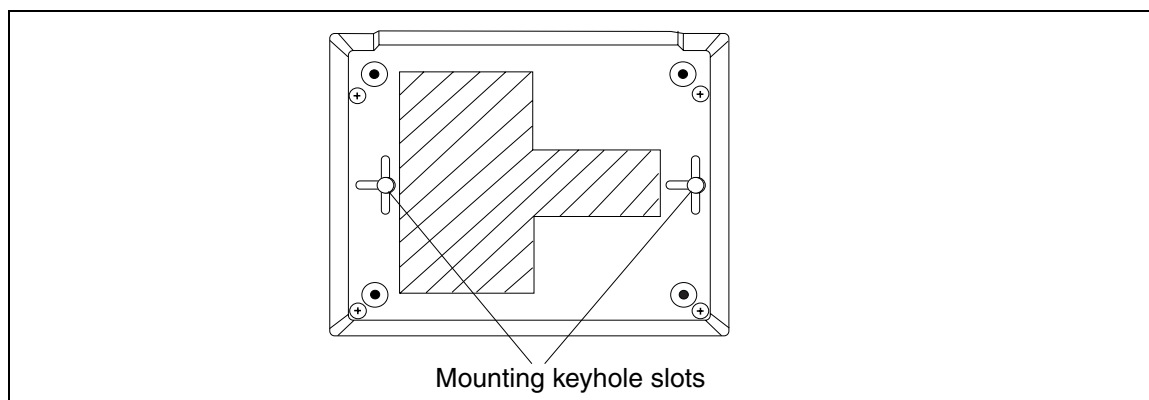
Mounting the ATA2

After the ATA2 is correctly connected, you can mount the unit on a wall as described in this section.

To mount the ATA2 on a wall

- 1 When using 0.5 mm wire (24-AWG), select a location within 800 m (2600 ft.) of the BCM50.
- 2 Allow 12.5 cm (5 in.) clearance for the line jack, terminal jack, and power supply connector.
- 3 Screw two 4-mm (#8) screws into the wall 130 mm (5.25 in.) apart. Leave 6 mm (0.25 in.) of the two screws showing.
- 4 Align the slots at the back of the ATA2 unit over the screws. Push the unit against the wall. The line jack, terminal jack, and power supply connector must be at the top of the ATA2. See the figure [ATA2 back view](#) on page 126.

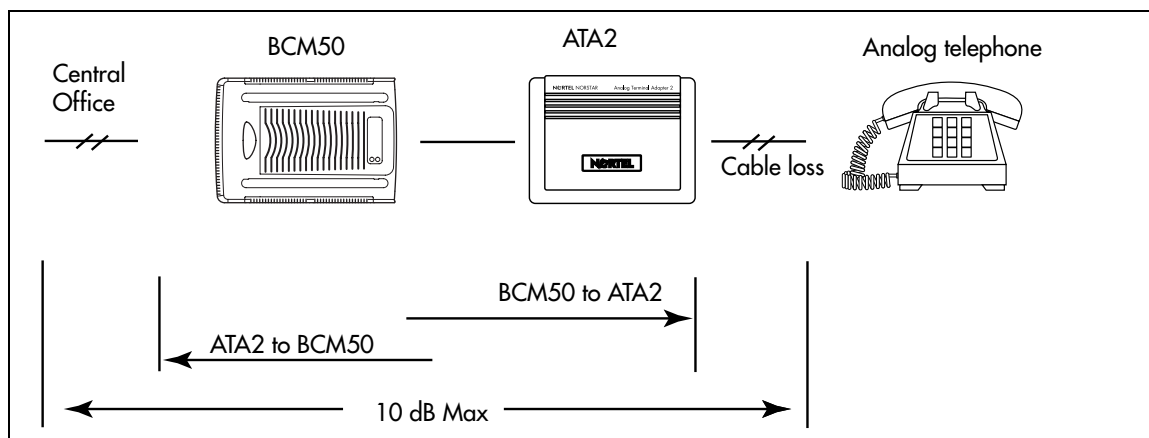
Figure 57 ATA2 back view



Test insertion loss measurement

The maximum loss for ATA2 to Central Office (CO) configuration must not exceed 10 dB. See the figure [Insertion loss from the CO to the analog telephone](#) on page 126.

Figure 58 Insertion loss from the CO to the analog telephone



| | |
|--------------------------------|---------------------------------------------------|
| Longitudinal balance to ground | 50 dB 60 to 4000 Hz With IEEE 455-1976 test |
| Overload level | 3 dB |

Measure the total insertion loss between the CO and analog device by using standard dial-up test lines with a transmission test set (for example, Hewlett-Packard 4935A Transmission Test Set).

To measure the insertion loss from the CO to the analog device

- 1 Establish a connection to the 1 mW, 1 kHz, CO service line with an analog telephone attached to the ATA2.
- 2 Ensure that the analog port terminates correctly in 600 ohms:
 - Replace the analog telephone with the test set.
 - Use RECEIVE/600 OHM/HOLD mode on the test set.
- 3 Ensure that the test set connects in parallel to the service line before removing the analog telephone or the line drops.
- 4 Remove the single-line telephone.
- 5 Measure the 1 kHz tone at the far end of the analog port, where the analog loop ends and where the analog device connects.



Note: The tone must be greater than -10 dB (for example: -9 dB is acceptable).

To measure the insertion loss from the analog device to the CO

- 1 Establish a connection to a silent termination on the CO service line with an analog telephone attached to the ATA2.
- 2 Make sure the analog port terminates correctly in 600 ohms by:
 - Replace the analog telephone with the test set.
 - Use TRANSMIT/600 OHM/HOLD mode on the test set.
- 3 Make sure the test set connects in parallel to the service line before removing the analog telephone or the line drops.
- 4 Remove the analog telephone.
- 5 Introduce a 1 kHz tone into the analog line at -10 dBm, and measure the level at the CO exchange.



Note: The difference in levels is the transmit loss and must be less than 10 dB (for example, 9 dB is acceptable).

Configuring the ATA2

Configure the ATA2 using Element Manager or Telset Administration. For detailed configuration information, see the *Nortel Business Communications Manager 5.0 Configuration—Devices*.

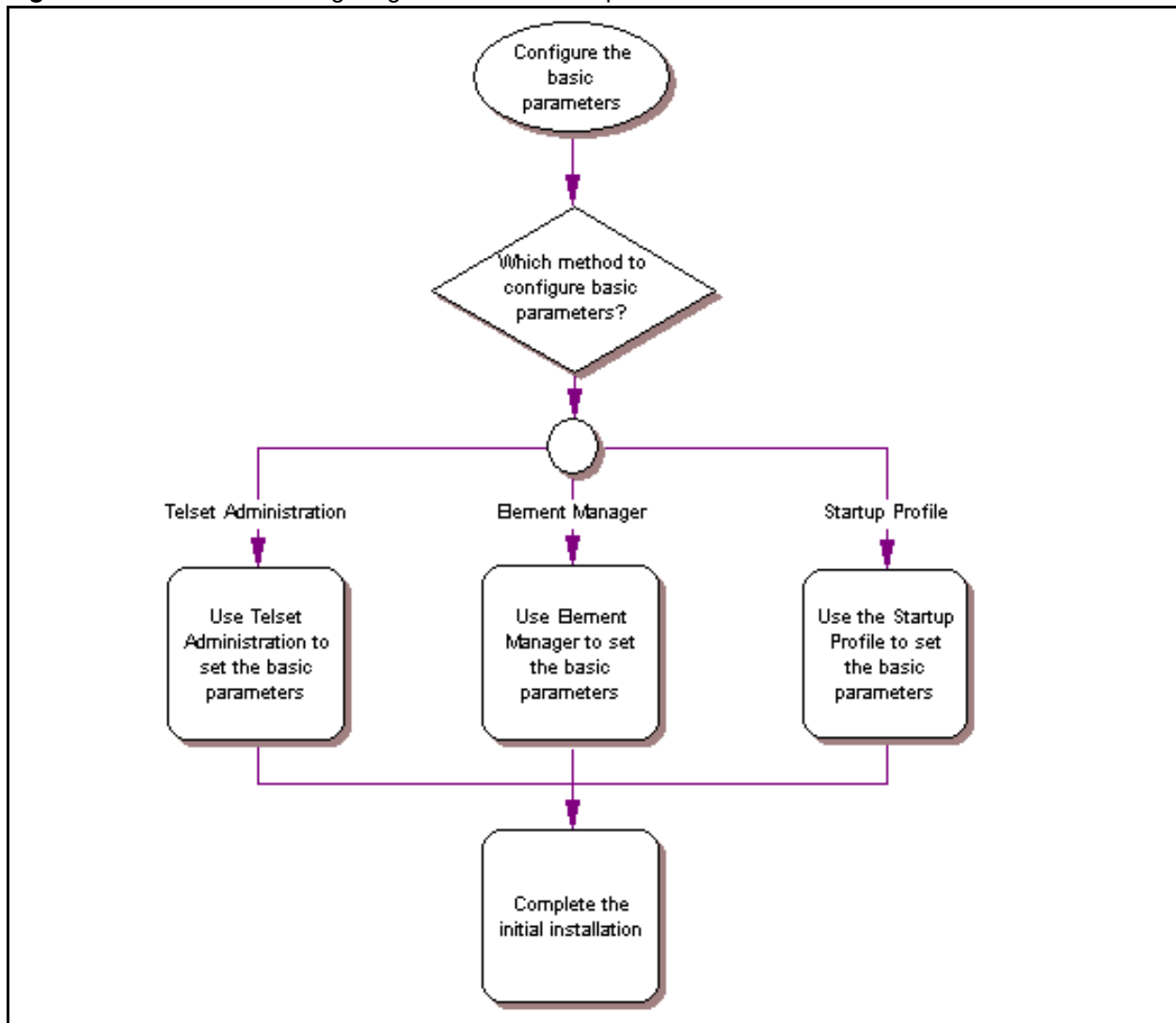
Chapter 12

Configuring the BCM50 system

This section provides information about configuring the basic BCM50 parameters. You can configure advanced parameters using Element Manager or Telset Administration after the BCM50 system is operational.

The figure [Overview of configuring the basic BCM50 parameters](#) on page 129 shows an overview of configuring the basic BCM50 parameters.

Figure 59 Overview of configuring the basic BCM50 parameters



For simplicity, you can configure the basic BCM50 parameters in two stages:

- [Initial parameters overview](#) on page 130
- [Startup parameters overview](#) on page 131

Initial parameters overview

The initial parameters are the required parameters that you can configure using Telset Administration, Element Manager, or the Startup Profile. See the table [Initial parameters](#) on page 130 for a list of the initial parameters.

Table 20 Initial parameters

| Parameters | Telset Administration | Element Manager | Startup Profile |
|------------------------------------------------------------------------------------------------------------------------------------------------------------------------------------|-----------------------------|---------------------------------------------------------------------------------------|--------------------|
| Keycode | Feature 9*8 > Feature codes | Configuration > System > Keycodes | Keycode |
| IP address: <ul style="list-style-type: none"> Obtain dynamically IP address IP subnet mask Default gateway | Feature 9*8 > IP Address | Configuration > System > IP Subsystem | IP Address |
| Modem: <ul style="list-style-type: none"> Enable/disable modem | Feature 9*8 > Modem | Configuration > Resources > Dial Up interfaces | Modem |
| System: <ul style="list-style-type: none"> Region | Feature **PROFILE | Administration > Utilities > Reset > Cold Reset Telephony Services | System |
| Telephony startup: <ul style="list-style-type: none"> Template Start DN | Feature **STARTUP | Administration > Utilities > Reset > Cold Reset Telephony Services | Telephony Startup |
| Voice mail: <ul style="list-style-type: none"> Attendant DN UI style Language From Line To Line Number of rings | Feature 983 | Configuration > Applications > Voice Messaging/Contact Center | Voice Mail Startup |
| User account: <ul style="list-style-type: none"> Telset user ID (numeric) Telset password (numeric) | Feature 9*8 > User Accounts | Configuration > Administrator Access > Accounts and Privileges > View by Accounts tab | User Account |

Startup parameters overview

The startup parameters are the remaining required parameters that you cannot configure using Telset Administration. You must configure these parameters using Element Manager or the Startup Profile. See the table [Startup parameters](#) on page 131 for a list of the startup parameters.

Table 21 Startup parameters (Sheet 1 of 2)

| Parameters | Telset Administration | Element Manager | Startup Profile |
|----------------------------------------------------------------------------------------------------------------------------------------------------------------------------------------------------------------------------------------|-----------------------|-------------------------------------------------------------------------------------------|-----------------|
| System: <ul style="list-style-type: none"> System name | N/A | Configuration > System > Identification | System |
| System: <ul style="list-style-type: none"> System ID | N/A | Configuration > System > Keycodes (View ID is set automatically and cannot be changed) | System |
| Time: <ul style="list-style-type: none"> Date and Time source NTP server address Date and time Time zone | N/A | Configuration > System > Date and Time | Time |
| DHCP server: <ul style="list-style-type: none"> Use DHCP Server on Integrated Router Enable/disable server IP domain name Primary DNS Secondary DNS Default gateway | N/A | Configuration > Data Services > DHCP Server > General Settings tab | DHCP Server |
| IP Phones: <ul style="list-style-type: none"> Enable registration Enable global pwd Global pwd Auto-assign DNS Advertisement/Logo | N/A | Configuration > Resources > Telephony Resources > IP & Application Sets | IP Telephones |
| SNMP Agent: <ul style="list-style-type: none"> Enable/disable SNMP agent Minimum security SNMP version support | N/A | Configuration > Administrator Access > SNMP > General tab | SNMP Agent |
| SNMP community: <ul style="list-style-type: none"> Community string Type of access | N/A | Configuration > Administrator Access > SNMP > Community Strings tab | SNMP Community |
| SNMP manager: <ul style="list-style-type: none"> Manager IP address | N/A | Configuration > Administrator Access > SNMP > General tab | SNMP Manager |

Table 21 Startup parameters (Sheet 2 of 2)

| Parameters | Telset Administration | Element Manager | Startup Profile |
|------------------------------------------------------------------------------------------------------------------------------------------------------------------------------------------------------------------------------------------------------------------------------------------------------------------------------------------------------------------------------------------------------------------------------------------------------|-----------------------|----------------------------------------------------------------------------------------|-----------------|
| User account: <ul style="list-style-type: none"> • User ID • Group • Description • Callback number | N/A | Configuration > Administrator Access > View by Accounts tab | User Account |
| SRG Main Office: <ul style="list-style-type: none"> • VoIP Trunk Access Code • Test Local Mode Timeout • Primary Network Connect Server Address • Alternate Network Connect Server Address • Network Connect Server Port • Heartbeat Protocol Port • H.323 ID • Numbering Plan ID • Type of Number • Node ID • MO Access Code Length | N/A | Configuration > Resources > Survivable Remote Gateway > S1000 Main Office Settings tab | SRG Main Office |

Chapter 13

Using Telset Administration to set the basic parameters

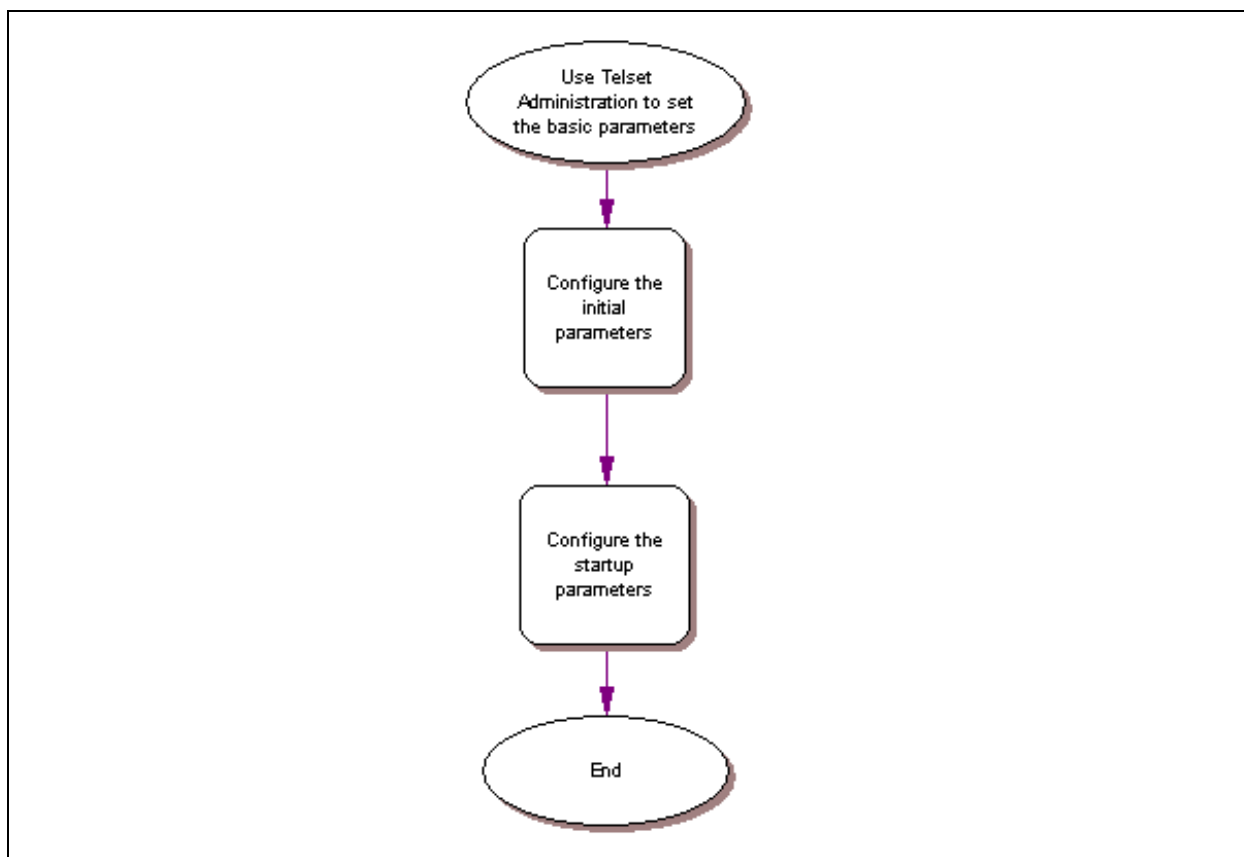
You can use Telset Administration through a digital telephone with a two-line display to set the BCM50 configuration parameters.

You cannot set all the basic parameters using Telset Administration. Therefore, after configuring the initial parameters, you must use Element Manager to set the startup parameters. See [Configuring the startup parameters](#) on page 143.

For more information about Telset Administration, see the *Telset Administration Guide*.

The figure [Overview of using Telset Administration](#) on page 133 shows an overview of using Telset Administration to set the basic parameters.

Figure 60 Overview of using Telset Administration



Configuring the initial parameters

Use the following procedures to configure the initial parameters for the BCM50 using Telset Administration:

- [To enter the keycodes](#) on page 134
- [To configure the IP address](#) on page 135
- [To configure the modem](#) on page 135
- [To select the region](#) on page 136
- [To select the telephony startup template and start DN](#) on page 136
- [To initialize voice mail](#) on page 136
- [To create Telset user accounts](#) on page 136

To enter the keycodes

1 Select Feature 9*8 from a two-line display telephone.

2 Enter the following user ID and password:

User ID: **SETNNA**

Password: **CONFIG**

The numerical values of the user ID and password are 738662 and 266344, respectively.

3 Press **NEXT** to scroll through the menu and select **Feature Codes**.

4 Press **OK**.

The system ID (SID) displays.

5 Press **NEXT**.

6 Enter your sequence ID.

7 Press **NEXT** to scroll through the list and perform one or both of the following tasks:

a To activate features, select **Feature List**.

- Press **SHOW** to view the available features.
- Use the soft keys to activate features for your system.

b To enter a new keycode, select **Entitlement Code**.

- Press **SHOW** to view the current keycode.
- Use the soft keys to modify the keycode for your system.

For more detailed information about retrieving and entering the keycode for your system, see the *Keycode Installation Guide*.

To configure the IP address

- 1 Select Feature 9*8 from a two-line display telephone.
- 2 Enter the following user ID and password:
User ID: **SETNNA**
Password: **CONFIG**

The numerical values of the user ID and password are 738662 and 266344, respectively.
- 3 Press **NEXT** to scroll through the menu and select **IP Address**.
- 4 Press **OK**.
- 5 Press **CHNGE** to modify the IP settings. The display screen shows whether DHCP is enabled or disabled.
- 6 Perform one of the following tasks:
 - a If DHCP is currently enabled:
 - Press **DIS** to disable DHCP. You can modify the IP Address, Subnet Mask, and Default Gateway. However, these settings have no effect if the system is disabled.
 - Press **IP** to modify the following IP settings:
 - IP Address
 - Subnet Mask
 - Default Gateway
 - b If DHCP is currently disabled:
 - Press **ENL** to enable DHCP. The system must reboot to enable DHCP.
 - Press **IP** to modify the IP settings. You can modify the IP Address, Subnet Mask, and Default Gateway. However, these settings have no effect if the system is disabled.
- 7 Press **Back** to reboot the system.

To configure the modem

- 1 Select Feature 9*8 from a two-line display telephone.
- 2 Enter the following user ID and password:
User ID: **SETNNA**
Password: **CONFIG**

The numerical values of the user ID and password are 738662 and 266344, respectively.
- 3 Press **NEXT** to scroll through the menu and select **Modem**.
- 4 Press **OK**. The display screen shows whether the modem is enabled or disabled.
- 5 Perform one of the following tasks:
 - a If the modem is disabled, press **ENL** to enable the modem.
 - b If the modem is enabled, press **DIS** to disable the modem.

For more information about modem configuration, see the *Networking Configuration Guide*.

To select the region

Set the Region using Feature ****PROFILE** from a two-line display telephone.

For information about using Telset Administration to set this parameter, see the *Telset Administration Guide*.

To select the telephony startup template and start DN

Set the Template and Start DN using Feature ****STARTUP** from a two-line display telephone.



Note: This is available for only 15 minutes after the system starts.

For information about using Telset Administration to set this parameter, see the *Telset Administration Guide*.

Configure other telephony startup parameters using Feature ****CONFIG**. For more information, see the *Telset Administration Guide*.

To initialize voice mail

Initialize your voice-mail system using Feature 983 from a two-line display telephone.

For information about using Telset Administration to initialize your voice mail system, see the *CallPilot Telephone Administration Guide*.

To create Telset user accounts



Note: You can create Telset accounts using only Telset Administration. To create Element Manager accounts, you must use Element Manager.

- 1 Select Feature 9*8 from a two-line display telephone.
- 2 Enter the following user ID and password:
User ID: **SETNNA**
Password: **CONFIG**

The numerical values of the user ID and password are 738662 and 266344, respectively.
- 3 Press **NEXT** to scroll through the menu and select **User Accounts**.
- 4 Press **OK**. The Accounts screen appears.
- 5 Press **CHNGE** to create an account.
- 6 Press **NEXT** to scroll through the list of available accounts to create.
- 7 Press **CRT** to create the account.

If you see the **DEL** command instead of the **CRT** command, then the account already exists.

- 8 Press **BACK**. The Accounts screen appears.
- 9 Press **NEXT**. The password screen appears.
- 10 Press **CHNGE** to change the password.
- 11 Press **NEXT** to scroll through the list of available accounts.
- 12 Press **CHNGE** to change the password for the selected account.
- 13 Enter the new password for the account.
- 14 Enter the new password again to confirm it.

For more information about creating user accounts using Element Manager, see the procedure [To create user accounts](#) on page 148.

Next step

After you configure the initial parameters using Telset Administration, you must configure the startup parameters using Element Manager. For more information, see [Configuring the startup parameters](#) on page 143.

Chapter 14

Using Element Manager to set the basic parameters

The Element Manager application provides a computer-based client interface that can connect to devices over an IP network and display the programming interface for that device.

You can use the latest Element Manager version to manage all previous BCM systems that require Element Manager. You need only one instance of Element Manager on your computer.

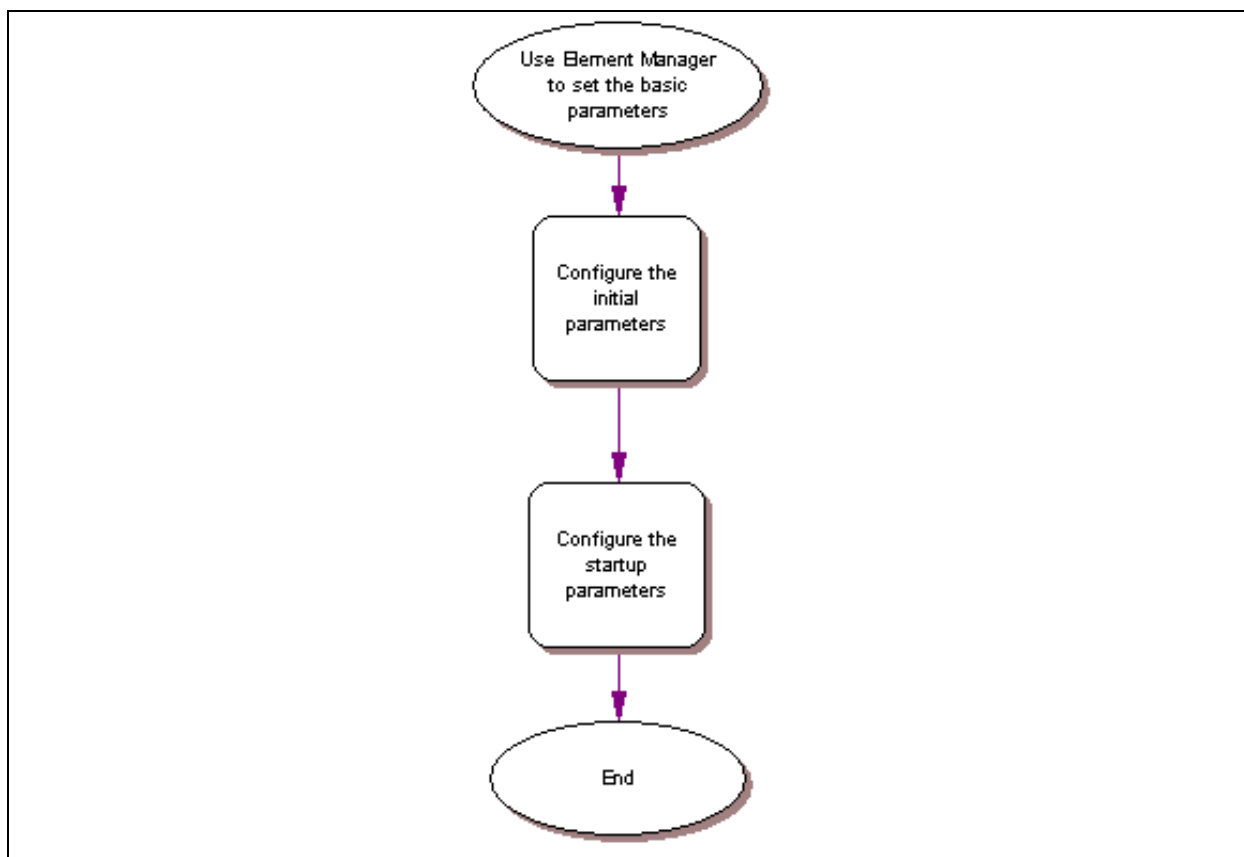
Through Element Manager, you can configure all of the basic parameters:

- [Configuring the initial parameters](#) on page 141
- [Configuring the startup parameters](#) on page 143

For more information about using Element Manager, see the *Nortel Business Communications Manager 5.0 Administration and Security*.

The figure [Overview of using Element Manager](#) on page 139 shows an overview of using Element Manager to set the basic parameters.

Figure 61 Overview of using Element Manager



Prerequisites

Business Element Manager has the following system requirements:

- Operating System: Windows XP, Windows Server 2003, Windows Server 2008, or Windows Vista. Business Element Manager also supports Citrix Presentation Server 4.0.
- RAM: minimum 256 MB, recommended 512 MB
- free space: 75 MB

Accessing the BCM50 system

After you connect your computer to the BCM50 system, either through the OAM port or through a LAN connection, you can download BCM Element Manager from the Administrator Applications area of the BCM Web page.

You can use the latest Element Manager version to manage all previous BCM systems that require Element Manager. You need only one instance of Element Manager on your computer.

To access the BCM50 Web page

- 1 Open a Web browser and enter the BCM50 system IP address (default is 10.10.10.1).
The Enter Network Password dialog box appears.
- 2 Enter the user name and password (defaults are shown below):
User name: **nnadmin**
Password: **PlsChgMe!**
- 3 Click **OK**.
The Welcome to BCM Web page appears.

To download and install Element Manager

- 1 From the Welcome to BCM Web page, click **BCM** under **Application Selection**.
- 2 From the Application Launcher panel, double-click **BCM Element Manager**.
The **BCM Element Manager** pane appears.
- 3 Click **Download Element Manager** on the right side of the screen.
- 4 When BCM50 Element Manager finishes downloading, double-click the application and follow the installation instructions.

To connect to the BCM50 system using Element Manager

- 1 Open Element Manager.
- 2 From the Network menu, select **New Network Element**, and then select **Business Communications Manager**.

- 3 Enter the BCM50 system IP address in the dialog box (default is 10.10.10.1).
- 4 Click **OK**.
- 5 From the Network Elements folder, select the BCM50 system IP address.
- 6 Enter the following user name and password:
User name: **nnadmin**
Password: **PlsChgMe!**
- 7 Click **Connect**.
You are now connected to the BCM50 system.

Configuring the initial parameters

Use the following procedures to configure the initial parameters for the BCM50 system using BCM50 Element Manager:

- [To enter a keycode](#) on page 141
- [To configure the LAN IP address](#) on page 141
- [To configure the modem](#) on page 142
- [To configure the startup template for telephony services](#) on page 142
- [To initialize voice mail](#) on page 143

To enter a keycode

- 1 From the **Configuration** tab, click the **System** folder to expand it.
- 2 Select **Keycodes**.
The Keycodes panel appears.
- 3 Click **Load File**.
The Open dialog box appears.
- 4 Select the keycode file for your system, and then click **Open**.

For details about generating and entering the keycodes for your system, see the *Keycode Installation Guide*.

To configure the LAN IP address

- 1 From the **Configuration** tab, click the **System** folder to expand it.
- 2 Select **IP Subsystem**.
- 3 Select the **General Settings** tab. It is normally selected by default.

- 4 Configure the IP Settings attributes. See the table [Modify IP Settings attributes](#) on page 142.

Table 22 Modify IP Settings attributes

| Attribute | Description |
|-------------------------------------------------------------------------------------------------|--------------------------------------------------|
| Published IP address | The IP address of the BCM50 system. |
| Published IP Interface | The IP interface being used by the BCM50 system. |
| Default gateway | The gateway used by the BCM50 system. |
| Note: If you modify any of the attributes, then the Element Manager session disconnects. | |

To configure the modem

- 1 From the **Configuration** tab, click the **Resources** folder to expand it.
- 2 Select **Dial Up Interfaces**.
- 3 Select the **Modem Dial-In Parameters** tab.
- 4 Select the **Enable modem dial-in** check box to enable the modem.

For more information about modem configuration, see the *Networking Configuration Guide*.

To configure the startup template for telephony services



Note: This procedure erases all the telephony programming that is currently on the BCM50 system.

- 1 From the **Administration** tab, click the **Utilities** folder to expand it.
- 2 Select **Reset**.
- 3 Click **Cold Reset Telephony Services**.
The Cold Reset Telephony dialog box appears.
- 4 Configure the Cold Reset Telephony attributes. See the table [Cold Reset Telephony attributes](#) on page 142.

Table 23 Cold Reset Telephony attributes

| Attribute | Description |
|-----------|---------------------------------------------|
| Region | Specify the startup region. |
| Template | Specify the startup template. |
| Start DN | Specify the startup DN. The default is 221. |

- 5 Click **OK**.

To initialize voice mail

- 1 From the **Configuration** tab, click **Applications** folder to expand it.
- 2 Select **Voice Messaging/Contact Center**.
- 3 Click **Launch CallPilot Manager**.

The Quick Install Wizard form appears.

If your voice mail system is already initialized, you do not see the Quick Install Wizard. Instead you see the CallPilot Manager: Main Menu Web page.

- 4 Configure the attributes on the Quick Install Wizard form.

For more information, see the *CallPilot Manager Set Up and Operation Guide*.

Configuring the startup parameters

Use the following procedures to configure the startup parameters for the BCM50 system using Element Manager:

- [To enter a name for your system](#) on page 143
- [To configure the date and time settings](#) on page 143
- [To configure DHCP server settings](#) on page 144
- [To configure IP Phones](#) on page 145
- [To configure SNMP settings](#) on page 146
- [To configure SNMP community strings](#) on page 147
- [To configure the SNMP manager list](#) on page 147
- [To create user accounts](#) on page 148

To enter a name for your system

- 1 From the **Configuration** tab, click the **System** folder to expand it.
- 2 From the System folder, select **Identification**.
- 3 Enter a name for your system in the **System name** field.

To configure the date and time settings

- 1 From the **Configuration** tab, click the **System** folder to expand it.
- 2 Select **Date and Time**.

The Date and Time panel appears.

- 3 Configure the Date and Time attributes. See the table [Date and Time attributes](#) on page 144.

Table 24 Date and Time attributes

| Attribute | Description |
|----------------------------------------------|----------------------------------------------------------------------------------------------------------------------------------------------------------------------------------------------------------------------------------------------|
| Date and Time source | Set to NTP if the system uses a network server to determine the correct time and date. Set to Trunk to receive time and date settings from PSTN (if available). Set to Manual to manually configure the time and date for your system. |
| NTP server address | If Date and Time source is set to NTP, then enter an address for the server. |
| Synch every (s) | The number of seconds specified to elapse between contacts with the NTP server. 1-XXXX: Number of seconds between contacts with the NTP server. |
| NTP security mode | Select whether the NTP security mode is secured or unsecured. |
| Raise alarm if clock differs by at least (s) | The number of discrepancy seconds specified that must occur before the system notifies you of a time difference from the NTP server, if the system automatically checks with the NTP server. |
| NTP key ID | ID for accessing the NTP. |
| NTP key string | Control key corresponding to ID for accessing the NTP. |
| Date and time | Use the calendar to select the correct date and time. |
| Time zone | Select the time zone for this system. |

To configure DHCP server settings



Warning: If you have a main unit with an integrated router, you must first disable the DHCP server on the integrated router to use the DHCP server on the main unit.

- 1 From the **Configuration** tab, click the **Data Services** folder to expand it.
- 2 Select **DHCP Server**.
- 3 Select the **General Settings** tab.
- 4 If you have a main unit with an integrated router (BCM50a, BCM50e, BCM50ba, BCM50be), do one of the following:
 - Select the **Use DHCP Server on Integrated Router** check box to use the DHCP server on the integrated router. The DHCP server on the main unit will be disabled.
Click **Launch Router WebGUI tool** to launch the router configuration tool.
For information about using the router WebGUI tool, see the *Integrated Router Configuration Guide* for your product.
 - Clear the **Use DHCP Server on Integrated Router** check box to use the DHCP server on the main unit. You must first disable the DHCP server on the integrated router using the router WebGUI tool.

For information about using the router WebGUI tool, see the *Integrated Router Configuration Guide* for your product.

- 5 Configure the attributes according to the table [DHCP Server: General Settings attributes](#) on page 145.

Table 25 DHCP Server: General Settings attributes

| Attribute | Description |
|--------------------------------------|-----------------------------------------------------------------------------------------------------------------------------------------------------------------------------------------------------------------------------------------------------------------------------------------------------------------------------------------------------------------------------------------------------------------------------------------------------------------------------------------|
| Use DHCP Server on Integrated Router | <p>Note: This attribute is available only on main units with an integrated router (BCM50a, BCM50e, BCM50ba, BCM50be).</p> <p>Specify whether or not to use the DHCP server on the integrated router. If selected, the DHCP server on the integrated router is used, and the DHCP server on the main unit is disabled. If cleared, the DHCP server on the main unit is active. You must first disable the DHCP server on the integrated router to avoid networking conflicts.</p> |
| DHCP server is | Select either enable or disable from the list. |
| IP domain name | The domain name of the network. |
| Primary DNS IP address | Specify the IP addresses of the primary DNS server in a valid dot format. BCM50 automatically assigns the value for this parameter. If the IP address or subnet mask for the corresponding LAN interface changes, this value is overwritten. Use caution when changing this value. |
| Secondary DNS IP address | Specify the IP addresses of the secondary DNS server in a valid dot format. BCM50 automatically assigns the value for this parameter. If the IP address or subnet mask for the corresponding LAN interface changes, this value is overwritten. Use caution when changing this value. |
| WINS server address | Specify the IP address of the WINS server. BCM50 automatically assigns the value for this parameter. If the IP address or subnet mask for the corresponding LAN interface changes, this value is overwritten. Use caution when changing this value. |
| WINS node type | Specify a client WINS node type. The BCM50 system automatically sets this value to H-node on all DHCP clients. This setting configures the DHCP client PCs to use P-node name resolution before resorting to B-node name resolution. <p>Note: Use caution if you change this attribute.</p> |
| Lease time | Specify the time, in seconds, for an address assignment until the client lease expires. The default is 259 200 seconds (72 hours). |

To configure IP Phones

Author's Note: This procedure has not been verified as the functionality is not yet present in the interface. It will be updated when the functionality becomes available.

- 1 From the **Configuration** tab, click the **Resources** folder to expand it.
- 2 Select **Telephony Resources**.
- 3 From the Configured Devices column, select **IP Sets**.

The Details for Module area appears in the lower pane with the IP Terminal Global Settings tab as the default.

- 4 Configure the IP Terminal Global Settings attributes. See the table [IP Terminal Global Settings attributes](#) on page 146.

Table 26 IP Terminal Global Settings attributes

| Attribute | Description |
|-------------------------------------|---------------------------------------------------------------------------------------------------------------------------------------------------------------------------------------------------------------------------------------------------------------------------------------|
| Enable registration | Select this check box to allow new IP clients to register with the system. WARNING: Remember to clear this check box when you finish registering the new telephones. |
| Enable global registration password | To require the installer to enter a password when IP telephones are configured and registered to the system, select this box. If this box is not selected (disabled), a valid Telset user ID and password is required to register IP phones. |
| Global password | If you select the Enable Global Registration Password check box, enter the password the installer enters on the IP telephone to connect to the system. If this check box is empty, no password prompt occurs during registration. |
| Auto-assign DNs | If you select this check box, the system assigns an available DN as an IP terminal requests registration. It does not prompt the installer to enter a set DN. If this check box is empty, the installer receives a prompt to enter the assigned DN during the programming session. |
| Advertisement/Logo | Any information in this field appears on the display of all IP telephones. For example, your company name or slogan (24 characters in length). |



Tip: To automatically configure IP Phones with DNs assigned:

- 1) Select the **Enable registration** check box.
- 2) Select the **Enable global registration password** check box.
- 3) Leave the **Global password** field blank.
- 4) Select the **Auto-assign DNs** check box.

After the IP Phones are operational, clear the **Enable registration** check box.

You can configure other attributes on the IP Terminal Global Settings tab depending on the requirements for your system.

To configure SNMP settings

- 1 From the **Configuration** tab, click the **Administrator Access** folder to expand it.
- 2 From the Administrator Access folder, select **SNMP**.
- 3 Select the **General** tab. It is normally selected by default.
- 4 From the SNMP Settings area, click **Modify**.

The Modify SNMP Settings dialog box appears.

- 5 Configure the attributes for Modify SNMP Settings. See the table [Modify SNMP Settings attributes](#) on page 147.

Table 27 Modify SNMP Settings attributes

| Attribute | Description |
|---------------------------|---------------------------------------------------------------------------------------------------|
| Enable SNMP Agent | Choose whether to enable or disable the SNMP agent by selecting (or not selecting) the check box. |
| Minimum required security | Select the minimum required security for SNMP from the list. |
| SNMP Version Support | Select the SMNP version support from the list. |

- 6 Click **OK**.

To configure SNMP community strings

- 1 From the **Configuration** tab, click the **Administrator Access** folder to expand it.
- 2 From the Administrator Access folder, select **SNMP**.
- 3 Select the **Community Strings** tab.
- 4 Click **Add**.

The Add Community String dialog box appears.

- 5 Configure the Add Community String attributes. See the table [Add Community String attributes](#) on page 147.

Table 28 Add Community String attributes

| Attribute | Description |
|------------------|-------------------------------------------------------------------------------------------------------|
| Community string | Enter the name used as a key to uniquely identify an individual community entry on the SNMP agent. |
| Type of access | Specify the read and write access for this community. Available options are Read-Only and Read/Write. |

- 6 Click **OK**.
- 7 Repeat steps 4 to 6 to add more community strings.

To configure the SNMP manager list

Use the SNMP manager list to specify IP addresses that can connect to the SNMP agent.

- 1 From the **Configuration** tab, click the **Administrator Access** folder to expand it.
- 2 From the Administrator Access folder, select **SNMP**.
- 3 Select the **General** tab. It is normally selected by default.
- 4 In the SNMP Manager List area, click **Add**.

The Add Manager dialog box appears.

- 5 Enter the IP address in the **Manager IP Address** field.
- 6 Click **OK**.
- 7 Repeat steps 4 to 6 to add another manager IP address.

To create user accounts

- 1 From the **Configuration** tab, click the **Administrator Access** folder to expand it.
- 2 From the Administrator Access folder, select **Accounts and Privileges**.
- 3 Select the **View by Accounts** tab.
- 4 Click **Add** to add a user account.

The Add Account dialog box appears.

- 5 Configure the Add Account attributes. See the table [Add Account attributes](#) on page 148.

Table 29 Add Account attributes

| Attribute | Description |
|---------------------------------|------------------------------------------------------------------------------------------------------------------|
| Description | Enter a description for this account. |
| User ID | Enter a descriptive name for the user or the user function. |
| Password | Enter a password for this account. |
| Telset user ID (numeric) | If the user performs administration through the Telset interface, enter a number for the user ID. |
| Telset password (numeric) | Enter a password for the Telset User ID. |
| Modem Callback Number | If Callback is required, enter the number to which the system calls back to verify the dial-up user access. |
| Modem Callback Passcode | This is the code the system uses to confirm the callback is legitimate. |
| ISDN Callback Number | If ISDN Callback is required, enter the number to which the system calls back to verify the dial-up user access. |
| ISDN Callback Passcode | This is the code the system uses to confirm that the ISDN callback is legitimate. |
| Change Password On Login | Select this check box to force the user to change the password upon first login. |
| Change Password On Login Telset | Select this check box to force the user to change the Telset password upon first login. |

- 6 Click **OK**.
- 7 Repeat steps 4 to 6 to create more user accounts.

To configure SRG

- 1 From the **Configuration** tab, click the **Resources** folder to expand it.
- 2 Select **Survivable Remote Gateway** from the Resources folder.
- 3 Select the **S1000 Main Office Settings** tab.
- 4 Configure the S1000 Main Office Settings attributes. For more information about configuring an SRG system, see the *SRG50 Configuration Guide*.

Next step

After you set the basic parameters, proceed to [Completing the initial installation \(optional\)](#) on page 157.

Chapter 15

Using the Startup Profile to configure parameters

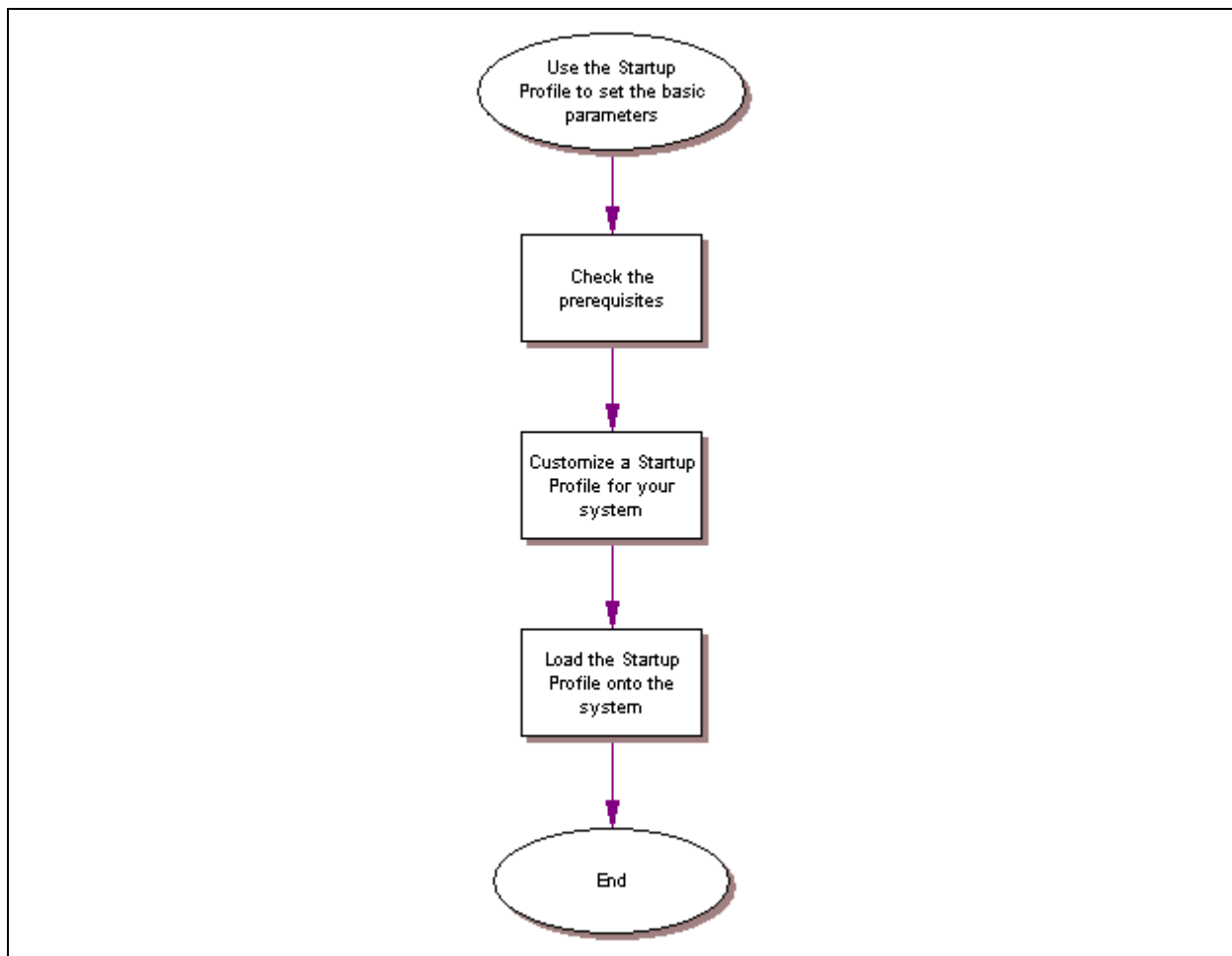
An experienced administrator uses the Startup Profile tool to customize a template with common BCM50 parameters. The administrator uses this template to configure a single system or multiple systems.

You create the Startup Profile using the Startup Profile template (a Microsoft Excel template). You then use a USB storage device to transfer the Startup Profile data to the BCM50 main unit.

Loading the Startup Profile adds approximately 5 minutes to the time for the BCM50 system to boot. After you successfully apply the Startup Profile, the BCM50 system automatically reboots to complete the BCM50 system configuration. After the BCM50 system reboots, the Startup Profile is fully loaded.

The figure [Overview of using the Startup Profile](#) on page 151 shows an overview of using the Startup Profile.

Figure 62 Overview of using the Startup Profile





Note: You must format the USB storage device for the FAT32 file system. If necessary, reformat the USB storage device by plugging it into the USB port of your computer, right-clicking the USB device icon, and selecting FAT32 reformatting. This destroys any data on the USB.



Note: The Startup Profile works only on a BCM50 system with no keycodes loaded. After the keycodes are loaded, the Startup Profile does not work. This condition prevents unintentional overwriting of the parameters of a configured system.

For information about setting the initial parameters on the BCM50 system:

- [Startup Profile requirements](#) on page 152
- [Configuring basic parameters](#) on page 153

Startup Profile requirements

To use the Startup Profile template, you need the following:

- a computer with a USB port
- Microsoft Excel 2000 or newer
- the Nortel BCM50 Startup Profile template (Microsoft Excel template)

If you do not have the Startup Profile template on your computer, you can get a copy from the the Nortel support Web site (www.nortel.com/support) or the Administrator Applications page on the main unit. For details about getting the Startup Profile template from the main unit, see the procedure [To download the Startup Profile template](#) on page 153.

- a portable USB storage device compatible with USB 1.1 (formatted for FAT32)



Note: The Startup Profile template uses macros to perform certain functions. You must set your Excel macro security level to medium or low to enable the macros:

- 1 From the Tools menu, select **Macros**.
 - 2 Select **Security**.
 - 3 Select **Medium** or **Low**.
 - 4 Exit from Excel.
 - 5 Open the Startup Profile template (in Excel).
 - 6 Enable macros if you are prompted.
-

To download the Startup Profile template

- 1 Access the BCM50 Web page (see the procedure [To access the BCM50 Web page](#) on page 140).
- 2 From the **Welcome to BCM** Web page, click **Administrator Applications**.
The Administrator Applications page appears.
- 3 From the **Administrator Applications** page, click **Startup Profile Template**.
The Startup Profile Template panel appears.
- 4 Read the information on this panel.
- 5 Click **Download Startup Profile Template** on the right side of the screen, and follow the instructions to download the template.

Configuring basic parameters

To customize a Startup Profile for your system



Note: You cannot copy and paste data between cells in the Startup Profile. If you attempt this, the data validation within the spreadsheet becomes corrupt. If corruption occurs, download another copy of the Startup Profile template from the BCM50 main unit.

- 1 On a computer with a USB port and Microsoft Excel, open the Startup Profile template (Microsoft Excel template).
If you do not have a copy of the Startup Profile template, see the procedure [To download the Startup Profile template](#) on page 153.
- 2 For instructions about using the Startup Profile template, see the **Usage Instructions** tab.
- 3 Click the **StartupProfileTemplate** tab to begin entering information in the Startup Profile template.
- 4 Enter your BCM50 system ID in the System ID field in the Startup Profile template.
The system ID is on the box of the main unit and on the main unit itself. If you enter the wrong system ID, the Startup Profile does not work with your system.
- 5 Click the large button at the top of the Startup Profile template to save a version of the Startup Profile (.sps file) and a version of the Startup Profile editor (Excel spreadsheet) on your computer.
The file names for the Startup Profile editor and the Startup Profile consist of the system ID followed by the appropriate extension.



Note: Never edit the Startup Profile (.sps file) directly; always use the Startup Profile editor to make changes.

- 6 Enter the remaining information into the Startup Profile editor that you want loaded onto the BCM50 main unit.

The Startup Profile editor contains explanations of the various parameters. Click the cell where you want to enter information, and the Help text appears.

You can specify which parameters to load onto your system by selecting **Apply**. If you do not want to load certain parameters, select **Ignore**.

- 7 After you enter all the information, click the large button at the top of the Startup Profile template to save a version of the Startup Profile (.sps file) and a version of the Startup Profile editor (Excel spreadsheet) on your computer.
- 8 Exit from Microsoft Excel.
- 9 Insert the USB storage device into the USB port of the computer.
- 10 Copy the Startup Profile (.sps file) to the root directory of the USB storage device.
- 11 To load your keycodes using the Startup Profile, copy the keycode file to the root directory of the USB storage device.

The name of the keycode file on the USB storage device must exactly match the file name you entered in the Startup Profile editor.

- 12 Remove the USB storage device from the USB port of the computer.

The Startup Profile is now stored on the USB storage device.

To load the Startup Profile data onto the BCM50 system

- 1 Disconnect the power supply from the main unit.
- 2 Insert the USB storage device into the USB port on the main unit.

If the BCM50 system has a UPS, insert the USB storage device into the Linux-compatible USB hub.

- 3 Connect the power supply to the BCM50 system.

The BCM50 automatically detects the Startup Profile file and loads the information during the bootup sequence. Loading the Startup Profile adds approximately 5 minutes to the time for the BCM50 system to boot. After you successfully apply the Startup Profile, the BCM50 system automatically reboots to complete the BCM50 system configuration. After the BCM50 system reboots, the Startup Profile is fully loaded.

If an error occurs, the status LED flashes red. View the log file (written to the USB storage device) for a description of the Startup Profile errors. If no errors exist, the BCM50 system automatically reboots to complete the system configuration. After the reboot finishes, the power and status LEDs are solid green.



Note: The Startup Profile works only on a BCM50 system with no keycode loaded. After a keycode is loaded, the Startup Profile does not work. This condition prevents unintentional overwriting of the parameters of a configured system.

- 4 Remove the USB storage device from the USB port on the BCM50 or the USB hub.



Note: Make sure the bootup sequence is complete before removing the USB storage device from the BCM50 system.

- 5 Connect the 25-pair cable to the RJ-21 telephony connector on the BCM50 main unit.
The Startup Profile is now loaded on your BCM50 system.

Next step

After you load the Startup Profile, you can connect the data networking cables. For information about connecting these cables, see [Completing the initial installation \(optional\)](#) on page 157.

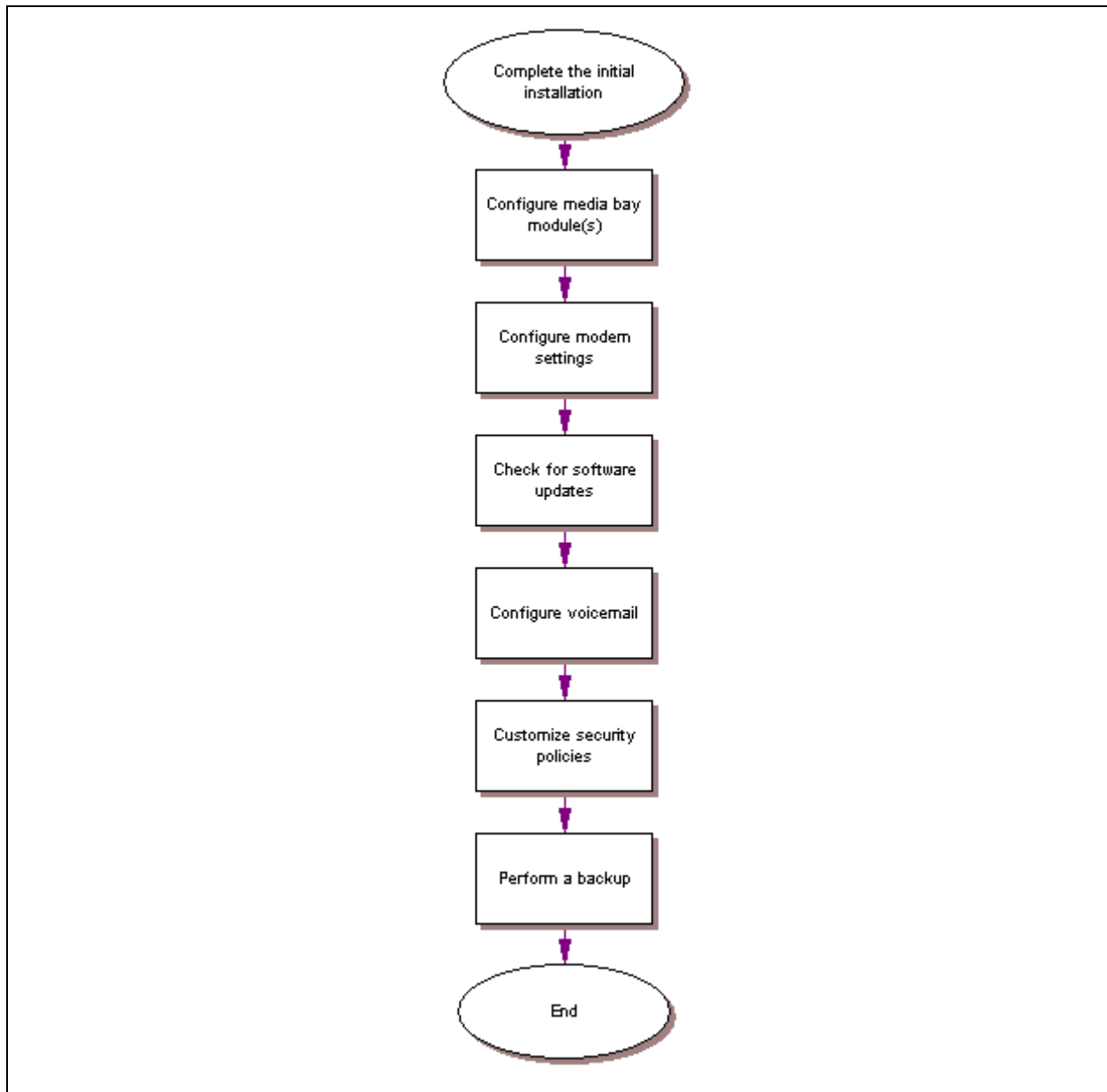
Chapter 16

Completing the initial installation (optional)

This section provides information about completing the initial installation of your BCM50 system. These options are described for informative purposes only.

The figure [Overview of completing the initial installation](#) on page 157 shows an overview of completing the initial installation.

Figure 63 Overview of completing the initial installation



After the basic configuration finishes, you can further customize your system by using the following configuration options:

- [Configuring the media bay module](#) on page 158
- [Configuring modem settings](#) on page 159
- [Checking for software updates](#) on page 159
- [Configuring voice mail](#) on page 159
- [Customizing security policies](#) on page 160
- [Performing a backup](#) on page 160

Configuring the media bay module

For information about installing a media bay module (MBM) and setting the dip switches, see [Installing a media bay module in an expansion unit](#) on page 102.

For details about connecting the cables between the main unit and expansion units, you can also see [Connecting the expansion unit](#) on page 106.

To configure the MBM(s)

- 1 Open Element Manager and connect to your BCM50 system.
- 2 From the **Configuration** tab, click the **Resources** folder to expand it.
- 3 From the Resources folder, select **Telephony Resources**. See the figure [Telephony Resources page](#) on page 158.

Figure 64 Telephony Resources page

The screenshot shows the 'Telephony Resources' configuration page. On the left is a 'Task Navigation Panel' with a tree view containing 'System', 'Administrator Access', 'Resources', 'Application Resources', 'Media Gateways', 'Port Ranges', 'Telephony Resources', 'Dial Up Interfaces', 'Telephony', 'Data Services', and 'Applications'. The 'Telephony Resources' folder is selected. The main area displays a table of modules:

| Location | Module type | Bus | State | Devices | Low | High | Total | Busy |
|-------------|-------------|-----|----------|---------|-----|------|-------|------|
| Internal | IP Sets | 1 | N/A | Sets | N/A | N/A | 11 | 0 |
| Internal | IP Trunks | N/A | N/A | Lines | 1 | 12 | 12 | 0 |
| Internal | BRI Loop | 3 | Enabled | Lines | 61 | 64 | 4 | 0 |
| Internal | Sets | 4 | Enabled | Sets | N/A | N/A | 2 | 0 |
| Expansion 1 | DTM-PRI | 5 | Disabled | Lines | 65 | 94 | 30 | 0 |
| Expansion 2 | 4x16 Combo | 7 | N/A | N/A | N/A | N/A | N/A | N/A |

Below the table, a dropdown menu is open for 'Expansion 1', showing options: 4x16 Combo, CTM4/GATM4, CTM8/GATM8, DTM-PRI (selected), DTM-DPNSS, DTM-DASS2, BRIM MBM, and 8x16 Combo. Below the dropdown are 'Disable' and 'Enable' buttons. The 'Details for Module: Expansion 1' section has tabs for 'Trunk Module Parameters', 'Trunk Port Details', and 'Provision Lines'. Under 'Trunk Module Parameters', there are fields for 'Trunk type' (set to PRI), 'Protocol' (set to Euro), and 'Clock source' (set to Secondary external). There is an 'Overlap receiving' checkbox (unchecked) and an 'E1 Parameters' section with a 'CRC4' checkbox (checked).

- 4 In the **Modules** section, select the expansion unit to configure.

You must include the expansion port feature in your purchased keycode. If you activate one expansion port only, the expansion port on the left (expansion/LAN port 2) is active. Therefore, Expansion 1 must be connected to the active port (expansion/LAN port 2). For location of the LAN ports, see the figure [Expansion ports](#) on page 106 and the figure [Connecting the expansion unit to the BCM50 main unit](#) on page 107.

- 5 Double-click the **Module type** field to display the list.
- 6 Select the type of MBM that you installed in the expansion unit.
- 7 Click **Enable**.
- 8 If you installed a second expansion unit, repeat steps 4 to 7 to enable the second MBM.

You can set other parameters for the MBMs depending on the type of MBM you installed.

Configuring modem settings

Your system modem is either enabled or disabled depending on the configuration you chose during your basic configuration. If you use the modem for management tasks, you can customize settings, including dial-in and dial-out settings depending on your specific needs.

For information about configuring the modem, see the *Nortel Business Communications Manager 5.0 Configuration—System*

Checking for software updates

Nortel frequently updates the BCM50 software. Therefore, a standard part of any installation is to ensure your system has the latest version of the software.

For information about checking for and installing software updates, see the *Nortel Business Communications Manager 5.0 Administration and Security*.

Configuring voice mail

Your voice mail system was initialized during the basic configuration of your BCM50 system. You must still configure your voice mail to take advantage of the many feature available.

If you need to perform further configuration tasks, see the documentation for your voice mail system.

For information about using the Web-based interface to configure your voice mail system, see the *CallPilot Manager Set Up and Operation Guide*, and for information about using Telset Administration to configure your voice mail system, see the *CallPilot Telephone Administration Guide*.

Customizing security policies

You configured a system password and security settings during the basic configuration of your BCM50 system. Depending on your needs, you can perform further configuration of the security policies.

For information about customizing the security policies, see the *Nortel Business Communications Manager 5.0 Administration and Security*.

Performing a backup

You can backup your BCM50 system at regular intervals, including after initial installation. Performing a backup ensures that you have a copy of your system data available to restore the system, if needed.

For information about backing up and restoring your system, see the *Nortel Business Communications Manager 5.0 Administration and Security*.

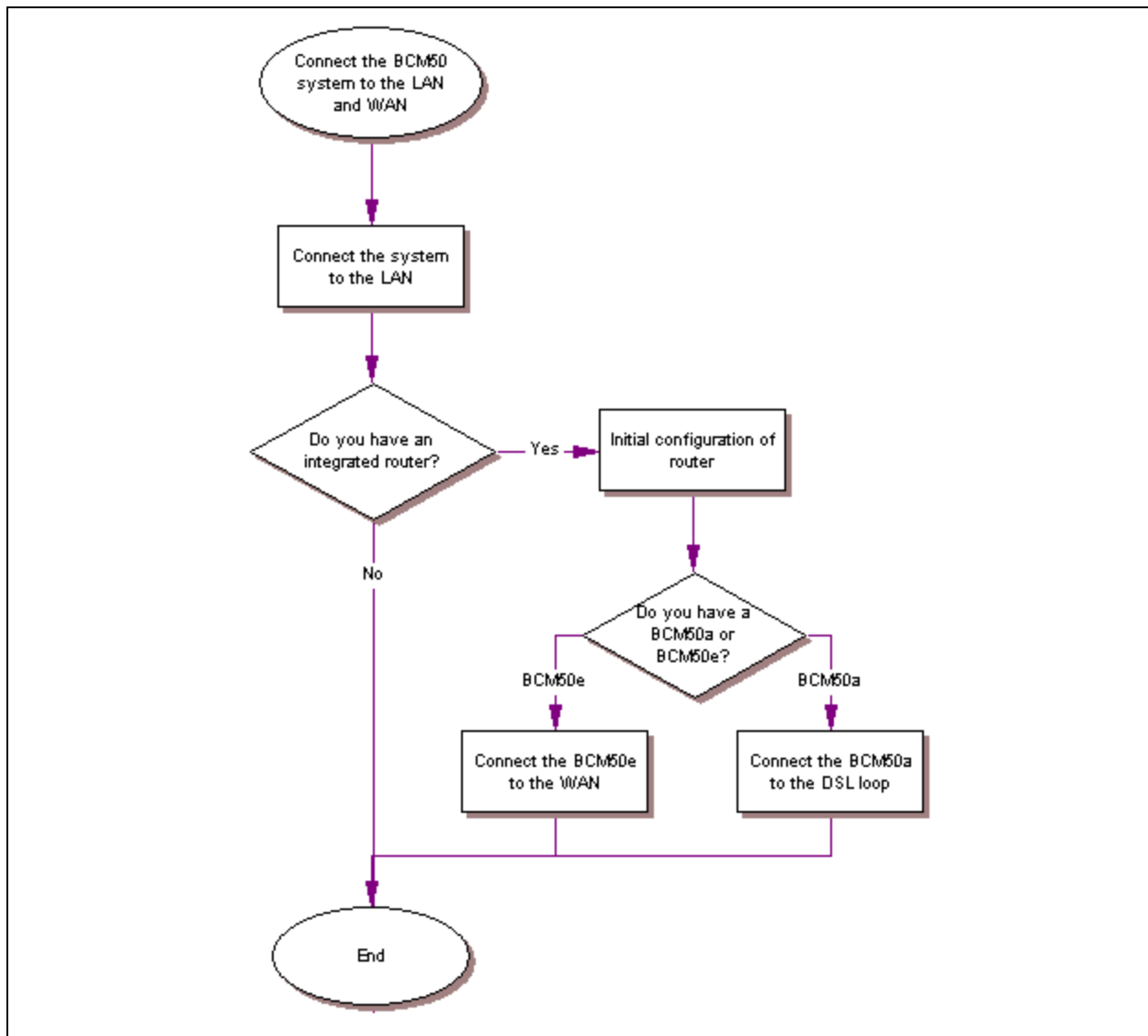
Chapter 17

Connecting the BCM50 system to the LAN and WAN

This section describes how to connect the LAN and WAN cables to the BCM50 system.

The figure [Overview of connecting data networking cables to the BCM50 system](#) on page 161 shows the steps required to connect the data networking cables to the BCM50 system.

Figure 65 Overview of connecting data networking cables to the BCM50 system



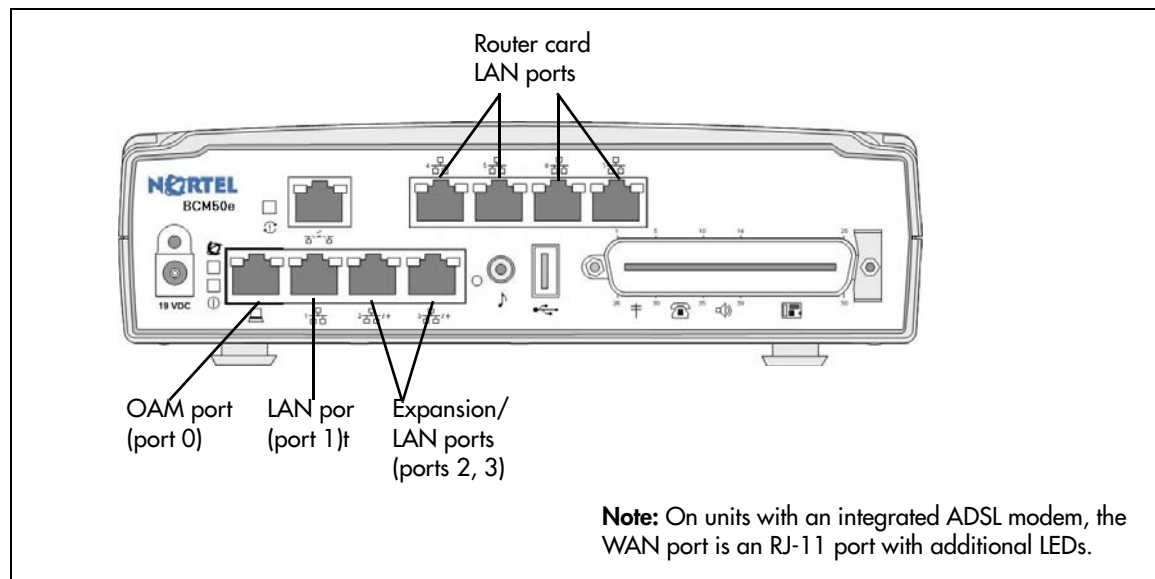
For information about connecting the cables to the BCM50 system:

- [Connecting the BCM50 system to the LAN](#) on page 162
- [Connecting the BCM50 system to the WAN](#) on page 163

Connecting the BCM50 system to the LAN

On BCM50 and BCM50b main units, three RJ-45 connectors support LAN connections and one OAM port. On the BCM50a, BCM50e, BCM50ba, and BCM50be main units, six RJ-45 connectors support LAN connections and one OAM port. The figure [Ports on a BCM50e main unit](#) on page 162 shows the location of the LAN ports.

Figure 66 Ports on a BCM50e main unit



The table [LAN ports on the main unit](#) on page 162 describes the function of each port.

Table 30 LAN ports on the main unit (Sheet 1 of 2)

| Port name | Function |
|---------------------|-----------------------------------------------------------------------------------------------------------------------------------------------------------------------------------------------------------------------------------------------------------------------------------------------------------------------------------------------------------------------------------------------------------------------------------------------------------------------------------------------------------------------------------------------------------------------------------------------------------------------------------------------------------------------------------------------------------------------------------------------------------------------------------------------------------------------------------------------------------------------------------------|
| OAM port | The OAM port connects an on-site management computer to the main unit. Using this connection, you can access management tools, such as Element Manager, without affecting the main LAN. This port is not connected to the network switch built into the main unit and cannot be connected to other network devices. |
| LAN port | The LAN port connects the main unit to the LAN. This port connects to the network switch built into the main unit. |
| Expansion/LAN ports | The expansion ports have two purposes: connecting the expansion units and providing LAN access to other network devices. If an expansion unit is connected to the port, the expansion port provides signaling channels, media channels, and LAN datagrams to the expansion unit. The expansion unit connects the signaling and media channels to the media bay module (MBM) and connects the LAN datagrams to the LAN port on the expansion unit. You can then use the LAN port on the expansion unit to connect network devices, such as IP telephones. If an expansion unit is not connected to the port, you can use the expansion port to connect network devices, such as IP telephones. The expansion ports connect to the network switch built into the main unit. Any devices connected to these ports are on the same subnet as the device connected to the LAN port. |

Table 30 LAN ports on the main unit (Sheet 2 of 2)

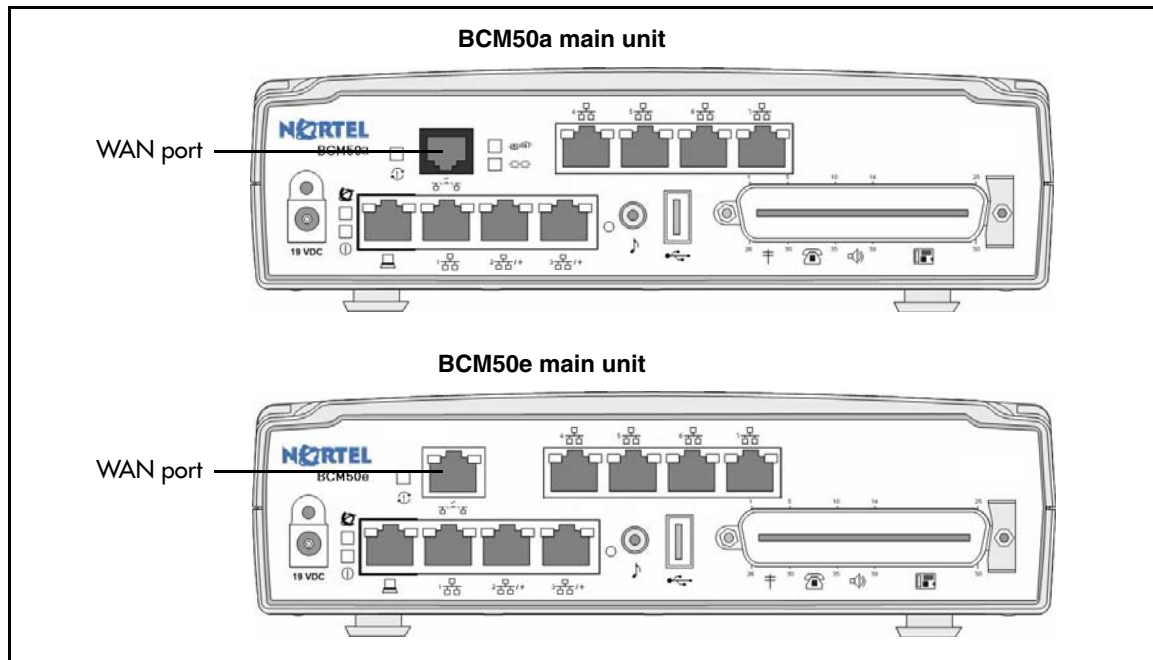
| Port name | Function |
|-------------------------|------------------------------------------------------------------------------------------------------------------------------------------------------------------------------------------------------------------------------------------------------------------------|
| Router card LAN ports | The router card LAN ports connect network devices, such as IP telephones to the LAN. These ports connect to the network switch built into the main unit. Any devices connected to these ports are on the same subnet as the device connected to the LAN port. |
| Expansion unit LAN port | The expansion unit LAN port connects network devices, such as IP telephones to the LAN. These ports are connected to the network switch built into the main unit. Any devices connected to these ports are on the same subnet as the device connected to the LAN port. |

To connect the BCM50 system to the LAN

- 1 Connect one end of a standard Ethernet cable to your LAN.
- 2 Plug the other end of the Ethernet cable into the LAN port on the main unit.
- 3 To use the internal BCM50 network switch to connect another IP device to the LAN, connect an Ethernet cable between the IP device and one of the additional LAN ports on the BCM50 system (Router card LAN ports, Expansion port, or expansion unit LAN port).
- 4 Repeat step 3 for each IP device you want to connect to the LAN using the BCM50 switch.
- 5 If you install a BCM50a or BCM50e, proceed to [Connecting the BCM50 system to the WAN](#) on page 163.
If you install a BCM50, proceed to [Next step](#) on page 165.

Connecting the BCM50 system to the WAN

Four types of main units contain a router card, the BCM50a, BCM50e, BCM50ba, and BCM50be. On the BCM50e and BCM50be, the WAN port is an RJ-45 port. On the BCM50a and BCM50ba, the WAN port is an RJ-11 port. The figure [WAN port on a BCM50 main unit](#) on page 164 shows the location of the WAN port on both types of router cards.

Figure 67 WAN port on a BCM50 main unit

For information about connecting the BCM50 to the WAN:

- [To connect the BCM50e or BCM50be main units to the WAN](#) on page 164
- [To connect the BCM50a or BCM50ba main units to the WAN](#) on page 164

To connect the BCM50e or BCM50be main units to the WAN

- 1 Use the Integrated Router Web GUI to configure the router card on the BCM50e and BCM50be main units. For information about how to configure the router, see the *BCM50e Integrated Router Configuration Guide*.
- 2 Connect one end of a standard Ethernet cable to your WAN edge device (for example, an external ADSL modem or cable modem).

For proper setup and configuration of the device, see the documentation for your WAN edge device.

- 3 Plug the other end of the Ethernet cable into the WAN port.
- 4 Proceed to [Next step](#) on page 165.

To connect the BCM50a or BCM50ba main units to the WAN

- 1 Use the Integrated Router Web GUI to configure the router card on the BCM50a and BCM50ba main units. For information about how to configure the router, see the *BCM50a Integrated Router Configuration Guide*.
- 2 Make sure the power supply is connected to the main unit and to the AC power source (wall outlet).



Warning: Do not plug the WAN cable into the system unless the power supply is connected to the main unit and an AC power source with a third-wire ground.

- 3 Connect one end of a standard telephone cable to the ADSL telephone line provided by your ISP.
- 4 Plug the other end of the telephone cable into the WAN port.



Note: If you use the ADSL telephone line for both ADSL and regular voice communication, you must install a splitter filter. Your ADSL service provider supplies the splitter filter. Follow your service provider's instructions about connecting the splitter.

Next step

After you connect the cables to the BCM50 system, you can test the system. For information about testing the BCM50 system, see [Testing basic BCM50 functionality](#) on page 167.

Chapter 18

Testing basic BCM50 functionality

This section describes how to test the BCM50 system.

For information about testing and troubleshooting the BCM50 system:

- [To test the main unit](#) on page 167
- [To troubleshoot the main unit](#) on page 168
- [To test the expansion unit](#) on page 168
- [To troubleshoot the expansion unit](#) on page 168
- [To test the MBM](#) on page 169
- [To test a station MBM](#) on page 169
- [To test a trunk MBM](#) on page 169
- [To determine why an MBM does not appear in Element Manager](#) on page 170
- [To determine why the ATA2 does not function](#) on page 170
- [To determine why there is no dial tone at the ATA2](#) on page 170
- [To check the ATA2 wiring](#) on page 171
- [Reset to factory settings](#) on page 171
- [To perform a Level 1 and Level 2 reset](#) on page 172

To test the main unit

If you have the digital station feature included in your installed keycode, use the following test to ensure the main unit is operating properly:

- 1** Go to an extension that is connected to the RJ-21 telephony connector on the main unit.
- 2** Check for a dial tone.
- 3** Use this extension to make a call to another extension on the system.
- 4** If this system has an expansion unit with a media bay module (MBM) that supports extensions, repeat steps 3 and 4 for an extension connected to the expansion unit.
- 5** Go to an extension that has access to one of the lines on the main unit.
- 6** Select the line or line pool to which the line belongs.
- 7** Check for a dial tone.
- 8** Make a call using the line or line pool.
- 9** If this system has an expansion unit with an MBM that supports lines, repeat steps 6 to 8 with an extension that can access one of the lines connected to the expansion unit.

To troubleshoot the main unit

If a test fails, use the following procedure:

- 1 Verify that any nonfunctional feature is included in your installed keycode.
- 2 Check the wiring to the main unit and to the MBMs. Make sure that the cables are properly seated and are connected to the correct ports.
- 3 Reboot the BCM50 system.
- 4 Check LEDs (see [Viewing the BCM50 system LEDs](#) on page 61).
- 5 Use Element Manager or the Telset Administration feature to check the programming for the lines or extensions that failed the call test.
- 6 If the programming is incorrect, use the Backup and Restore Utility to load a recent backup of system programming. If a recent backup is not available, correct the programming using Element Manager or the Telephone Administration feature.

To test the expansion unit

Use the following test to ensure the expansion unit is operating properly:

- 1 Make sure that the BCM50 system is fully booted. For indications that the system is fully operational, see [Viewing the BCM50 system LEDs](#) on page 61.
- 2 Check the power and status LEDs on the MBM that is inserted in the expansion unit. Both LEDs must be solid green. If either LED is not solid green, a problem exists with the MBM or the expansion unit. For a detailed description of the LED states, see [Viewing the BCM50 system LEDs](#) on page 61.
- 3 If the expansion unit has an MBM that supports extensions, go to an extension that is connected to the MBM.
- 4 Check for a dial tone.
- 5 Use this extension to make a call to another extension on the system.
- 6 If the expansion unit has an MBM that supports lines, go to an extension that has access to one of the lines on the MBM.
- 7 Select the line or line pool to which the line belongs.
- 8 Check for a dial tone.
- 9 Make a call using the line or line pool.

To troubleshoot the expansion unit

- 1 Check that the correct feature for the expansion unit is included in your installed keycode.
- 2 Check that the expansion port is connected to the proper connector. For location of the LAN ports, see the figure [Expansion ports](#) on page 106 and the figure [Connecting the expansion unit to the BCM50 main unit](#) on page 107.

- 3 Check the wiring to the MBM. Make sure that the cables are properly seated and are connected to the correct ports with proper LED indications.
- 4 Check that the switches on the MBM are all set to on. For more information about these switches, see [Verifying the media bay module switch settings](#) on page 98. If the MBM is a GASM or GATM, all the switches on the right are not on. For information about setting these switches, see [Verifying the media bay module switch settings](#) on page 98. To check the MBM switches, you must remove the MBM from the expansion unit. For instructions, see [Replacing a media bay module](#) on page 185.
- 5 Perform a firmware download to ensure that the correct version is loaded on the ASM/GASM or GATM unit.
- 6 Use Element Manager or Telset Admin to check the programming for the lines or extensions connected to the MBM.
- 7 Reboot the system to ensure that the BCM50 main unit functions correctly.
- 8 If the programming is incorrect, use the Backup and Restore Utility to load a recent backup of system programming. If a recent backup is not available, correct the programming using Element Manager or the Telephone Administration feature.

To test the MBM

- 1 Check the Power and Status LEDs on the MBM. Both LEDs must be solid green. If either LED is not solid green, a problem exists with the MBM. For a detailed description of the LED states, see [Media bay module LEDs \(expansion units only\)](#) on page 67.
- 2 Perform a call test to make sure the new MBM functions correctly. If you replaced a station MBM, use [To test a station MBM](#) on page 169. If you replaced a trunk MBM, use [To test a trunk MBM](#) on page 169. If you replaced a 4x16 MBM, use [To test a station MBM](#) on page 169 and [To test a trunk MBM](#) on page 169.

To test a station MBM

- 1 Go to an extension on the MBM.
- 2 Check for a dial tone.
- 3 Use this extension to make a call to another extension on the system.
- 4 Use this extension to make a call to an external telephone number.

To test a trunk MBM

- 1 Go to an extension that has access to one of the lines on the MBM.
- 2 Select the line or line pool to which the line belongs.
- 3 Check for a dial tone.
- 4 Make a call using the line or line pool.

To determine why an MBM does not appear in Element Manager

- 1 Check that the correct feature for the expansion unit is included in your installed keycode.
- 2 Check that both the Power and Status LEDs on the MBM are solid green.
 - If the Power LED is off, check that the power supply cable is properly seated in the expansion unit and the power supply is connected to a working power outlet. Also check that the MBM is properly seated in the expansion unit.
 - If the Status LED is not solid green, check that the Expansion cable is properly seated in the Expansion port on the expansion unit and on the main unit.
- 3 Check that the MBM and expansion unit are enabled using either Element Manager or Telset Administration. If the units are enabled, disable them, and then re-enable them.
- 4 Check that all the switches on the MBM are on. For more information about these switches, see [Verifying the media bay module switch settings](#) on page 98. If the MBM is a GASM or GATM, all the switches on the right are not set to on. For information about setting these switches, see [Verifying the media bay module switch settings](#) on page 98.

To check the MBM switches, you must remove the MBM from the expansion unit. For instructions, see [Replacing a media bay module](#) on page 185.

To determine why the ATA2 does not function

- 1 Check for a dial tone using an analog device.
- 2 Check that AC power is connected to the ATA2 unit.
- 3 Check that the correct feature for digital sets is included in your installed keycode.
- 4 Verify that the ATA2 is connected to a digital station port.
- 5 Allow sufficient startup time (30–60 sec).
- 6 Plug an analog device into the phone port of the ATA2 and check for a dial-tone.

To determine why there is no dial tone at the ATA2

- 1 If you hear no dial tone, replace a single-line telephone for the data communication device.
- 2 If you hear no dial tone at the ATA2 unit:
 - a Disconnect the line side of the ATA2. Connect a digital telephone to the ATA2 port.
 - b Check that the connection from the ATA2 to the BCM50 hardware works correctly.

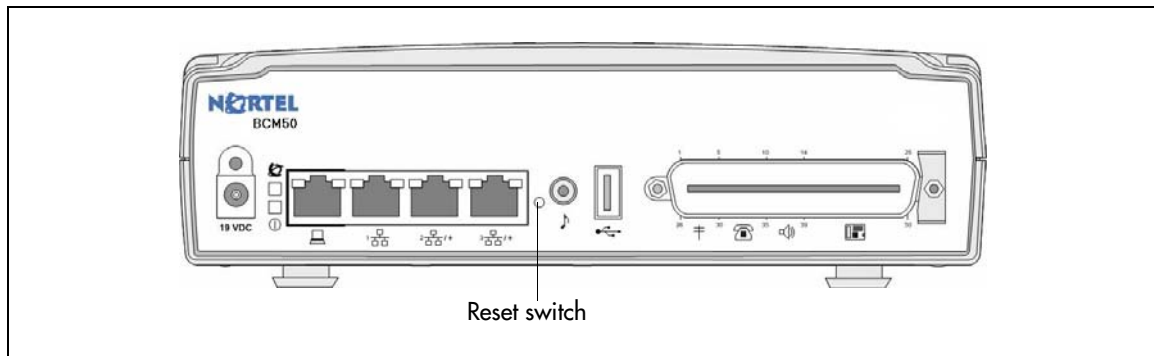
To check the ATA2 wiring

- 1 Use an analog phone to test the ATA2.
- 2 Check the following connections:
 - a ATA2 to the terminal
The resistance must be 200 ohms or less for data applications and 1300 ohms or less for voice applications.
 - b BCM50 hardware to the ATA2
The wiring must be equivalent to 800 m of 0.5 mm wire (2600 ft. of 24-AWG) or less. Do not use bridge taps and loading coils between the BCM50 hardware and ATA2.

Reset to factory settings

This section describes how to reset the BCM50 system to the factory settings or a stable working condition using the reset switch (see the figure [Reset switch location](#) on page 171). When the BCM50 is in this condition, you can make further modifications.

Figure 68 Reset switch location



Some possible situations in which you use the reset feature are:

- If the BCM50 system is configured incorrectly to an extent that it is no longer functional. The customer must use a level 1 reset to return to the default system programming and restore a previous configuration or reconfigure the system.
- If distributors want to reuse BCM50 systems, they must first erase all customer-specific data using a level 1 or level 2 reset.

Reset levels

Reset to factory settings is a stand-alone feature that has the following levels of reset:

- **Level 1** reset erases all customer-specific data and restores the default configuration for all components. This reset leaves the software components untouched. That is, the system has the latest release and patch level of the software installed. Only the system and user configuration data is erased and replaced with default values. No Ethernet connectivity to the system occurs during this operation.

- **Level 2** reset erases all customer and system configuration data and all software releases and patches. This reset re-installs the original factory configuration settings. Level 2 reset also resets the router firmware to what was shipped from the factory. No Ethernet connectivity to the system occurs during this operation.



Warning: If you perform a Level 2 reset to solve an undetermined problem and still have access to Element Manager, you must retrieve all the log files for technical support before performing the Level 2 reset. A Level 2 reset erases all log files from the system.

Activate the reset feature

You activate the reset feature by pressing the reset switch with a long, thin, nonmetallic needle in the sequence described in the procedure [To perform a Level 1 and Level 2 reset](#) on page 172.



Warning: Before performing a Level 1 or Level 2 reset, review all the effects of the levels of reset. See [Reset levels](#) on page 171.

As you press the reset switch, the LEDs blink in a predefined fashion to guide and confirm user input. The various states of the power and status LEDs indicate the following:

- A blinking power LED indicates a user input window; the BCM50 system is waiting for user input.
- A solid red power LED indicates extreme action is requested; caution is urged.
- A solid status LED (any color) indicates level of reset action:
 - Level 1 is yellow
 - Level 2 is red
- A blinking status LED indicates an interim state; trying to establish user request.
- A solid status LED indicates confirmation of a user selection (power LED has priority).

To perform a Level 1 and Level 2 reset

The router configuration of a BCM50a or BCM50e is not affected by a Level 1 reset. To perform a soft reset on the router, use Element Manager.

See the figure [Level 1 and Level 2 reset sequence](#) on page 173, or follow the sequence in the table [Level 1 reset](#) on page 174 and the table [Level 2 reset](#) on page 174 to perform a Level 1 and Level 2 reset.

Figure 69 Level 1 and Level 2 reset sequence

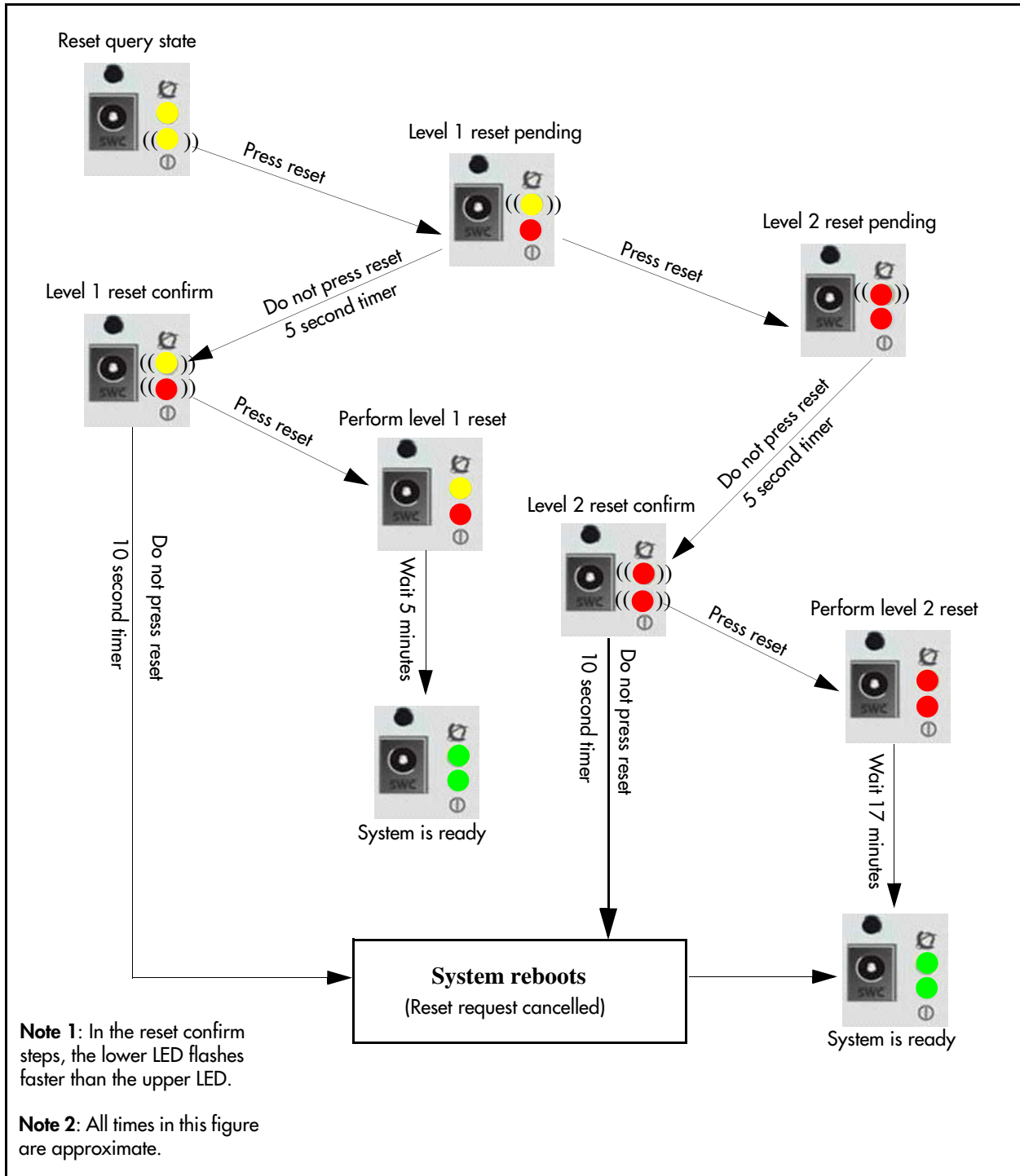


Table 31 Level 1 reset

| Step | User action | Power LED | Status LED | System state | Alternative user action |
|------|--------------------|-----------------|-----------------|------------------------------------------------------------------------|------------------------------------------------------|
| 1 | Boot the system | Solid yellow | Solid yellow | Power self-test | No action; system remains off |
| | | Solid yellow | Off | Power self-test | |
| | | Flashing yellow | Solid yellow | Ready for reset input | |
| 2 | Press reset switch | Solid red | Flashing yellow | Request Level 1 reset | Do not press reset switch; system boots normally |
| 3 | Wait five seconds | Flashing red | Flashing yellow | Awaiting Level 1 reset confirmation | Press reset switch; system proceeds to Level 2 reset |
| 4 | Press reset switch | Solid red | Solid yellow | System performs Level 1 reset All configuration programming erased. | Do not press reset switch; system boots normally |
| | | Solid green | Solid green | System rebooted and is ready for user action. | |

Table 32 Level 2 reset

| Step | User action | Power LED | Status LED | System state | Alternative user action |
|------|-------------------------------------------------------------------------|-----------------|-----------------|-------------------------------------------------------------------------------------------|-------------------------------------------------------------------------|
| 1 | Boot up the system | Solid yellow | Solid yellow | Power self-test | No action; system remains off |
| | | Solid yellow | Off | Power self-test | |
| | | Flashing yellow | Solid yellow | Ready for reset input | |
| 2 | Press reset switch | Solid red | Flashing yellow | Request Level 1 reset | Do not press reset switch; system boots normally |
| 3 | Press reset switch again within five seconds of the first button press. | Solid red | Flashing red | Request Level 2 reset | Do not press reset switch; system remains in Level 1 reset state |
| 4 | Wait five seconds | Flashing red | Flashing red | Awaiting Level 2 reset confirmation | Press reset switch; system proceeds to Nortel factory mode (do not use) |
| 5 | Press reset switch | Solid red | Solid red | System performs Level 2 reset; all configuration programming and software updates erased. | Do not press reset switch; system boots normally |
| | | Solid green | Solid green | System rebooted and is ready for user action. | |

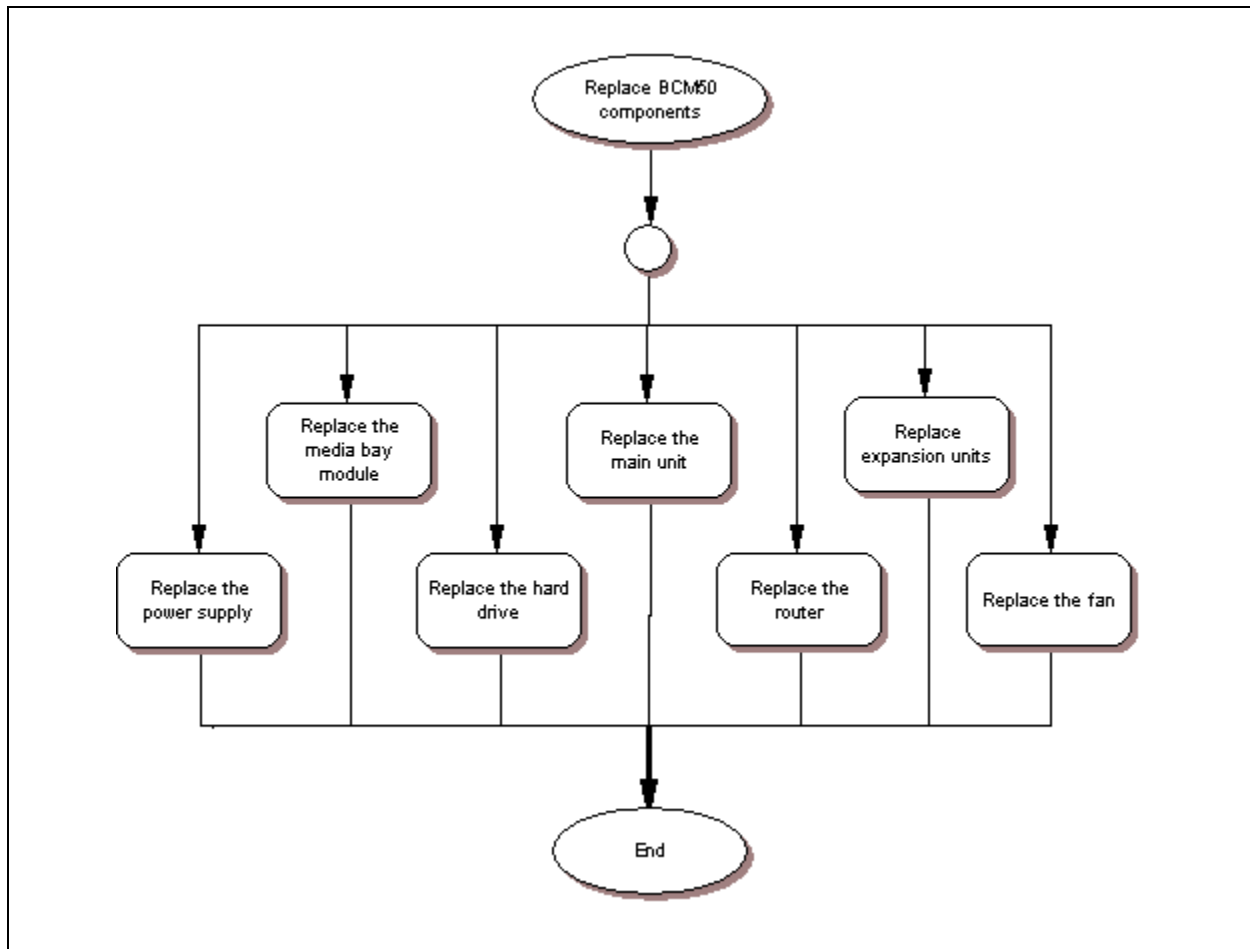
Chapter 19

Replacing the BCM50 system components

This section provides an overview of how to replace the BCM50 system components. The figure [Overview of replacing the BCM50 system components](#) on page 175 shows the steps required to replace the BCM50 system components.

This section also describes common procedures required to prepare the system for maintenance.

Figure 70 Overview of replacing the BCM50 system components



For information about replacing the BCM50 components:

- [Replacing a power supply](#) on page 177
- [Replacing a main unit](#) on page 181
- [Replacing a media bay module](#) on page 185
- [Replacing an expansion unit](#) on page 189
- [Replacing an internal component](#) on page 195

Preparing the system for maintenance

Use the following procedure to prepare the system for maintenance. This procedure is referenced throughout the maintenance portion of this document:

To shut down the system

- 1 Check for a recent backup of the BCM50 system programming.
- 2 If no recent backup is available, then use Element Manager to back up the system data. For information about backing up the system data, see the *Administration Guide*.
- 3 In Element Manager, from the **Administration** tab, click the **Utilities** folder to expand it.
- 4 From the Utilities folder, select **Reset**.
- 5 Click **Reboot** to reboot the system.

The BCM50 system begins the shutdown process.

- 6 Unplug the main unit when the status and power LEDs change from solid green to flashing orange.

Restarting the system after maintenance

When you finish your maintenance procedure, restart the BCM system in the order described in this section.

To return the system to operation

- 1 Check the Power and Status LEDs on the main unit. After the BCM50 starts, both LEDs must be solid green. If either LED is not solid green, a problem with the main unit exists. For a detailed description of the LED states, see [System status LEDs](#) on page 61.
- 2 If this system has an expansion unit, check the Power and Status LEDs on the media bay module (MBM) in the expansion unit. Both LEDs must be solid green. If either LED is not solid green, a problem exists with the MBM or the expansion unit. For a detailed description of the LED states, see [Media bay module LEDs \(expansion units only\)](#) on page 67.
- 3 If this system has a second expansion unit, check the Power and Status LEDs on the second MBM.
- 4 Use Element Manager to restore the programming. For information about restoring system programming, see the *Administration Guide*.
- 5 Set the basic configuration parameters. For more information, see [Configuring the BCM50 system](#) on page 129.



Warning: When you restart the system, all digital telephony, IP client voice mail, and VoIP ports are not available until the system services restart.

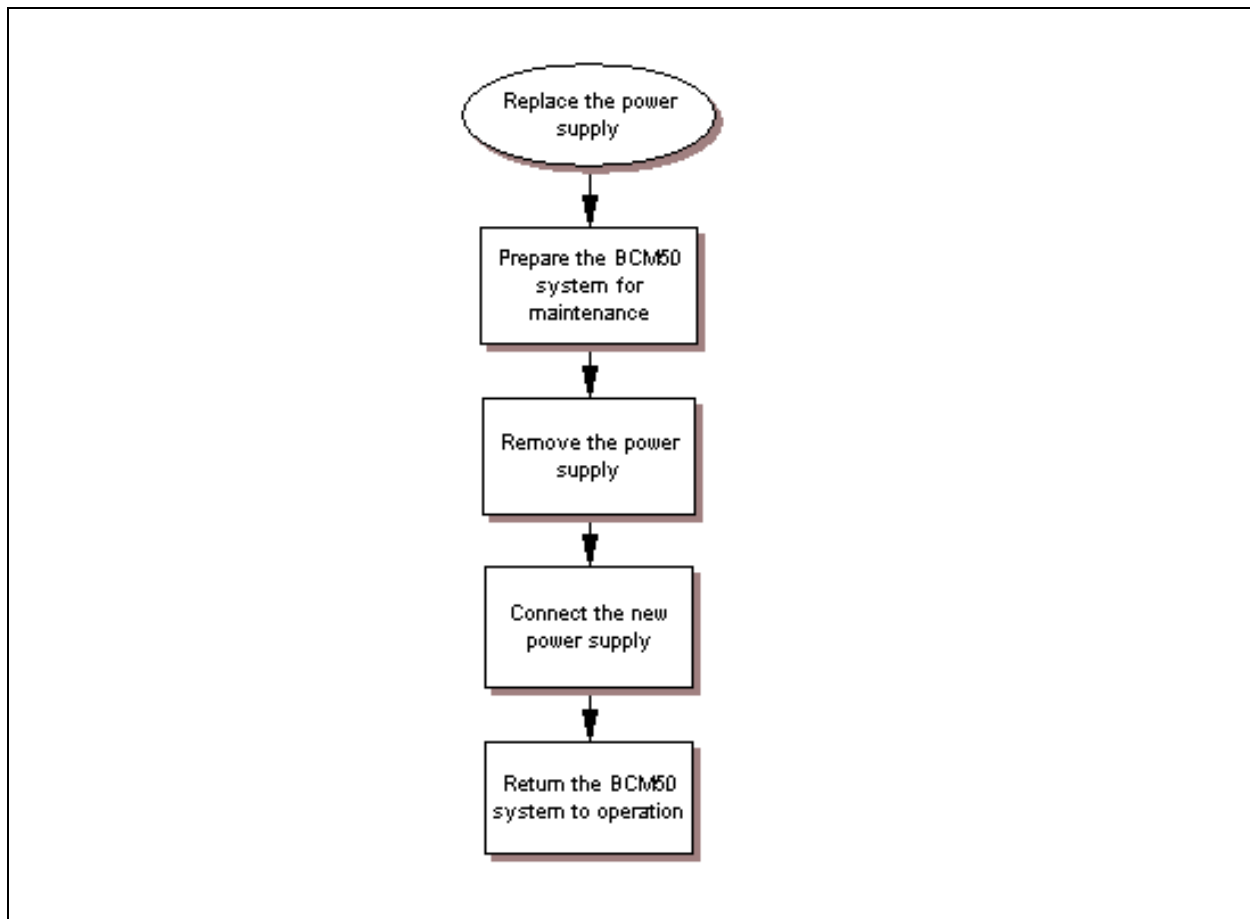
Chapter 20

Replacing a power supply

This chapter describes the procedure for replacing a power supply.

The figure [Overview of replacing the BCM50 power supply](#) on page 177 shows an overview of replacing a power supply.

Figure 71 Overview of replacing the BCM50 power supply



For information about replacing a power supply:

- [Preparing the system for maintenance](#) on page 178
- [Removing the power supply](#) on page 178
- [Connect the new power supply](#) on page 178

Preparing the system for maintenance

In most cases, if the power supply for the main unit is faulty, the system is already shut down. If this is the case, proceed to [Removing the power supply](#) on page 178. If you replace the expansion unit power supply, or if the system is still operating, perform the procedure [To shut down the system](#) on page 176.

Removing the power supply

Before you disconnect the power supply, read the warnings about connecting network lines in [Wiring warnings](#) on page 111.

To remove the power supply

- 1 Remove the telephony and data networking lines from the BCM50 units. These lines include:
 - the RJ-21 telephony connector on the main unit
 - the ADSL line in the WAN port on a BCM50a main unit
 - any analog telephone lines in the media bay modules (MBM) in the expansion units
 - any digital telephone lines in the MBMs in the expansion units
- 2 Rotate the power supply retention clip to free the power supply cord.
- 3 Remove the power supply cord from the BCM50 unit.



Warning: Leakage currents

You must disconnect the telephony and data networking cables from the system before disconnecting the power cord from a grounded outlet.

- 4 Remove the power supply cord from the AC wall outlet.
If your system has a UPS, remove the power supply cord from the UPS socket.
- 5 Remove the power supply from the table, rack-mount shelf, or wall-mount bracket.
- 6 Proceed to [Connect the new power supply](#) on page 178.

Connect the new power supply

Before you connect the power supply, read the warnings about connecting network lines in [Wiring warnings](#) on page 111.

To connect the new power supply

- 1 Connect the new power supply. See [Connecting the power supply](#) on page 108.
- 2 Connect the telephony and data networking lines that you removed in Step 1 of [Removing the power supply](#) on page 178.
- 3 Continue with the procedure [To return the system to operation](#) on page 176.

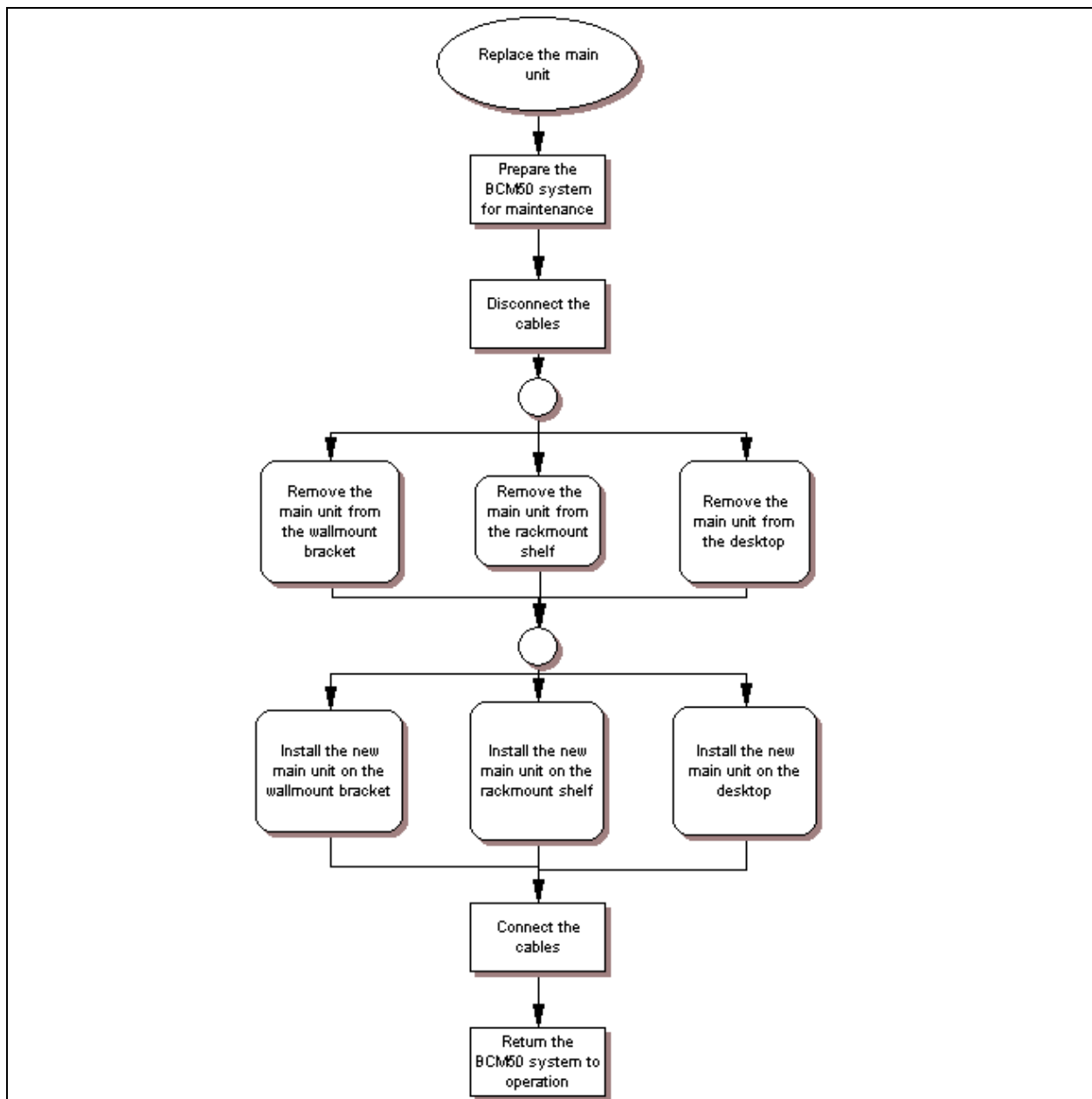
Chapter 21

Replacing a main unit

Three types of main units are available: the BCM50, the BCM50a, and the BCM50e. This chapter describes the procedure for replacing a main unit.

The figure [Overview of replacing a main unit](#) on page 181 shows an overview of replacing a main unit.

Figure 72 Overview of replacing a main unit



For information about replacing the BCM50 main unit:

- [Preparing the system for maintenance](#) on page 182
- [Removing the main unit](#) on page 182
- [Installing the new main unit](#) on page 183

Preparing the system for maintenance

In most cases, if the BCM50 main unit is faulty, the system is already shut down. If this is the case, continue with the procedure [To disconnect the cables](#) on page 182. If the system is still operating, perform the procedure [To shut down the system](#) on page 176.

To disconnect the cables

- 1 Remove the 25-pair cable from the RJ-21 telephony connector on the front of the main unit.
- 2 Remove the Ethernet cable from the LAN port.
- 3 If the main unit is a BCM50a or a BCM50e, remove the Ethernet cable or ADSL line from the WAN port and the Ethernet cables from the Router card LAN ports.
- 4 Remove the expansion cables or LAN cables from the expansion ports on the main unit. For the expansion cables, make sure you mark the cables with the number of the port to which they connect.
- 5 If the system uses the external Music Source port, remove the cable from the Music Source port.
- 6 If the system uses a UPS, remove the USB cable from the USB port.
- 7 Rotate the power supply retention clip to free the power supply cord.
- 8 Remove the power supply cord from the main unit.



Warning: Leakage currents

You must disconnect the telephony and data networking cables from the system before disconnecting the power cord from a grounded outlet.

- 9 Proceed to [Removing the main unit](#) on page 182.

Removing the main unit

The method you use to remove the main unit depends on how the unit is mounted. Use one of the following procedures to remove the main unit:

- [To remove a rack-mounted main unit](#) on page 183
- [To remove a wall-mounted main unit](#) on page 183
- [To remove a desktop mounted main unit](#) on page 183

To remove a rack-mounted main unit

- 1 Ensure you remove all the cables from the main unit.
If necessary, see the procedure [To disconnect the cables](#) on page 182.
- 2 If a unit is mounted to the top of the main unit, slide that unit forward until it disengages from the clips on the main unit. Lift the unit off of the top of the main unit.
- 3 If the main unit is secured to the rack-mount shelf with screws, remove these screws from the bottom of the rack-mount shelf.
- 4 Slide the main unit forward until it disengages from the clips on the rack-mount shelf.
- 5 Lift the main unit off of the rack-mount shelf and set it on a flat, clean, static-free surface.
- 6 Proceed to [Installing the new main unit](#) on page 183.

To remove a wall-mounted main unit

- 1 Ensure you remove all the cables from the main unit.
If necessary, see the procedure [To disconnect the cables](#) on page 182.
- 2 Lift the main unit until it disengages from the clips on the wall-mount bracket.
- 3 Pull the main unit out and away from the wall-mount bracket.
- 4 Set the main unit on a flat, clean, static-free surface.
- 5 Proceed to [Installing the BCM50 unit on the wall](#) on page 88.

To remove a desktop mounted main unit

- 1 Ensure you remove all the cables from the main unit.
If necessary, see the procedure [To disconnect the cables](#) on page 182.
- 2 If a unit is mounted to the top of the main unit, slide that unit forward until it disengages from the clips on the main unit. Lift the unit off of the top of the main unit.
- 3 Lift the main unit off of the table and set it on a flat, clean, static-free surface.
- 4 Continue with the procedure [To install the BCM50 unit on a desktop or shelf](#) on page 93.

Installing the new main unit

Use one of the following procedures to install the new BCM50 main unit:

- [Installing the BCM50 unit on the rack-mount shelf](#) on page 85
- [To install the BCM50 unit on the wall-mount bracket](#) on page 90
- [To install the BCM50 unit on a desktop or shelf](#) on page 93

After you install the new BCM50 main unit, proceed to the procedure [To connect the cables](#) on page 184.

To connect the cables

- 1 Insert the power supply retention clip into the new main unit.
- 2 Rotate the power supply retention clip so that the power supply jack is clear.
- 3 Connect the power supply cord to the main unit.
- 4 Rotate the power supply retention clip to lock the power supply cord in place.
- 5 Connect to AC power source:
 - a If the system has a UPS, connect the USB cable to the USB port on the main unit and plug the UPS power cord into the AC power source (wall outlet).
 - b If the system has no UPS, plug the power supply cable into the AC power source (wall outlet).
- 6 If the system uses the external Music Source port, connect the music source cable to the Music Source port on the main unit.
- 7 Connect the expansion cables or LAN cables to the expansion ports on the main unit. For expansion cables, make sure you connect the cables to the expansion ports from which you removed them to ensure the same line and extension numbering.
- 8 If the main unit is a BCM50a or BCM50e, connect the Ethernet cable or ADSL line to the WAN port and the Ethernet cables to the Router card LAN ports.



Warning: Leakage currents

You must connect the power cord to a grounded outlet before connecting the telephony and data networking cables to the system.

- 9 Connect the Ethernet cable to the LAN port.
- 10 Connect the 25-pair cable to the RJ-21 telephony connector on the front of the main unit.
- 11 Secure the RJ-21 connector to the BCM50 main unit.

If you use a straight RJ-21 connector, use the two screws on the sides of the connector to secure it.

If you use a right-angle RJ-21 connector, use the screw on the left side of the connector to secure the left side of the connector. To secure the right side of the connector, use a cable tie to fasten the 25-pair cable to the anchor on the BCM50 main unit.
- 12 Continue with the procedure [To return the system to operation](#) on page 176.

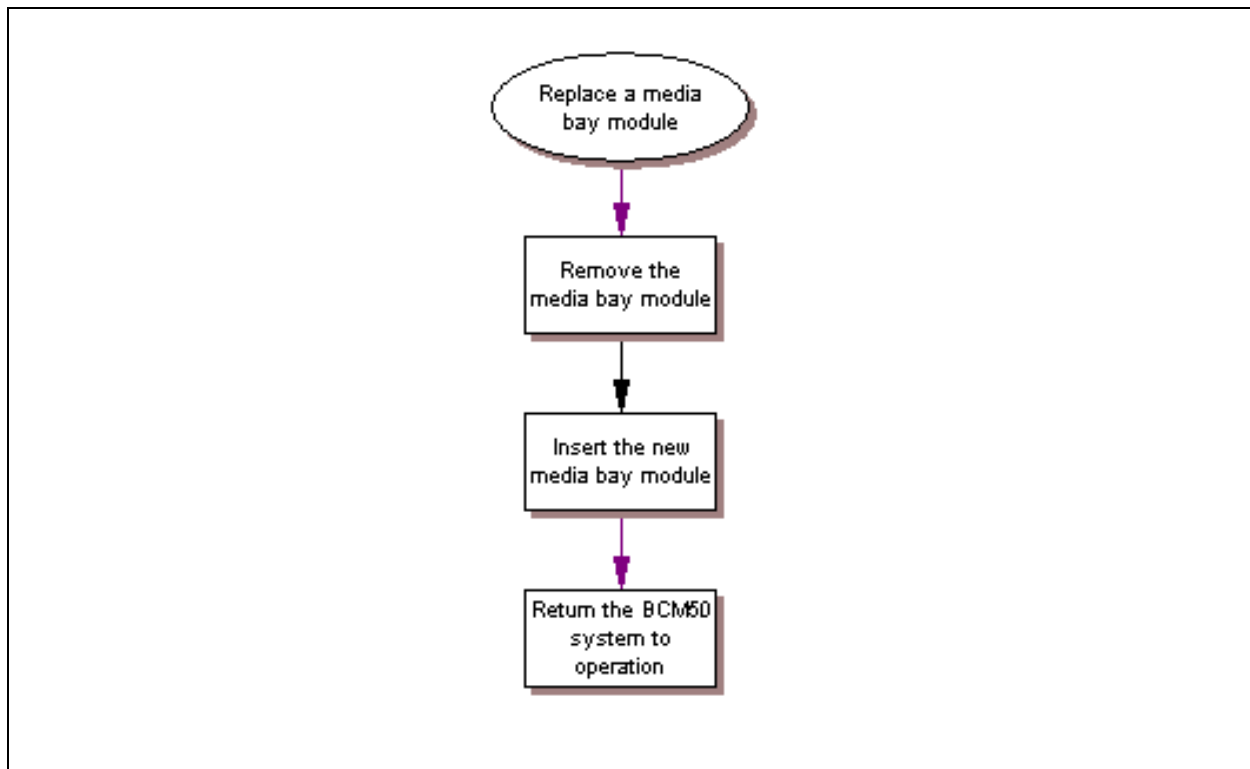
Chapter 22

Replacing a media bay module

This chapter describes the procedure for replacing a media bay module (MBM).

The figure [Overview of replacing an MBM](#) on page 185 shows an overview of replacing the MBM.

Figure 73 Overview of replacing an MBM



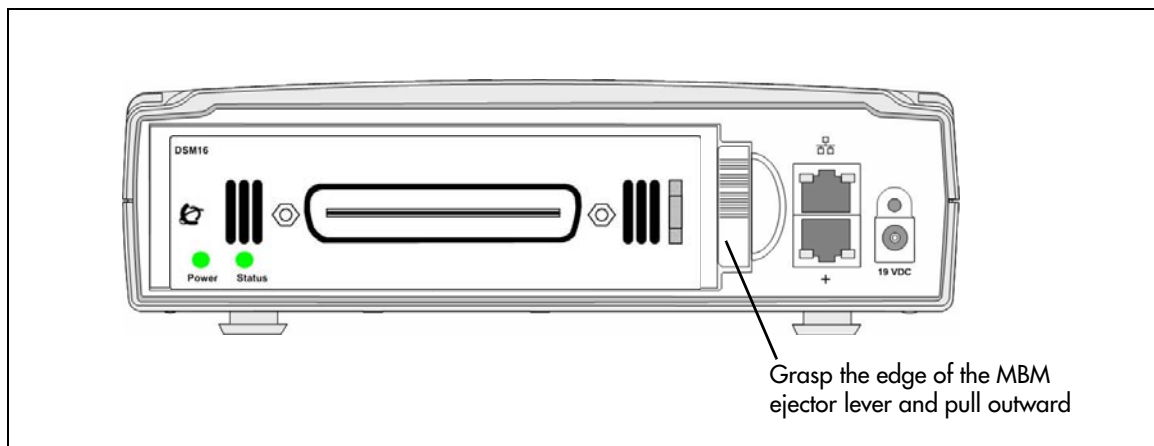
See the following procedures to replace an MBM:

- [To remove the MBM](#) on page 186
- [To insert the new MBM](#) on page 187

To remove the MBM

- 1 Use Element Manager to disable the MBM. For more information about disabling an MBM, see the *Administration Guide*.
- 2 If the expansion unit is wall-mounted, it must be removed from the wall-mount bracket before you remove the MBM. For more information, see the procedure [To remove a wall-mounted expansion unit](#) on page 191, and then proceed to step 7.
- 3 Disconnect all of the telephone line and extension cables from the MBM. If more than one cable exists, mark the cables to identify the port from which you removed them.
- 4 Rotate the power supply retention clip to free the power supply cord.
- 5 Remove the power supply cord from the expansion unit.
- 6 Attach one end of the grounding strap to your wrist and the other end to a grounded metal surface.
- 7 Pull out the ejector lever with your index finger. Then grasp the ejector lever with your thumb and index finger and pull outward to disengage the MBM. See the figure [Pull out the ejector lever with your index finger](#). Then grasp the ejector lever with your thumb and index finger and pull outward to disengage the MBM. See the figure [Pull out the ejector lever with your index finger](#). Then grasp the ejector lever with your thumb and index finger and pull outward to disengage the MBM. See the figure [. Finish removing the MBM by hand.](#) on page 186. [Finish removing the MBM by hand.](#) on page 186. Finish removing the MBM by hand.

Figure 74 Remove an MBM



- 8 Grasp the top and bottom edges of the MBM. Remove the MBM from the expansion unit. Place the MBM on a flat, clean, static-free surface.



Warning: Protect the hardware components against damage from electrostatic discharge. Always wear a ground wrist strap before you handle components. Always place the components in a static-free container.

- 9 Continue with the procedure [To insert the new MBM](#) on page 187.

To insert the new MBM

- 1 Unpack the new MBM.
- 2 Verify that all dip switches are in the factory default positions. See [Verifying the media bay module switch settings](#) on page 98.
- 3 Install the MBM. See [Installing a media bay module in an expansion unit](#) on page 102.
- 4 If the new MBM is a different type of module (for example, you replaced a DSM16 with a 4x16), use Element Manager to configure the new MBM before continuing. For more information about configuring the MBM, see the procedure [To configure the MBM\(s\)](#) on page 158.
- 5 Reconnect the power supply cable. See the procedure [To connect a power supply without a UPS](#) on page 109.
- 6 Connect the telephone line and extension cables to the port on the front of the new MBM. See [Connecting the lines and extensions](#) on page 110.

If the new MBM is a different type of module (for example, you replaced a DSM16 with a 4x16), you must make any additional connections to the MBM before continuing.
- 7 Proceed to the procedure [To test the MBM](#) on page 169.
- 8 Continue with the procedure [To return the system to operation](#) on page 176.

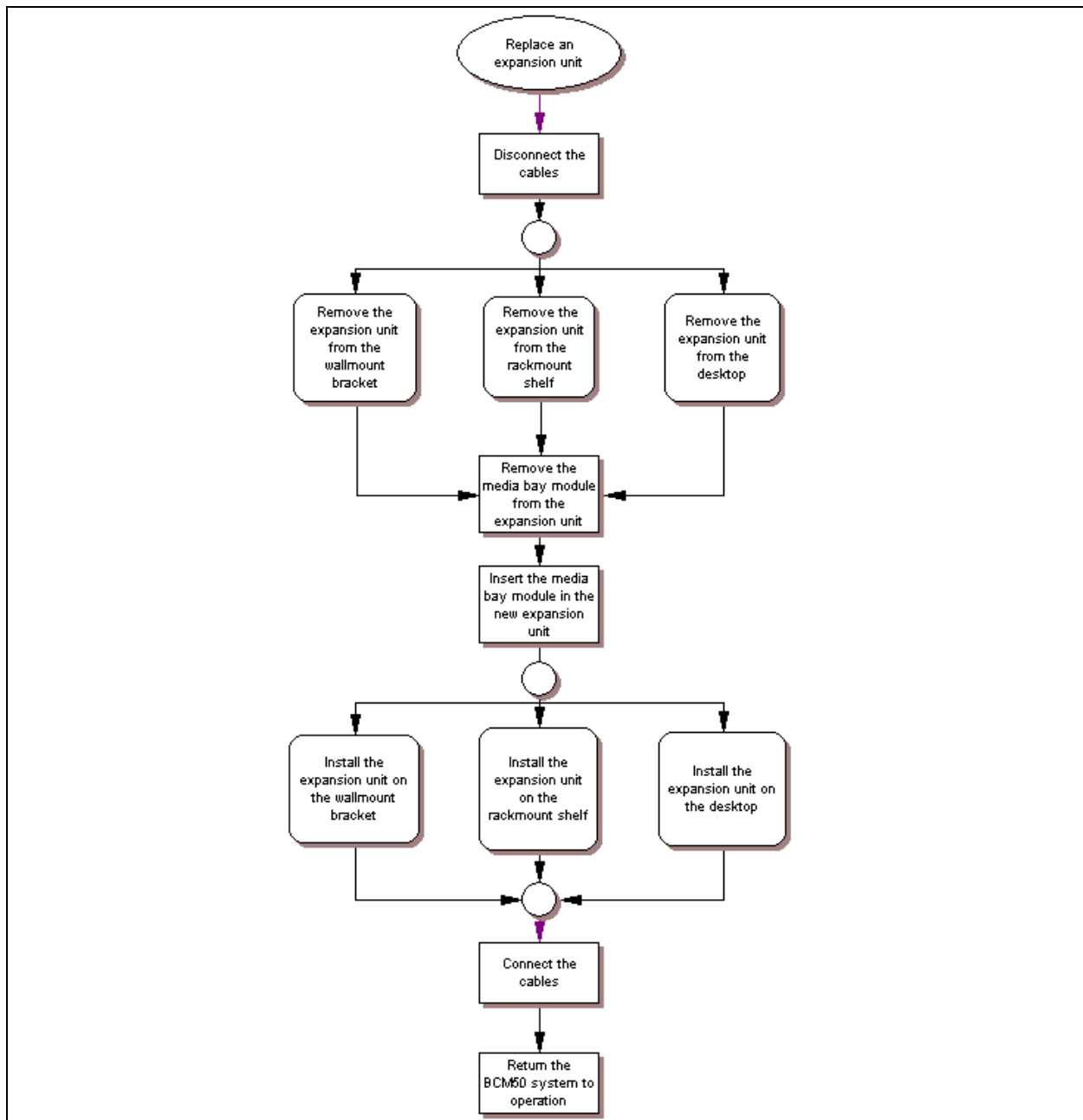
Chapter 23

Replacing an expansion unit

This chapter describes the procedure for replacing an expansion unit.

The figure [Overview of replacing an expansion unit](#) on page 189 shows an overview of replacing an expansion unit.

Figure 75 Overview of replacing an expansion unit



For information about replacing an expansion unit:

- [Disconnecting the cables](#) on page 190
- [Removing the expansion unit](#) on page 190
- [Removing the MBM](#) on page 192
- [Inserting the MBM in the new expansion unit](#) on page 192
- [Installing the new expansion unit](#) on page 193

Disconnecting the cables

Use the following procedure to disconnect the expansion unit from the other equipment.

To disconnect the expansion unit cables

- 1 Use Element Manager to disable the media bay module (MBM) that is installed in the expansion unit. For more information, see the *Nortel Business Communications Manager 5.0 Administration and Security*.
- 2 Disconnect the expansion cable from the expansion port on the expansion unit.
- 3 Disconnect the LAN cable from the LAN port on the expansion unit.
- 4 Disconnect all of the telephone lines and extension cables from the MBM inserted in the expansion unit.
If more than one cable exists, mark the cables to identify the port from which you removed them.
- 5 Rotate the power supply retention clip to free the power supply cord.
- 6 Remove the power supply cord from the expansion unit.



Warning: Leakage currents

You must disconnect the telephony and data networking cables from the system before disconnecting the power cord from a grounded outlet.

- 7 Proceed to [Removing the expansion unit](#) on page 190.

Removing the expansion unit

How you remove the expansion unit depends on how the unit is mounted. Use one of the following procedures to remove the expansion unit:

- [To remove a rack-mounted expansion unit](#) on page 191
- [To remove a wall-mounted expansion unit](#) on page 191
- [To remove a desktop-mounted expansion unit](#) on page 191

To remove a rack-mounted expansion unit

- 1 Ensure you remove all the cables from the expansion unit.
If necessary, see the procedure [To disconnect the expansion unit cables](#) on page 190.
- 2 If a unit is mounted to the top of the expansion unit, slide that unit forward until it disengages from the clips on the expansion unit. Lift the unit off the top of the expansion unit.
- 3 If the expansion unit is mounted on top of another unit, slide the expansion unit forward until it disengages from the clips of the other unit. Go to step 6.
If the expansion unit is not mounted on top of another unit, continue to the next step.
- 4 If the expansion unit is secured to the rack-mount shelf with screws, remove these screws from the bottom of the rack-mount shelf.
- 5 Slide the expansion unit forward until it disengages from the clips on the rack-mount shelf.
- 6 Lift the expansion unit off of the rack-mount shelf or other unit and set it on a flat, clean, static-free surface.
- 7 Continue with the procedure [To remove the MBM](#) on page 186.

To remove a wall-mounted expansion unit

- 1 Ensure you remove all the cables from the expansion unit.
If necessary, see the procedure [To disconnect the expansion unit cables](#) on page 190.
- 2 Lift the expansion unit until it disengages from the clips on the wall-mount bracket.
- 3 Pull out the expansion unit and move it away from the wall-mount bracket.
- 4 Set the expansion unit on a flat, clean, static-free surface.
- 5 Proceed to [Removing the MBM](#) on page 192.

To remove a desktop-mounted expansion unit

- 1 Ensure you remove all the cables from the expansion unit.
If necessary, see the procedure [To disconnect the expansion unit cables](#) on page 190.
- 2 If a unit is mounted to the top of the expansion unit, slide that unit forward until it disengages from the clips on the expansion unit. Lift the unit off the top of the expansion unit and set it on a flat, clean, static-free surface.
- 3 If the expansion unit is mounted on top of another unit, slide the expansion unit forward until it disengages from the clips of the other unit.
- 4 Lift the expansion unit off of the table or other unit and set it on a flat, clean, static-free surface.
- 5 Proceed to [Removing the MBM](#) on page 192.

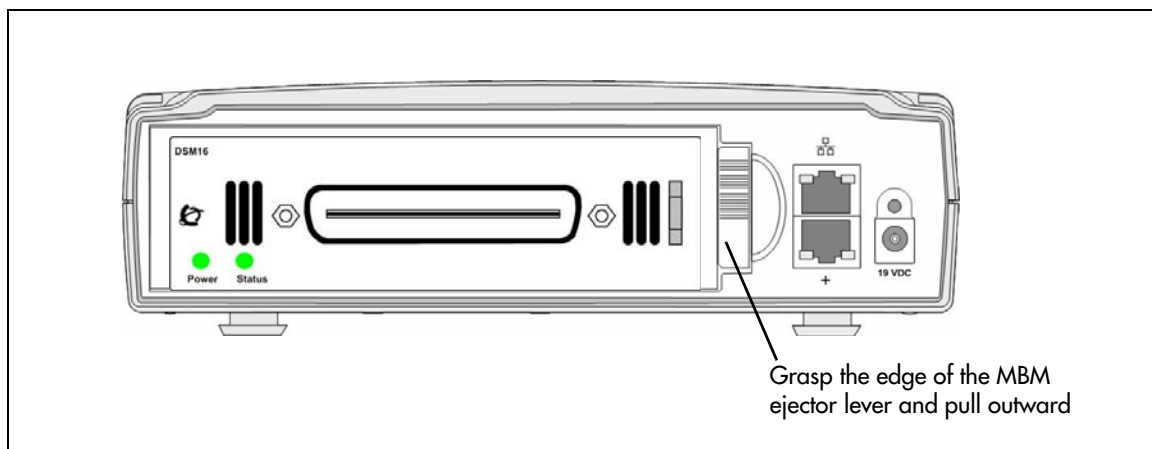
Removing the MBM

After you remove the expansion unit, use the following procedure to remove the MBM from the expansion unit.

To remove the MBM

- 1 Attach one end of a grounding strap to your wrist and the other end to a grounded metal surface.
- 2 Grasp the right edge of the MBM ejector lever with your thumb, index, and middle fingers. Pull outward to partially eject the MBM. Pull further on the lever to eject the MBM from the expansion unit. See the figure [Remove an MBM](#) on page 192.

Figure 76 Remove an MBM



- 3 Grasp the top and bottom edges of the MBM. Remove the MBM from the expansion unit. Place the MBM in a flat, clean, and static-free surface.



Warning: Protect the hardware components against damage from electrostatic discharge. Always wear a ground wrist strap before you handle components. Always place the components in a static-free container.

- 4 Proceed to [Installing the new expansion unit](#) on page 193.

Inserting the MBM in the new expansion unit

To insert the MBM in the new expansion unit, see [Installing a media bay module in an expansion unit](#) on page 102.

Proceed to [Installing the new expansion unit](#) on page 193.

Installing the new expansion unit

Use one of the following procedures to install the new expansion unit:

- [Installing the BCM50 unit in an equipment rack](#) on page 84
- [Installing the BCM50 unit on the wall](#) on page 88
- [Installing the BCM50 unit on a desktop or shelf](#) on page 93

After you install the new expansion unit, continue with the procedure [To connect the cables](#) on page 193.

To connect the cables

- 1 Insert the power supply retention clip into the new expansion unit.
- 2 Rotate the power supply retention clip so that the power supply jack is clear.
- 3 Connect the power supply cord to the expansion unit.
- 4 Rotate the power supply retention clip to lock the power supply cord in place.
- 5 Connect the expansion cable to the expansion port on the front of the expansion unit.
- 6 Connect the LAN cable to the LAN port on the front of the expansion unit (if applicable).
- 7 Connect all of the telephone line and extension cables to the MBM inserted in the expansion unit. To ensure the same line and extension numbering, make sure you connect the cables to the ports from which you removed them.



Warning: Leakage currents

You must connect the power cord to a grounded outlet before connecting the telephony and data networking cables to the system.

- 8 Use Element Manager to enable the MBM. For more information about enabling an MBM, see the *Administration Guide*.

Chapter 24

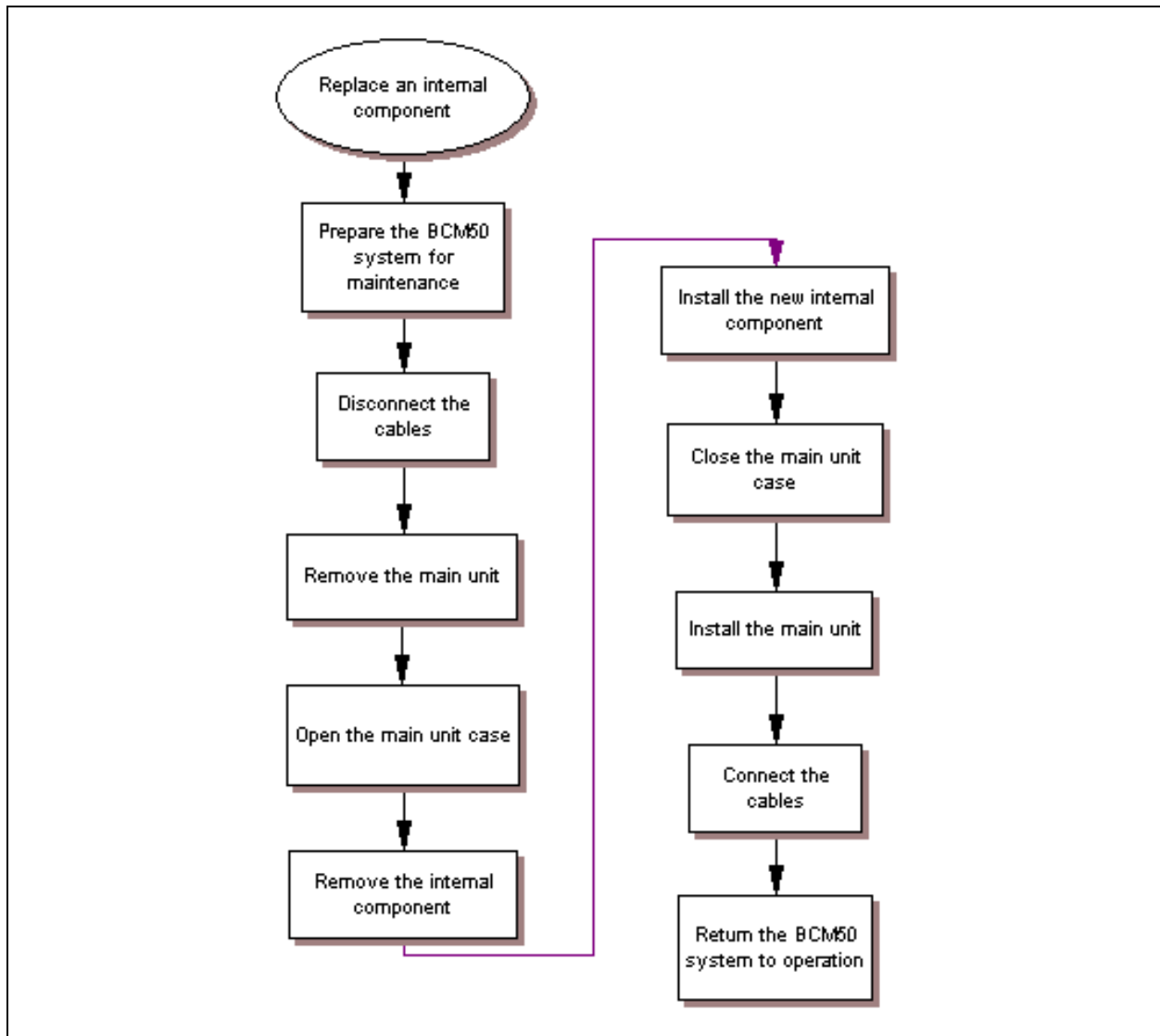
Replacing an internal component

You can replace three components inside the main unit: the hard disk, the fan, and the router card. The figure [Overview of replacing an internal component](#) on page 195 shows an overview of replacing an internal component.



Caution: You must wear an antistatic grounding strap at all times when handling electronic components. Failure to do so can result in damage to the equipment.

Figure 77 Overview of replacing an internal component



For information about replacing an internal component:

- [Preparing the system for maintenance](#) on page 196
- [Removing the main unit](#) on page 196
- [Opening the main unit case](#) on page 196
- [Removing an internal component](#) on page 198
- [Inserting the new component](#) on page 201
- [Closing the main unit case](#) on page 206
- [Installing the main unit](#) on page 207

Special tools

Before you replace the components, ensure you have the following equipment:

- Phillips screwdriver #2, with a 3.5-inch blade
- 3/16-inch slot screwdriver
- antistatic wrist grounding strap



Caution: You must wear an antistatic grounding strap at all times when handling electronic components. Failure to do so can result in damage to the equipment.

Preparing the system for maintenance

If the system is still operating, perform the procedure [To shut down the system](#) on page 176.

After the system shuts down, perform the procedure [To disconnect the cables](#) on page 182.

Removing the main unit

The method you use to remove the main unit depends on how the unit is mounted. Use one of the following procedures to remove the BCM50 main unit:

- [To remove a rack-mounted main unit](#) on page 183
- [To remove a wall-mounted main unit](#) on page 183
- [To remove a desktop mounted main unit](#) on page 183

Opening the main unit case

This procedure is based on the assumption that you intend to perform maintenance activities. Do not operate the main unit with the cover removed.

To open the main unit case

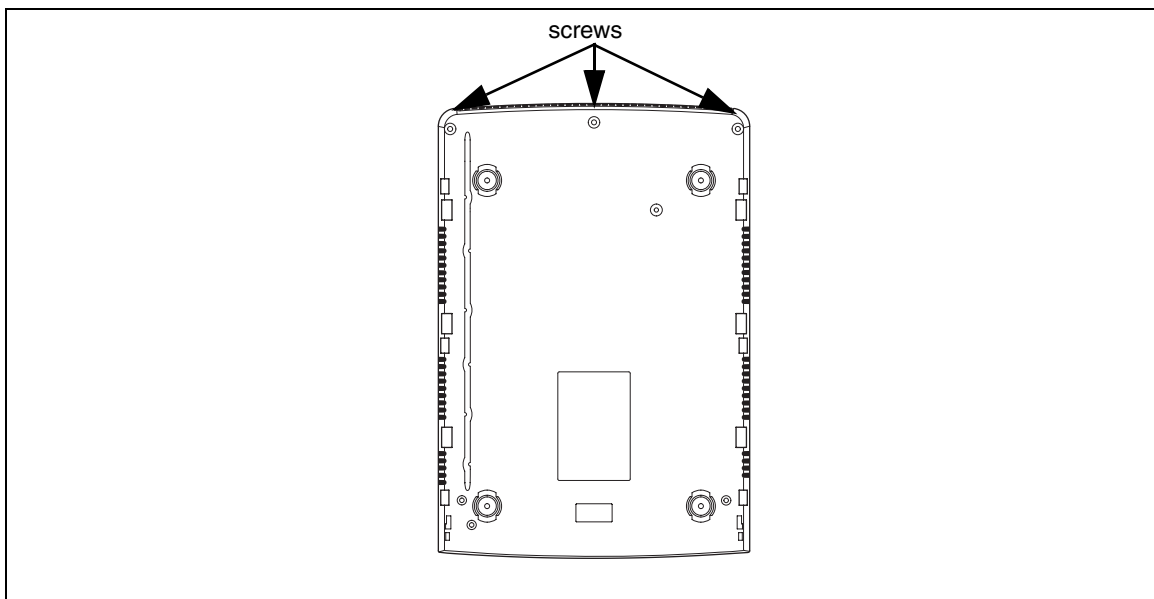


Danger: Electrical shock warning.

Disconnect the power cord, telephone cables, and network cables before opening the BCM50 main unit.

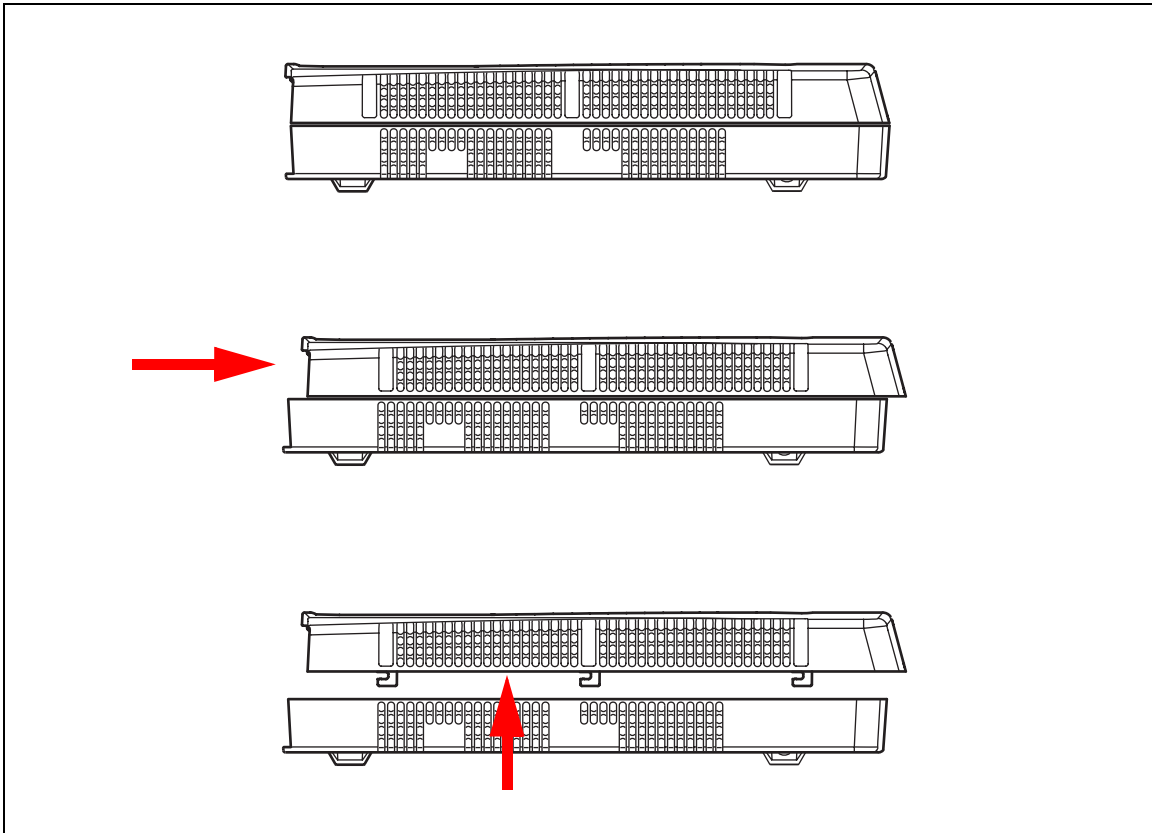
- 1 Attach one end of a grounding strap to your wrist and the other end to a grounded metal surface.
- 2 Turn the main unit over so that the bottom of the unit is facing up.
- 3 Remove the three case screws from the back of the unit. For the location of the screws, see the figure [BCM50 case screws](#) on page 197.

Figure 78 BCM50 case screws



- 4 Turn the BCM50 unit over so that the top of the unit is facing up.
- 5 While holding the bottom of the BCM50 case, slide the top of the case back to disengage the locking clips. See the figure [Remove the top of the case](#) on page 198.

Figure 79 Remove the top of the case



- 6 Lift the top of the case off the BCM50 unit.
- 7 Proceed to [Removing an internal component](#) on page 198.

Removing an internal component

Use one of the following procedures to remove the component:

- [To remove the hard disk](#) on page 199
- [To remove the fan](#) on page 200
- [To remove the router card](#) on page 201



Warning: Protect the hardware components against damage from electrostatic discharge. Always wear a ground wriststrap before you handle components. Always place the components in static-free container.

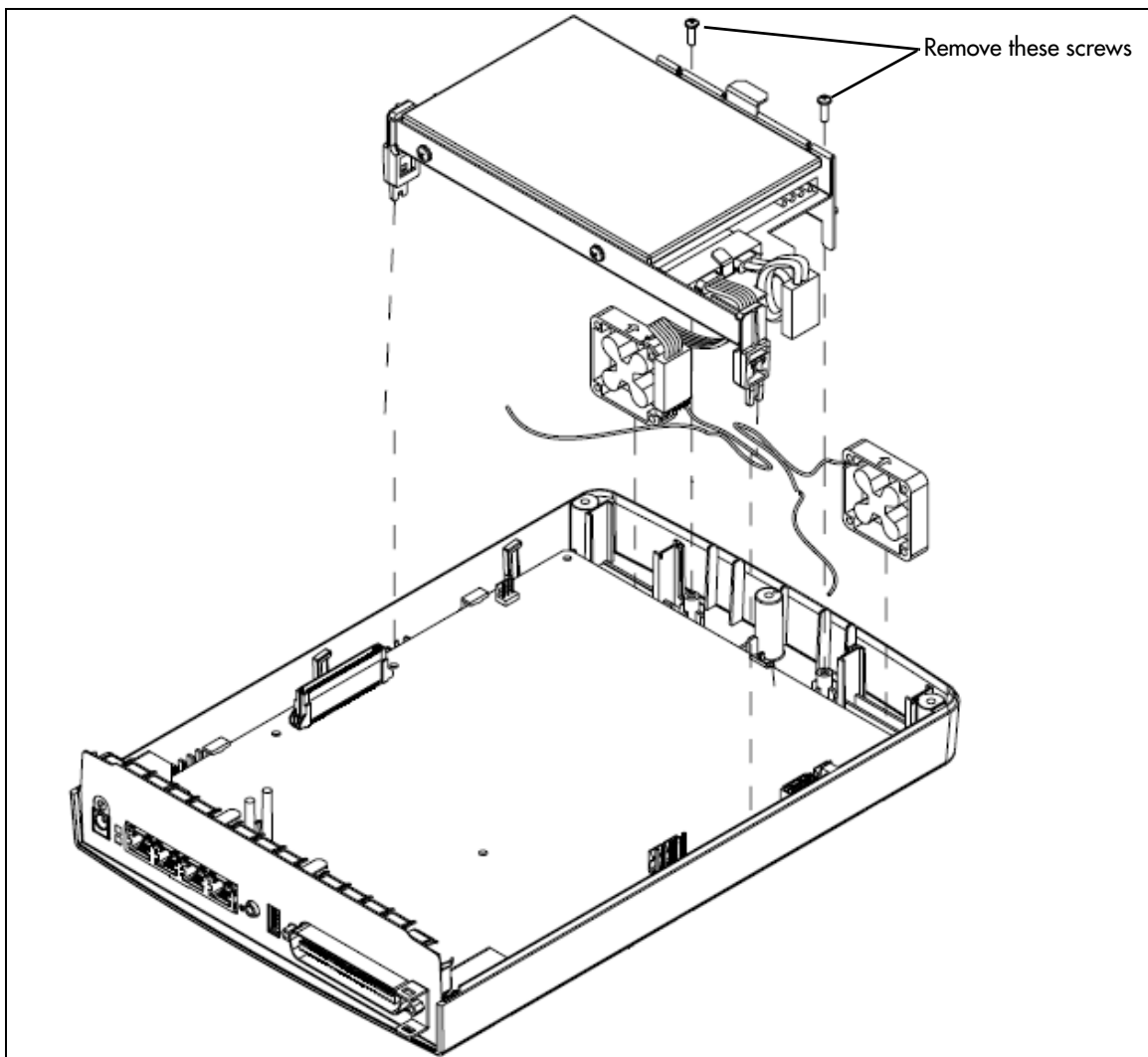
To remove the hard disk



Caution: Do not use an electric or magnetized screwdriver near the hard disk. You can lose the information stored on the disk. Shock can damage the hard disk. Do not drop or hit the hard disk.

- 1 Attach one end of a grounding strap to your wrist and the other end to a grounded metal surface.
- 2 Remove the two screws that attach the hard disk assembly to the main unit. See the figure [Cable routing](#) on page 204.

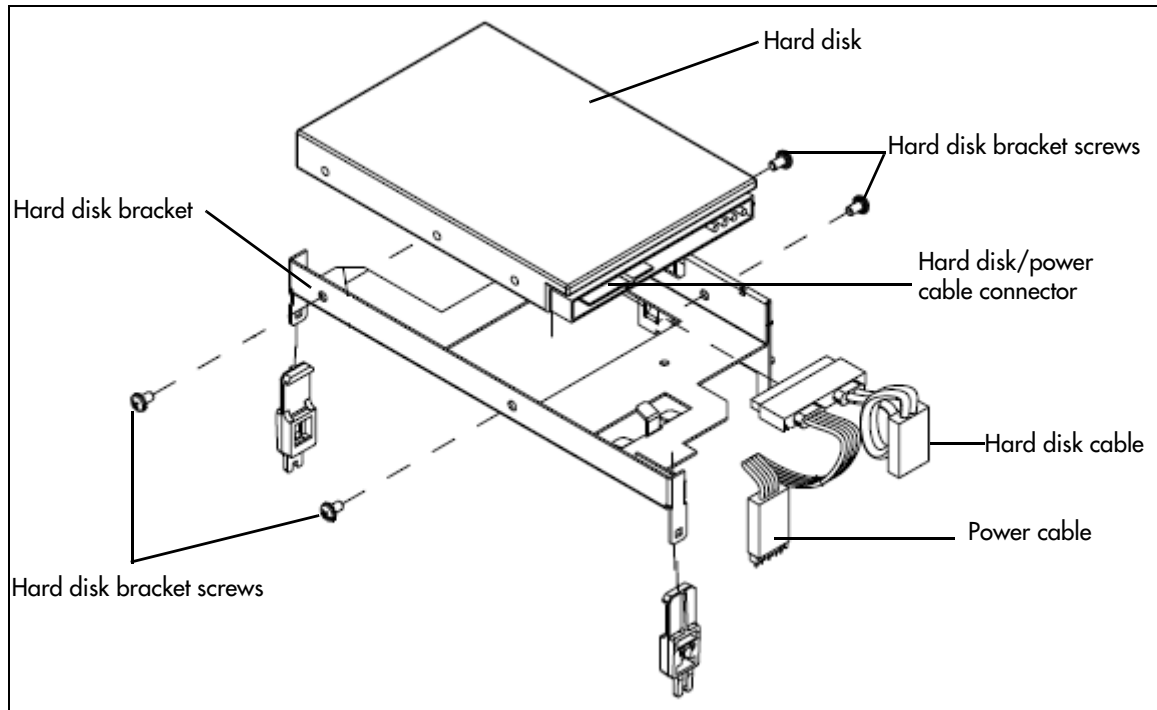
Figure 80 Hard disk and bracket installation



- 3 Lift the hard disk and hard disk bracket from the main unit and place them on a flat, clean, static-free surface.

- 4 Remove the four screws that secure the hard disk to the hard disk bracket. See the figure [Hard disk and bracket assembly](#) on page 200.

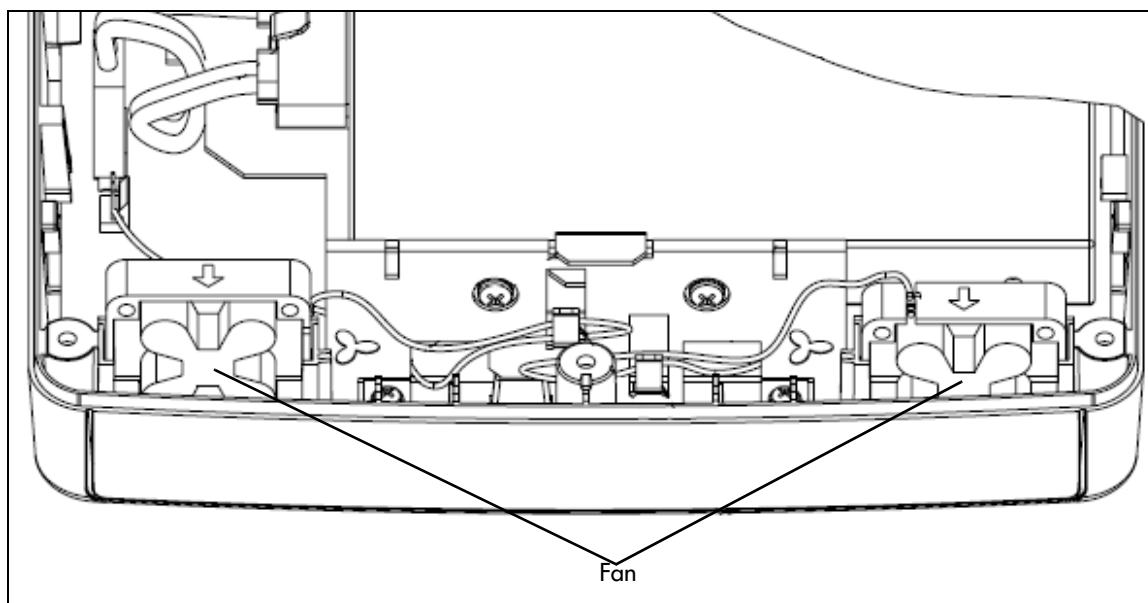
Figure 81 Hard disk and bracket assembly



- 5 Remove the hard disk and power cable from the connector.
- 6 Lift the hard disk from the hard disk bracket and set it on a flat, clean, static-free surface.
- 7 Proceed to [Inserting the new component](#) on page 201.

To remove the fan

- 1 Attach one end of a grounding strap to your wrist and the other end to a grounded metal surface.
- 2 Ensure the main unit case is open. If necessary, see [Opening the main unit case](#) on page 196.
- 3 Remove the hard disk to access the fan cable. See the procedure [To remove the hard disk](#) on page 199.
- 4 Remove the fan cable from the header. See the figure [Location of fan](#) on page 201.

Figure 82 Location of fan

- 5 Lift the fan from the main unit and set it on a flat, clean, static-free surface.
- 6 Proceed to [Inserting the new component](#) on page 201.

To remove the router card

- 1 Attach one end of a grounding strap to your wrist and the other end to a grounded metal surface.
- 2 Ensure the main unit case is open. If necessary, see [Opening the main unit case](#) on page 196.
- 3 Remove the three router card retaining screws.
- 4 Gently lift the back of the router card to disengage it from the card connector.
- 5 Slide the router card back so the modular connectors clear the bezel.
- 6 Lift the router card over the top of the LED pipes and place it on a flat, clean, static-free surface.
- 7 Proceed to [Inserting the new component](#) on page 201.

Inserting the new component

Use one of the following procedures to insert the new component:

- [To insert the new hard disk](#) on page 202
- [To insert the new fan](#) on page 204
- [To insert the new router card](#) on page 205



Caution: Use only a Nortel-approved replacement part. Contact your account representative for the current list of approved replacement parts.



Warning: Protect the hardware components against damage from electrostatic discharge. Always wear a ground wriststrap before you handle components. Always place the components in static-free container.

To insert the new hard disk



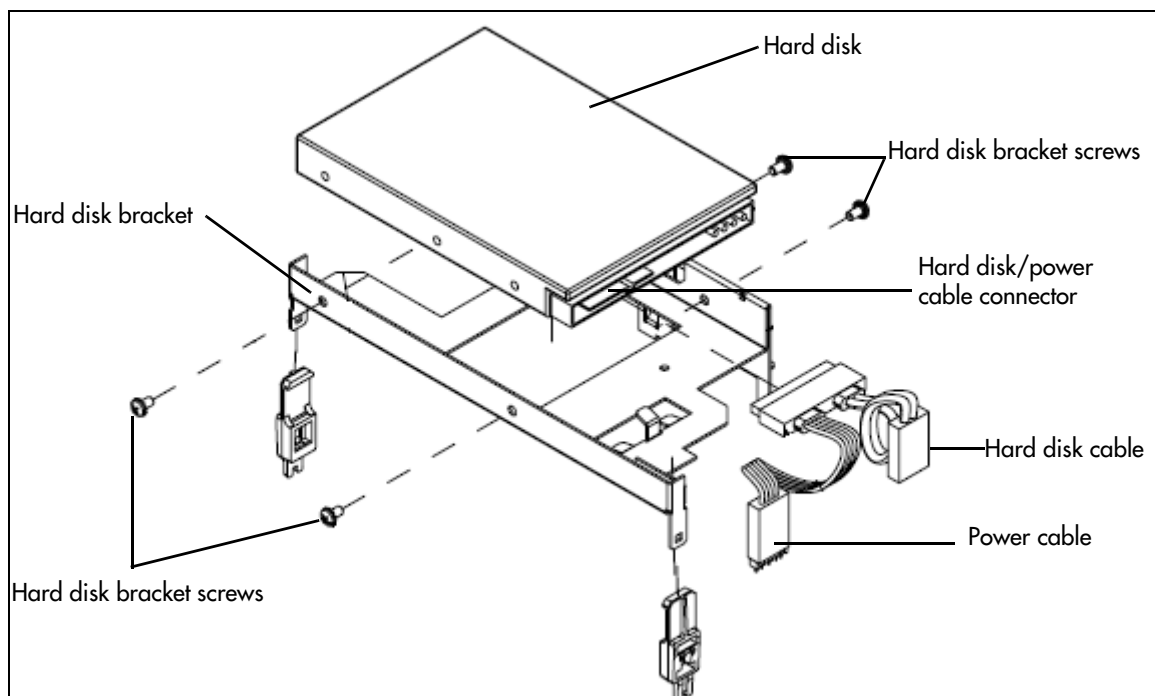
Caution: Do not use an electric or magnetized screwdriver near the hard disk. You can lose the information stored on the disk. Shock can damage the hard disk. Do not drop or hit the hard disk.

- 1 Attach one end of a grounding strap to your wrist and the other end to a grounded metal surface.
- 2 Connect the hard disk cable and power cable to the hard disk connector. See the figure [Hard disk and bracket assembly](#) on page 202.



Note: If the cables do not insert properly, check that the notch on the hard disk connector is aligned with the corresponding notch on the cable.

Figure 83 Hard disk and bracket assembly



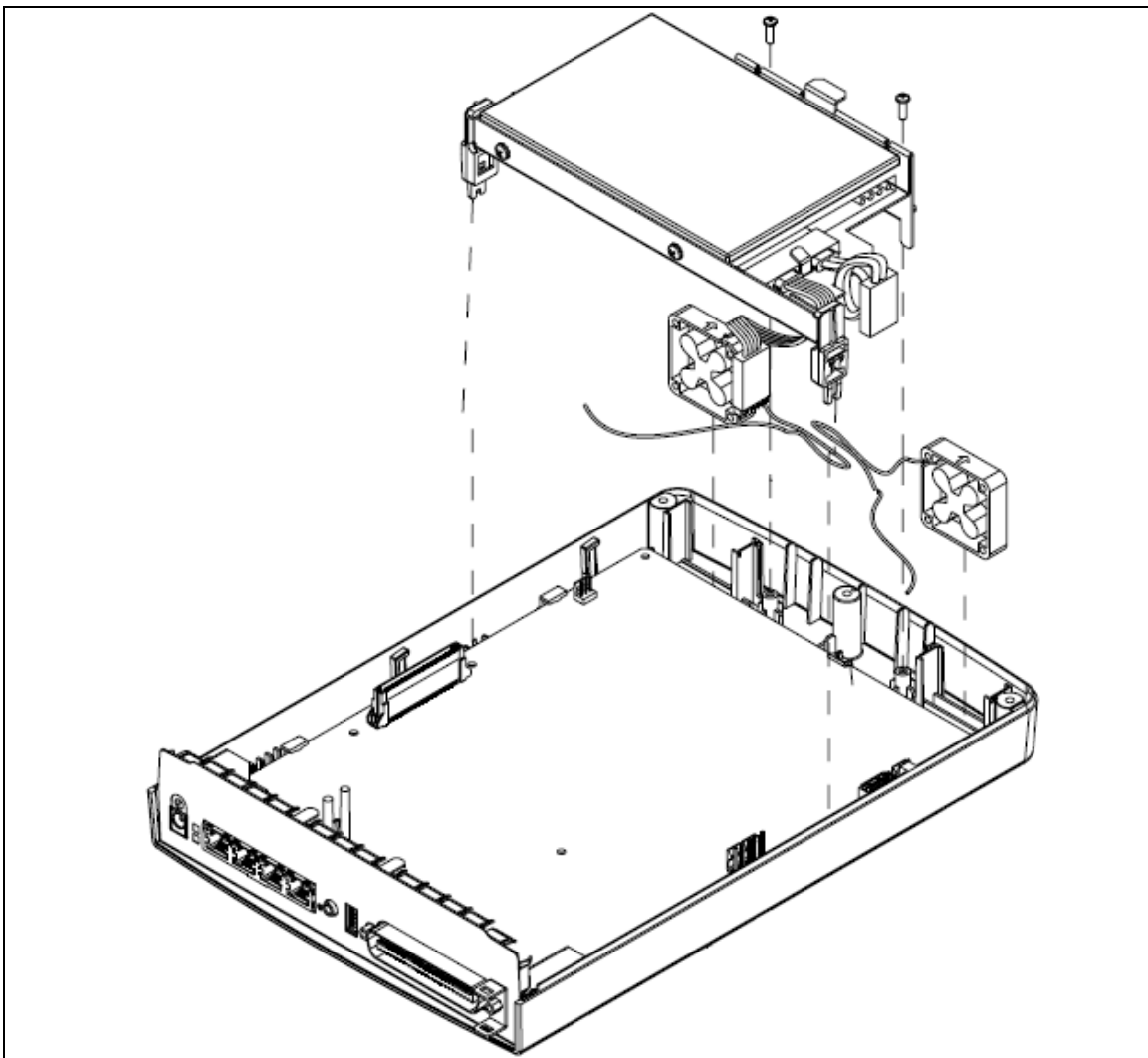
- 3 Place the new hard disk in the hard disk bracket.
- 4 Use the four hard disk bracket screws to secure the hard disk to the bracket.



Caution: Use only the screws that you removed from the hard disk in the procedure [To remove the hard disk](#) on page 199. Using other screws can damage the hard disk.

- 5 Set the hard disk and bracket in the main unit. See the figure [Cable routing](#) on page 204.
Make sure that the hard disk cable and power cable are routed properly. Route the power cable under the bracket and loop the hard disk cable as shown.

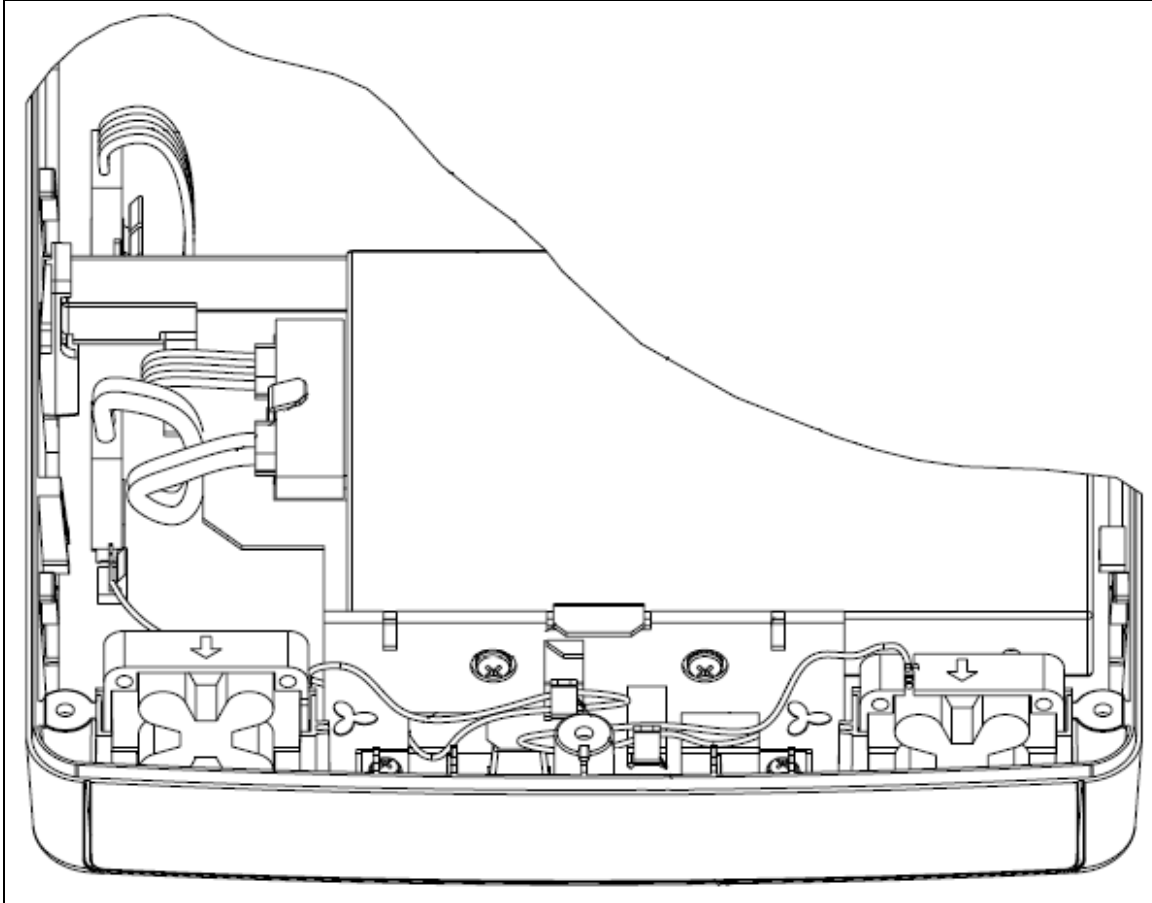
Figure 84 Hard disk and bracket installation



- 6 Press down lightly on the top of the hard disk to ensure that the hard disk bracket is seated properly.

- 7 Ensure you route the fan cable through the cutouts under the hard disk and bracket. Also, make sure you secure any slack in the fan cable in the clips on the hard disk bracket. See the figure [Cable routing](#) on page 204).

Figure 85 Cable routing



Caution: Ensure that you follow the same routing for the cables as before you removed the component.

- 8 Fasten the hard disk assembly to the main unit with two screws. Use only the supplied screws, since other screws can damage the unit.
- 9 Perform a restore or manually reprogram the system.
- 10 Continue with the procedure [To close the main unit case](#) on page 206.

To insert the new fan

- 1 Attach one end of a grounding strap to your wrist and the other end to a grounded metal surface.
- 2 Insert the new fan into the fan slot in the bottom of the BCM50 case.

Ensure the fans are oriented so air flows out of the unit.



Note: Ensure the label of the new fan faces the back of the BCM50 unit. Air must flow out of the unit as indicated by the arrows imprinted on the fan.

- 3 Connect the fan cable to the header.
- 4 Ensure your route the fan cable through the cutouts under the hard disk and bracket. Also, make sure that you secure any slack in the fan cable with the clips on the hard disk bracket. See the figure [Cable routing](#) on page 204.



Note: Do not force the cable. The connectors on the fan cable prevents you from inserting the cable backwards. If you cannot insert the cable properly, check that the raised edge on the fan cable connector faces the plastic tab on the header.

- 5 Insert the hard disk. See the procedure [To insert the new hard disk](#) on page 202.
- 6 Continue with the procedure [To close the main unit case](#) on page 206.

To insert the new router card

- 1 Attach one end of a grounding strap to your wrist and the other end to a grounded metal surface.
- 2 With the back of the router card raised enough to clear the LED pipes, align the modular connectors on the router card with the corresponding holes in the bezel.
- 3 Move the router card forward until the front edge of the card touches the bezel.
- 4 Align the card connector on the router card with the connector on the Compact Services Card (CSC).
- 5 Gently press down on the back of the router card to seat the router card in the connector on the CSC.
- 6 Use the three screws you removed in the procedure [To remove the router card](#) on page 201 to secure the Router card to the CSC.



Caution: Use only the original screws to secure the Router card. Using other screws can interfere with proper installation.

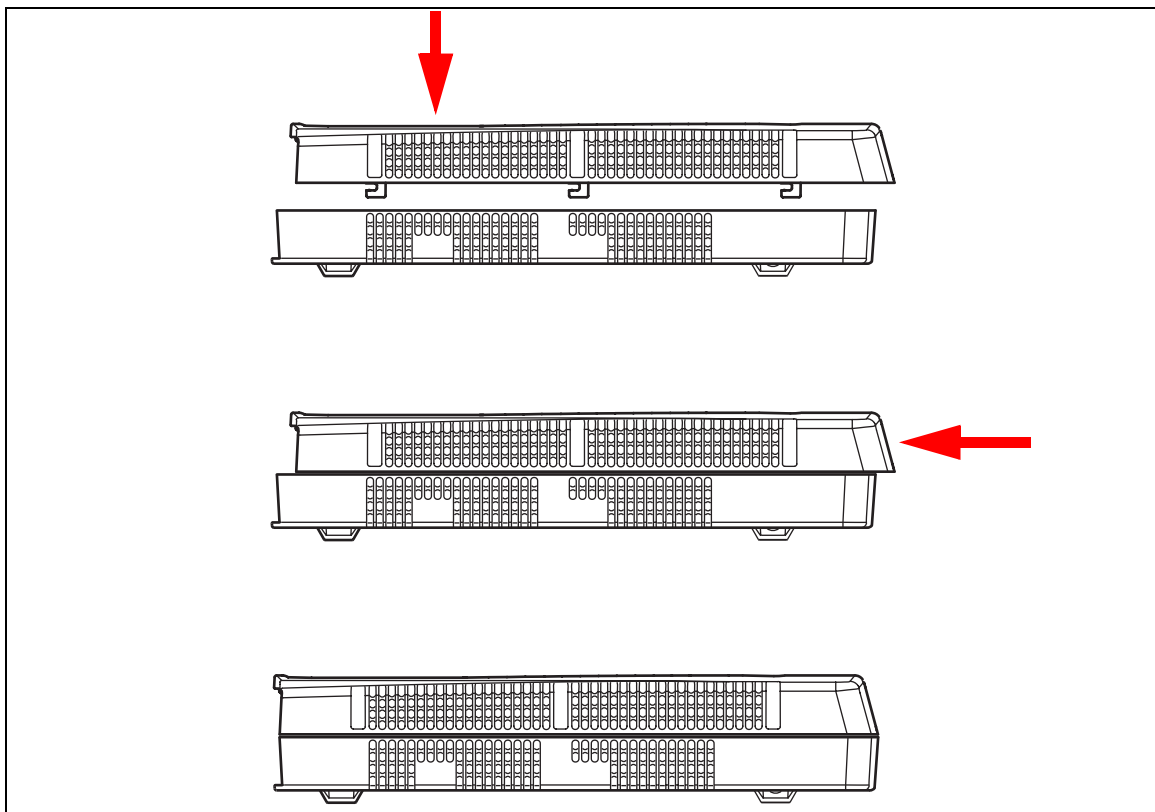
- 7 Continue with the procedure [To close the main unit case](#) on page 206.

Closing the main unit case

To close the main unit case

- 1 Attach one end of a grounding strap to your wrist and the other end to a grounded metal surface.
- 2 Place the top of the case on top of the main unit case. Make sure the side edges of the case are aligned and the front of the top is back about 1 cm (3/8 in.).
- 3 Slide the top of the case forward until it clicks in place. See the figure [Replacing the top of the case](#) on page 206.

Figure 86 Replacing the top of the case



- 4 Turn the main unit over so you can access the screws holes on the bottom of the unit.
- 5 Insert the three case screws in the back of the unit and tighten them. For the location of the screws, see the figure [BCM50 case screws](#) on page 197.



Caution: Use only the screws that you removed from the unit in the procedure [Opening the main unit case](#) on page 196. Do not use any other screws.

- 6 Turn the main unit over so that the top of the unit faces up.
- 7 Proceed to [Installing the main unit](#) on page 207.

Installing the main unit

Use one of the following procedures to install the BCM50 main unit:

- [Installing the BCM50 unit on the rack-mount shelf](#) on page 85
- [To install the BCM50 unit on the wall-mount bracket](#) on page 90
- [To install the BCM50 unit on a desktop or shelf](#) on page 93

Connecting the cables

Use the procedure [To connect the cables](#) on page 184 to reconnect the cables to the main unit.

Appendix A

RJ-21 telephony connector wiring chart

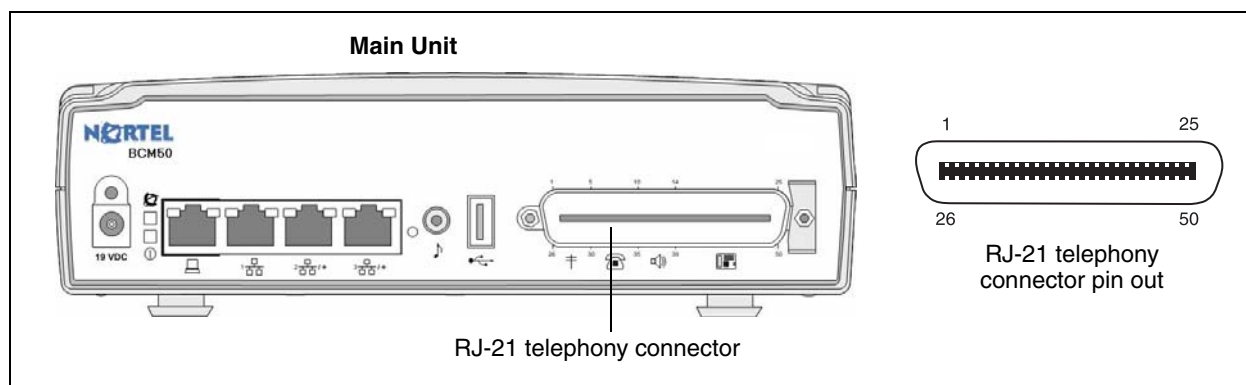
You can connect 4 analog telephone lines (standard main units only), 4 analog telephony devices, and 12 digital telephones to the RJ-21 telephony connector.



Note: The four analog lines on the RJ-21 telephony connector are available only on the standard main units. The four analog lines are not available on the BRI series (b-series) main units, which have two BRI ports instead.

The figure [RJ-21 telephony connector on a BCM50](#) on page 209 shows the RJ-21 telephony connector on a BCM50.

Figure 87 RJ-21 telephony connector on a BCM50



The table [RJ-21 telephony connector wiring](#) on page 209 lists the wiring details for the RJ-21 telephony connector.

Table 33 RJ-21 telephony connector wiring (Sheet 1 of 3)

| Device | Pin | Connection | Wire color | Type of device | Port | Default DN | Default line number |
|--------|-----|------------|--------------|----------------|------|------------|---------------------|
| 1 | 26 | Tip | White-Blue | Analog line | — | — | 061 |
| | 1 | Ring | Blue-White | | | | |
| 2 | 27 | Tip | White-Orange | Analog line | — | — | 062 |
| | 2 | Ring | Orange-White | | | | |
| 3 | 28 | Tip | White-Green | Analog line | — | — | 063 |
| | 3 | Ring | Green-White | | | | |
| 4 | 29 | Tip | White-Brown | Analog line | — | — | 064 |
| | 4 | Ring | Brown-White | | | | |

Note: The four analog lines are available only on the standard main units; the analog lines are not available on the BRI series (b-series) main units, which have two BRI ports instead.

Table 33 RJ-21 telephony connector wiring (Sheet 2 of 3)

| Device | Pin | Connection | Wire color | Type of device | Port | Default DN | Default line number |
|--------|-----|---------------|---------------|--------------------------|------|------------|---------------------|
| 5 | 30 | Tip | White-Slate | Analog telephone | 413 | 233 | — |
| | 5 | Ring | Slate-White | | | | |
| 6 | 31 | Tip | Red-Blue | Analog telephone | 414 | 234 | — |
| | 6 | Ring | Blue-Red | | | | |
| 7 | 32 | Tip | Red-Orange | Analog telephone | 415 | 235 | — |
| | 7 | Ring | Orange-Red | | | | |
| 8 | 33 | Tip | Red-Green | Analog telephone | 416 | 236 | — |
| | 8 | Ring | Green-Red | | | | |
| 9 | 34 | No connection | Red-Brown | No connection | — | — | — |
| | 9 | No connection | Brown-Red | | | | |
| 10 | 35 | Tip | Red-Slate | Auxiliary Ringer | — | — | — |
| | 10 | Ring | Slate-Red | | | | |
| 11 | 36 | Tip | Black-Blue | Page Relay | — | — | — |
| | 11 | Ring | Blue-Black | | | | |
| 12 | 37 | Tip | Black-Orange | Page Output | — | — | — |
| | 12 | Ring | Orange-Black | | | | |
| 13 | 38 | Tip | Black-Green | Music Source | — | — | — |
| | 13 | Ring | Green-Black | | | | |
| 14 | 39 | Tip | Black-Brown | Digital telephone | 412 | 232 | — |
| | 14 | Ring | Brown-Black | | | | |
| 15 | 40 | Tip | Black-Slate | Digital telephone | 411 | 231 | — |
| | 15 | Ring | Slate-Black | | | | |
| 16 | 41 | Tip | Yellow-Blue | Digital telephone | 410 | 230 | — |
| | 16 | Ring | Blue-Yellow | | | | |
| 17 | 42 | Tip | Yellow-Orange | Digital telephone | 409 | 229 | — |
| | 17 | Ring | Orange-Yellow | | | | |
| 18 | 43 | Tip | Yellow-Green | Digital telephone | 408 | 228 | — |
| | 18 | Ring | Green-Yellow | | | | |
| 19 | 44 | Tip | Yellow-Brown | Digital telephone | 407 | 227 | — |
| | 19 | Ring | Brown-Yellow | | | | |
| 20 | 45 | Tip | Yellow-Slate | Digital telephone | 406 | 226 | — |
| | 20 | Ring | Slate-Yellow | | | | |
| 21 | 46 | Tip | Violet-Blue | Digital telephone | 405 | 225 | — |
| | 21 | Ring | Blue-Violet | | | | |
| 22 | 47 | Tip | Violet-Orange | Digital telephone | 404 | 224 | — |
| | 22 | Ring | Orange-Violet | | | | |

Table 33 RJ-21 telephony connector wiring (Sheet 3 of 3)

| Device | Pin | Connection | Wire color | Type of device | Port | Default DN | Default line number |
|---------------|------------|-------------------|-------------------|--------------------------|-------------|-------------------|----------------------------|
| 23 | 48 | Tip | Violet-Green | Digital telephone | 403 | 223 | — |
| | 23 | Ring | Green-Violet | | | | |
| 24 | 49 | Tip | Violet-Brown | Digital telephone | 402 | 222 | — |
| | 24 | Ring | Brown-Violet | | | | |
| 25 | 50 | Tip | Violet-Slate | Digital telephone | 401 | 221 | — |
| | 25 | Ring | Slate-Violet | | | | |

Appendix B

BRI wiring chart

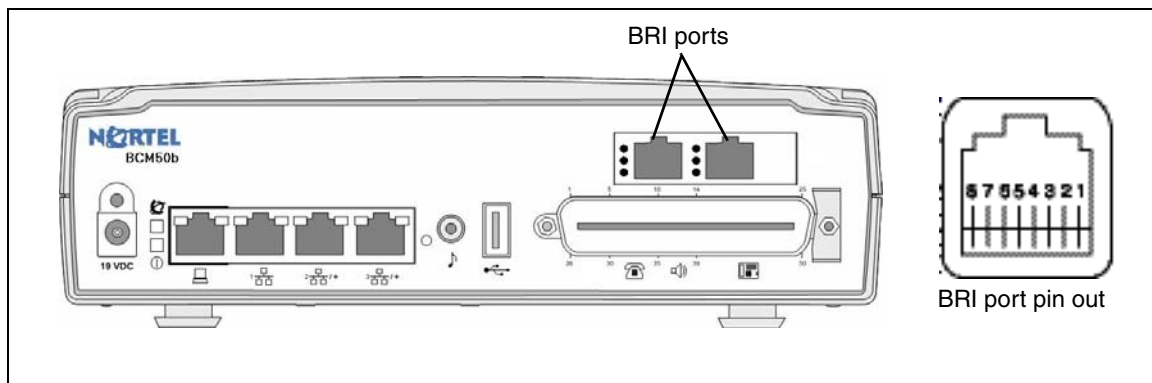
The digital BRI ISDN lines connects to the BCM50b, BCM50ba, and BCM50be main units through the BRI ports (RJ-45) on the front of the main units. See the figure [BRI ports and pin out \(BCM50b shown\)](#) on page 213.

The figure [BRI ports and pin out \(BCM50b shown\)](#) on page 213, the table [BRI port wiring](#) on page 213, and the table [BRI line numbering](#) on page 214 apply to S-Loop and T-Loop connections. S-Loop are used to connect S-Loop devices such as video phones, terminal adapters, and Grp 3 Fax machines. The T-Loops are used to connect to the CO/PSTN.



Warning: For a U-loop connection, the BRI port must be connected only to an NT1 provided by the service provider. The NT1 must provide a Telecommunication Network Voltage (TNV) to Safety Extra Low Voltage (SELV) barrier.

Figure 88 BRI ports and pin out (BCM50b shown)



The table [BRI port wiring](#) on page 213 and the table [BRI line numbering](#) on page 214 list the wiring details for the RJ-45 ports.

Table 34 BRI port wiring

| Pin | Signal | Signal on system side |
|-----|------------------|-----------------------|
| 1 | No connection | No connection |
| 2 | No connection | No connection |
| 3 | + Receive (+Rx) | +Tx |
| 4 | + Transmit (+Tx) | +Rx |
| 5 | - Transmit (-Tx) | -Rx |
| 6 | - Receive (-Rx) | -Tx |
| 7 | No connection | No connection |
| 8 | No connection | No connection |

Table 35 BRI line numbering

| Port number | Default line numbers on Expansion port 1 | Default line numbers on Expansion port 2 |
|--------------------|-----------------------------------------------------|-----------------------------------------------------|
| 1 | 065 – 066 | 095 – 096 |
| 2 | 067 – 068 | 097 – 098 |
| 3 | 069 – 070 | 099 – 100 |
| 4 | 071 – 072 | 101 – 102 |

Appendix C

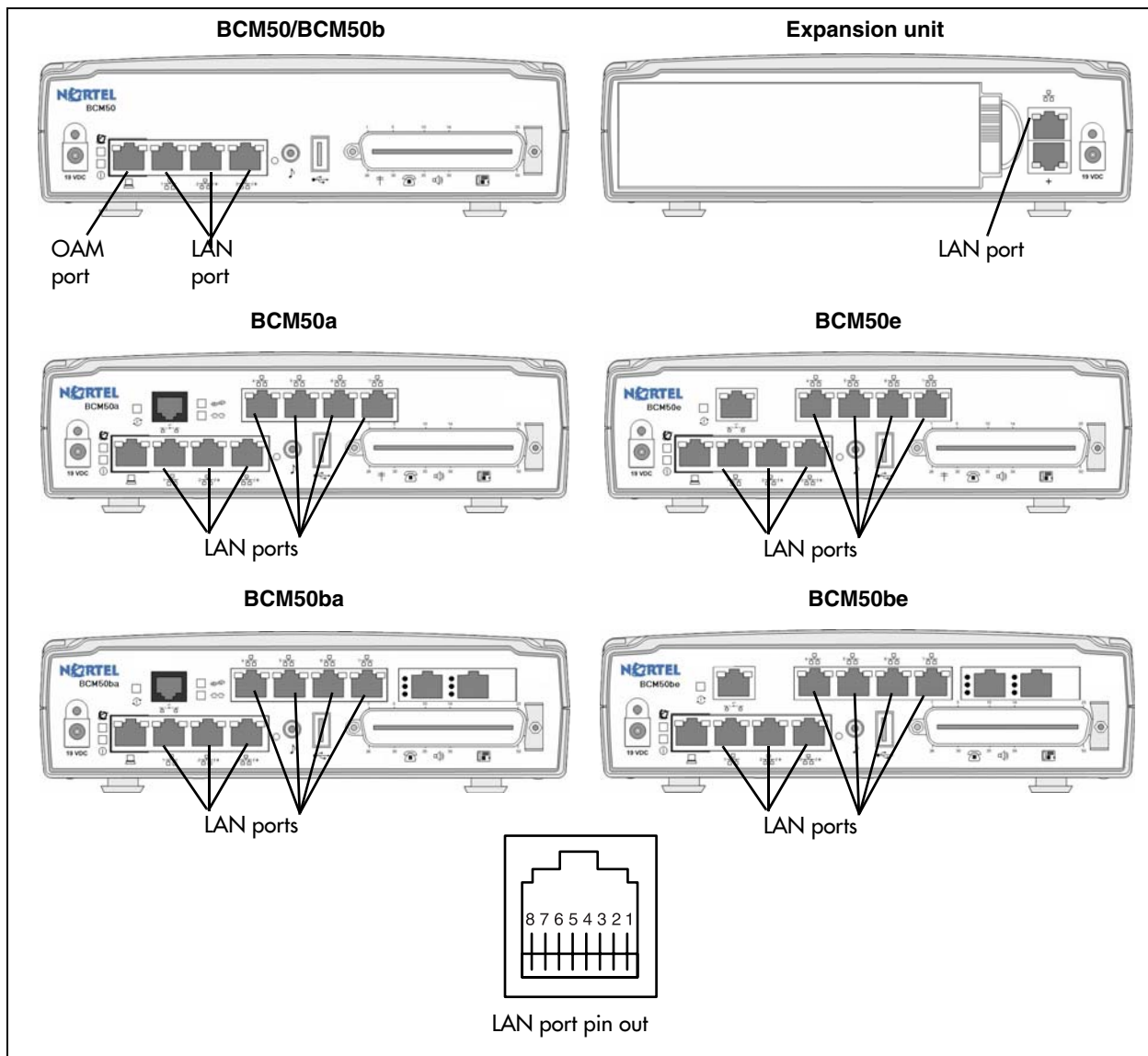
LAN ports wiring chart

All BCM50 units have LAN ports as follows:

- The BCM50 and BCM50b have three LAN ports.
- The BCM50a and BCM50ba have seven LAN ports.
- The BCM50e and BCM50be have seven LAN ports.
- The expansion unit has one LAN port.

The figure [LAN ports on the BCM50 units](#) on page 215 shows the LAN ports on the BCM50 units.

Figure 89 LAN ports on the BCM50 units



The table [LAN port wiring](#) on page 216 lists the wiring details for the LAN ports.

Table 36 LAN port wiring

| Pin | Signal |
|-----|-----------------------|
| 1 | + Receive Data (Rx+) |
| 2 | – Receive Data (Rx–) |
| 3 | + Transmit Data (Tx+) |
| 4 | No connection |
| 5 | No connection |
| 6 | – Transmit Data (Tx–) |
| 7 | No connection |
| 8 | No connection |

Appendix D

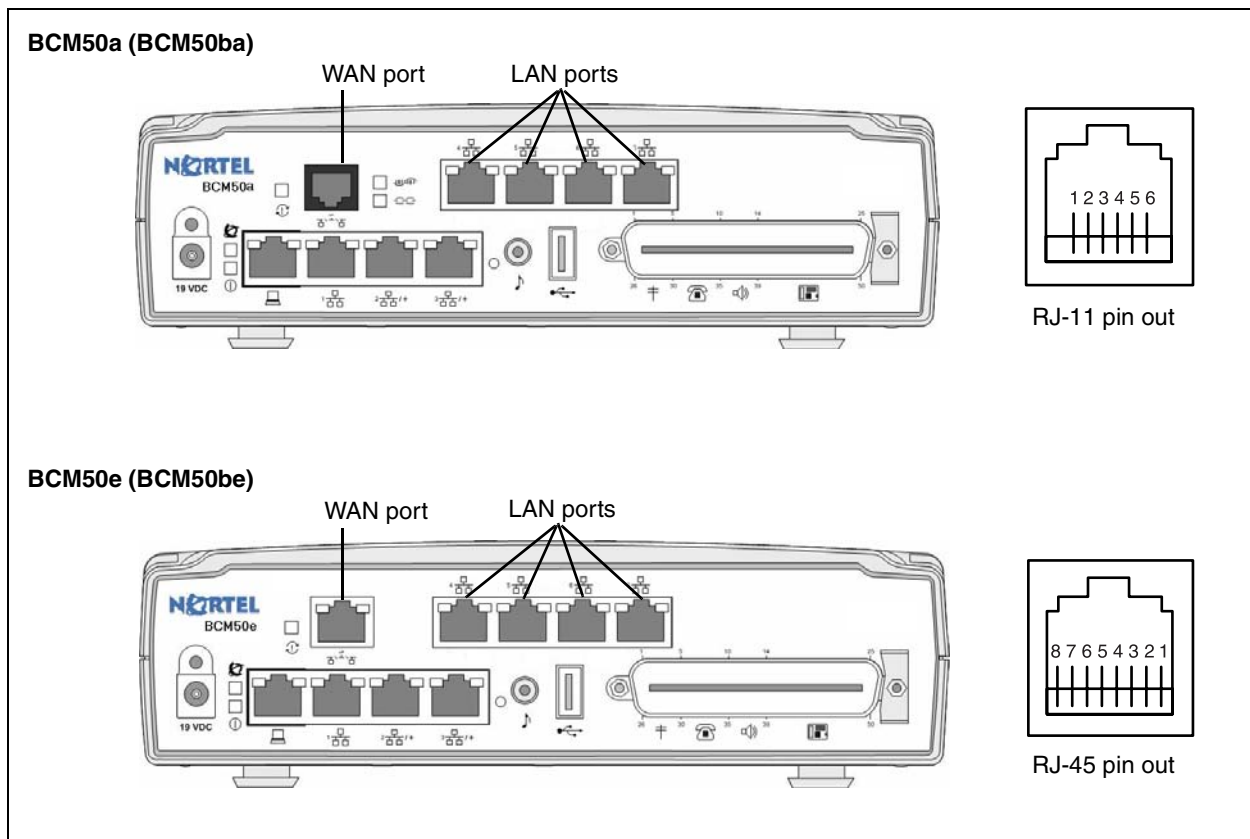
WAN ports wiring chart

Four BCM50 main units, the BCM50a, BCM50ba, BCM50e, and BCM50be, have a Router card.

On a BCM50a and BCM50ba main units, the WAN port is an RJ-11 port. On a BCM50e and BCM50be main units, the WAN port is an RJ-45 port.

The figure [BCM50a,BCM50ba, BCM50e, BCM50be main unit WAN ports](#) on page 217 shows the WAN ports for the BCM50a, BCM50ba, BCM50e, and BCM50be.

Figure 90 BCM50a,BCM50ba, BCM50e, BCM50be main unit WAN ports



The table [RJ-11 WAN port wiring](#) on page 217 and the table [RJ-45 WAN port wiring](#) on page 218 list the wiring details for the WAN ports.

Table 37 RJ-11 WAN port wiring (Sheet 1 of 2)

| Pin | Signal |
|-----|---------------|
| 1 | No connection |
| 2 | No connection |
| 3 | Ring |

Table 37 RJ-11 WAN port wiring (Sheet 2 of 2)

| Pin | Signal |
|-----|---------------|
| 4 | Tip |
| 5 | No connection |
| 6 | No connection |

Table 38 RJ-45 WAN port wiring

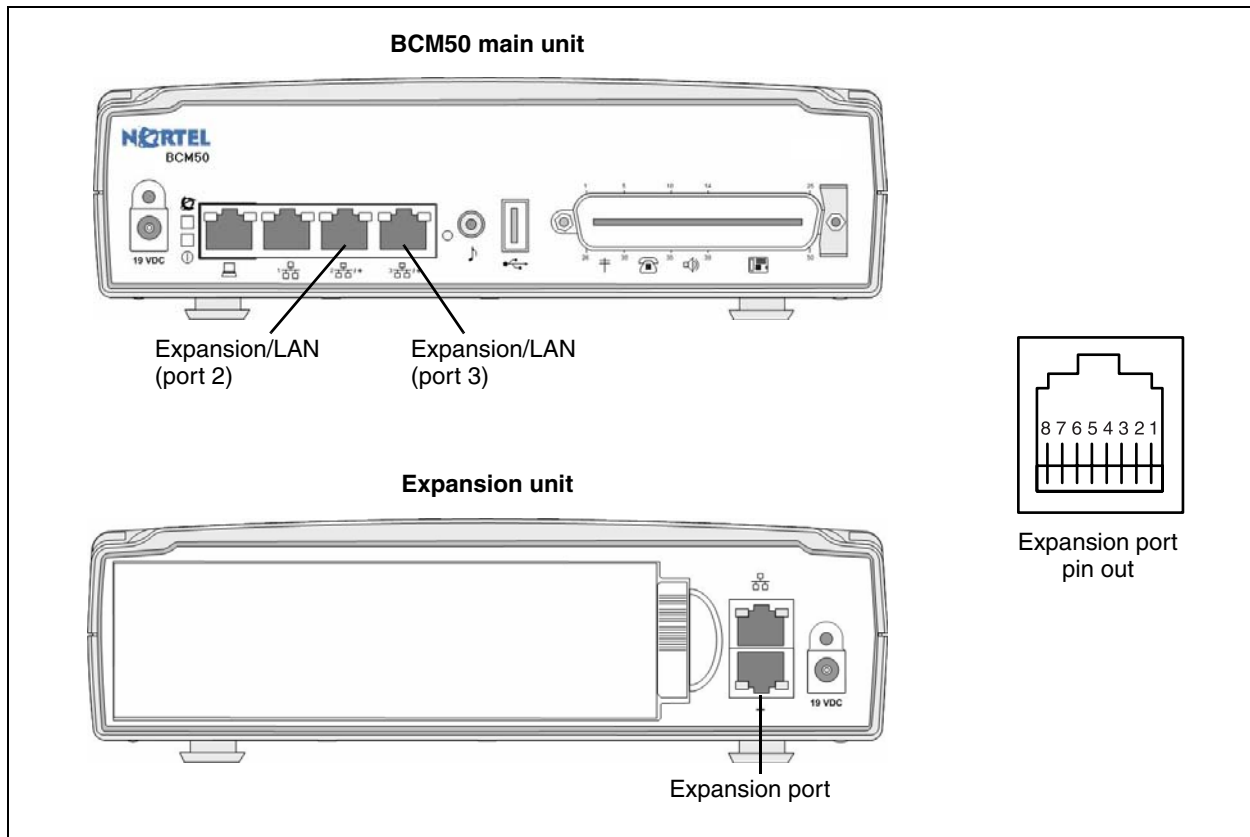
| Pin | Signal |
|-----|-----------------------|
| 1 | + Receive Data (Rx+) |
| 2 | – Receive Data (Rx–) |
| 3 | + Transmit Data (Tx+) |
| 4 | No connection |
| 5 | No connection |
| 6 | – Transmit Data (Tx–) |
| 7 | No connection |
| 8 | No connection |

Appendix E

Expansion ports wiring chart

Two of the four RJ-45 connectors on the BCM50, BCM50a, BCM50e, BCM50b, BCM50ba, and BCM50be main units are designated as expansion ports. See the figure [Expansion ports on a BCM50 and an expansion unit](#) on page 219. These ports connect to an expansion unit or connect network devices to the LAN.

Figure 91 Expansion ports on a BCM50 and an expansion unit



The table [Expansion port wiring](#) on page 219 lists the wiring details for the expansion ports.

Table 39 Expansion port wiring (Sheet 1 of 2)

| Pin | Signal |
|-----|--------------------------|
| 1 | + Ethernet Receive Data |
| 2 | - Ethernet Receive Data |
| 3 | + Ethernet Transmit Data |
| 4 | - FS256 Transmit Data |
| 5 | + FS256 Transmit Data |
| 6 | - Ethernet Transmit Data |

Table 39 Expansion port wiring (Sheet 2 of 2)

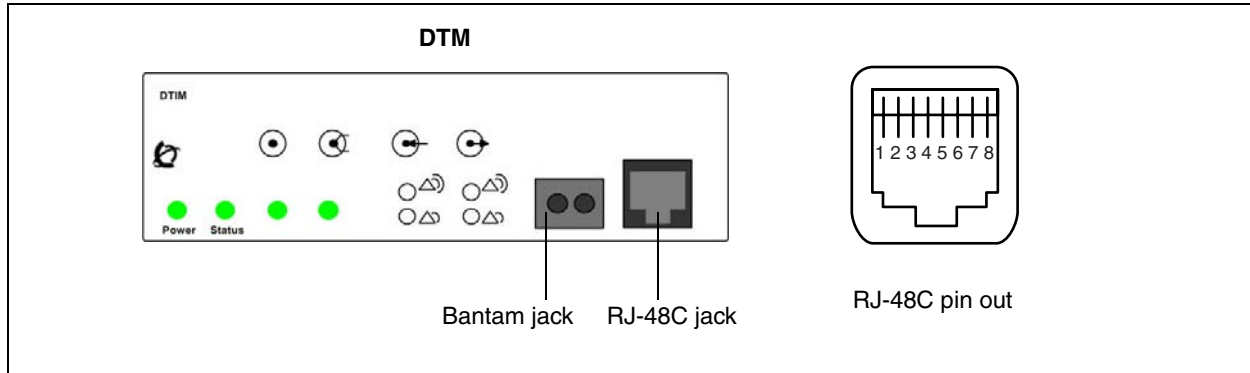
| Pin | Signal |
|-----|----------------------|
| 7 | - FS256 Receive Data |
| 8 | + FS256 Receive Data |

Appendix F

DTM wiring chart

The digital telephone line connects to the Digital Trunk Module (DTM) through the RJ-48c jack on the front of the media bay module (MBM). See the figure [DTM RJ-48C port](#) on page 221.

Figure 92 DTM RJ-48C port



The table [DTM RJ-48c port wiring](#) on page 221 and the table [DTM line numbering](#) on page 221 list the wiring details for the RJ-48C port.

Table 40 DTM RJ-48c port wiring

| Pin | Signal |
|-----|-----------------|
| 1 | Receive Ring |
| 2 | Receive Tip |
| 3 | Receive Shield |
| 4 | Transmit Ring |
| 5 | Transmit Tip |
| 6 | Transmit Shield |
| 7 | No connection |
| 8 | No connection |

Table 41 DTM line numbering

| Line type | Default line numbers on Expansion port 1 | Default line numbers on Expansion port 2 |
|-----------|------------------------------------------|------------------------------------------|
| T1 | 065 – 088 | 095 – 118 |
| PRI | 065 – 087 | 095 – 117 |
| E1 | 065 – 094 | 095 – 124 |

Appendix G

BRIM wiring chart

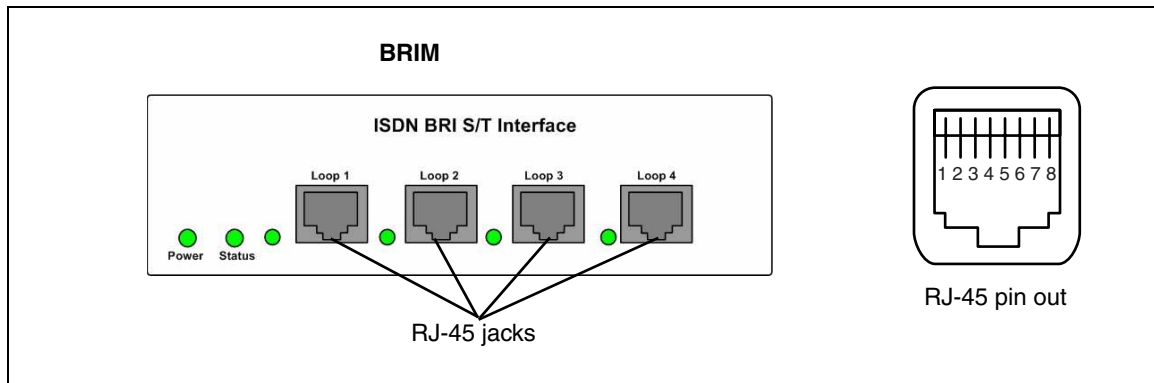
The digital BRI ISDN lines connects to the BRIM through the RJ-45 jacks on the front of the media bay module (MBM). See the figure [BRIM RJ-45 ports](#) on page 223. You can connect up to four BRI ISDN lines to the BRIM.

The figure [BRIM RJ-45 ports](#) on page 223, the table [BRIM RJ-45 port wiring](#) on page 223, and the table [BRIM line numbering](#) on page 224 apply to S-Loop and T-Loop connections. S-Loops connect S-Loop devices such as video phones, terminal adapters, and Grp 3 Fax machines. The T-Loops connect to the CO/PSTN.



Warning: For a U-loop connection, you must connect the BRIM only to an NT1 supplied by the service provider. The NT1 must provide a Telecommunication Network Voltage (TNV) to Safety Extra Low Voltage (SELV) barrier.

Figure 93 BRIM RJ-45 ports



The table [BRIM RJ-45 port wiring](#) on page 223 and the table [BRIM line numbering](#) on page 224 list the wiring details for the RJ-45 ports.

Table 42 BRIM RJ-45 port wiring

| Pin | Signal | Signal on system side |
|-----|------------------|-----------------------|
| 1 | No connection | No connection |
| 2 | No connection | No connection |
| 3 | + Receive (+Rx) | +Tx |
| 4 | + Transmit (+Tx) | +Rx |
| 5 | - Transmit (-Tx) | - Rx |
| 6 | - Receive (-Rx) | - Tx |
| 7 | No connection | No connection |
| 8 | No connection | No connection |

Table 43 BRIM line numbering

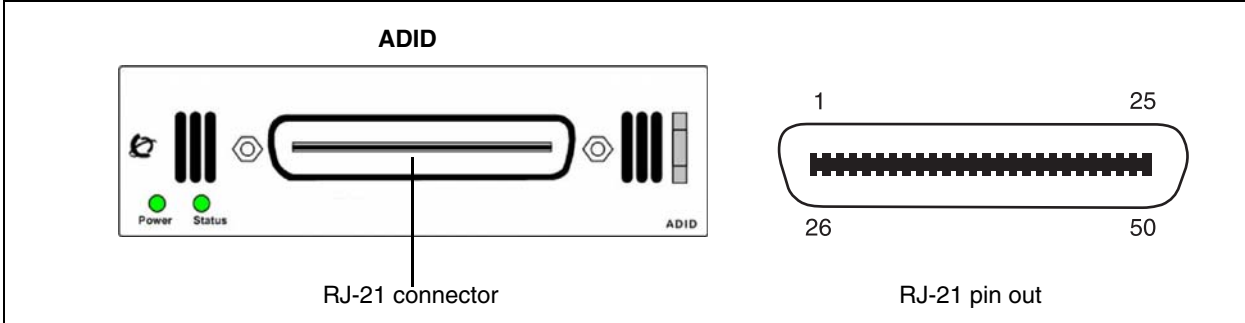
| Port number | Default line numbers on Expansion port 1 | Default line numbers on Expansion port 2 |
|--------------------|-----------------------------------------------------|-----------------------------------------------------|
| 1 | 065–066 | 095–096 |
| 2 | 067–068 | 097–098 |
| 3 | 069–070 | 099–100 |
| 4 | 071–072 | 101– 02 |

Appendix H

ADID wiring chart

Analog telephone lines connect to the ADID4 or ADID8 through the RJ-21 connector on the front of the media bay module (MBM). See the figure [ADID RJ-21 connector](#) on page 225.

Figure 94 ADID RJ-21 connector



The table [ADID4 and ADID8 RJ-21 connector wiring](#) on page 225 lists the wiring details for the RJ-21 connector on the ADID4 and ADID8. Use the first four lines for the ADID4 and use all eight lines for the ADID8.

Table 44 ADID4 and ADID8 RJ-21 connector wiring

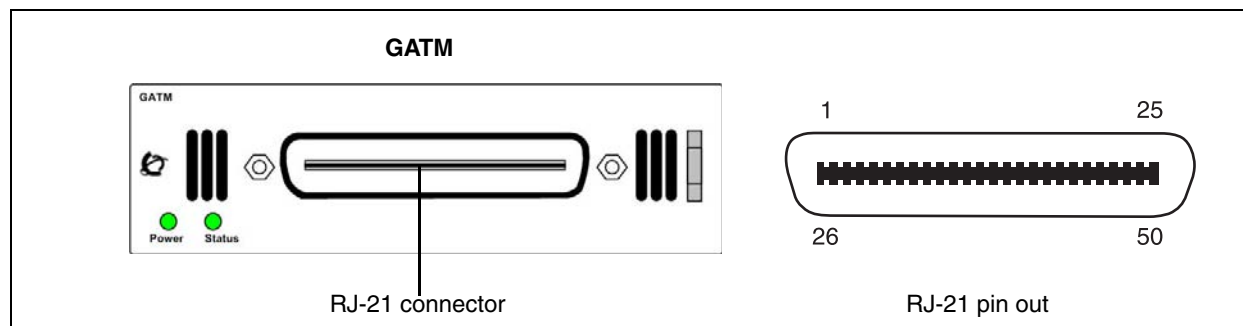
| Line | Pin | Connection | Default line numbers on Expansion port 1 | Default line numbers on Expansion port 2 |
|------|-----|------------|------------------------------------------|------------------------------------------|
| 1 | 26 | Tip | 065 | 095 |
| | 1 | Ring | | |
| 2 | 27 | Tip | 066 | 096 |
| | 2 | Ring | | |
| 3 | 28 | Tip | 067 | 097 |
| | 3 | Ring | | |
| 4 | 29 | Tip | 068 | 098 |
| | 4 | Ring | | |
| 5 | 30 | Tip | 073 | 103 |
| | 5 | Ring | | |
| 6 | 31 | Tip | 074 | 104 |
| | 6 | Ring | | |
| 7 | 32 | Tip | 075 | 105 |
| | 7 | Ring | | |
| 8 | 33 | Tip | 076 | 106 |
| | 8 | Ring | | |

Appendix I

GATM wiring chart

Analog telephone lines connect to the GATM4 or GATM8 through the RJ-21 connector on the front of the media bay module (MBM). See the figure [GATM RJ-21 connector](#) on page 227.

Figure 95 GATM RJ-21 connector



The table [GATM4 RJ-21 connector wiring](#) on page 227 lists the wiring details for the RJ-21 connector on the GATM4.

Table 45 GATM4 RJ-21 connector wiring (Sheet 1 of 2)

| Line | Pin | Connection | Wire color | Default line numbers on Expansion port 1 | Default line numbers on Expansion port 2 |
|------|-----|---------------|--------------|------------------------------------------|------------------------------------------|
| 1 | 26 | Tip | White-Blue | 065 | 095 |
| | 1 | Ring | Blue-White | | |
| 2 | 27 | Tip | White-Orange | 066 | 096 |
| | 2 | Ring | Orange-White | | |
| — | 28 | No connection | White-Green | — | — |
| | 3 | No connection | Green-White | | |
| — | 29 | No connection | White-Brown | — | — |
| | 4 | No connection | Brown-White | | |
| 3 | 30 | Tip | White-Slate | 067 | 097 |
| | 5 | Ring | Slate-White | | |
| 4 | 31 | Tip | Red-Blue | 068 | 098 |
| | 6 | Ring | Blue-Red | | |
| — | 32 | No connection | Red-Orange | — | — |
| | 7 | No connection | Orange-Red | | |
| . | . | . | . | . | . |
| . | . | . | . | . | . |
| . | . | . | . | . | . |

Table 45 GATM4 RJ-21 connector wiring (Sheet 2 of 2)

| Line | Pin | Connection | Wire color | Default line numbers on Expansion port 1 | Default line numbers on Expansion port 2 |
|------|-----|---------------|--------------|------------------------------------------|------------------------------------------|
| — | 49 | No connection | Violet-Brown | — | — |
| | 24 | No connection | Brown-Violet | | |
| Aux | 50 | Tip | Violet-Slate | — | — |
| | 25 | Ring | Slate-Violet | | |

Note: The AUX port supports full data speeds. When the line is in use by an analog device, the icon is lit on the phone to indicate it is in use. If you try to seize the line using the phone, the display shows “in use”. Also, if a power failure occurs, an analog set on line 1 activates (powered by the CO).

The table [GATM8 RJ-21 connector wiring](#) on page 228 lists the wiring details for the RJ-21 connector on the GATM8.

Table 46 GATM8 RJ-21 connector wiring (Sheet 1 of 2)

| Line | Pin | Connection | Wire color | Default line numbers on Expansion port 1 | Default line numbers on Expansion port 2 |
|------|-----|---------------|--------------|------------------------------------------|------------------------------------------|
| 1 | 26 | Tip | White-Blue | 065 | 095 |
| | 1 | Ring | Blue-White | | |
| 2 | 27 | Tip | White-Orange | 066 | 096 |
| | 2 | Ring | Orange-White | | |
| — | 28 | No connection | White-Green | — | — |
| | 3 | No connection | Green-White | | |
| — | 29 | No connection | White-Brown | — | — |
| | 4 | No connection | Brown-White | | |
| 3 | 30 | Tip | White-Slate | 067 | 097 |
| | 5 | Ring | Slate-White | | |
| 4 | 31 | Tip | Red-Blue | 068 | 098 |
| | 6 | Ring | Blue-Red | | |
| — | 32 | No connection | Red-Orange | — | — |
| | 7 | No connection | Orange-Red | | |
| — | 33 | No connection | Red-Green | — | — |
| | 8 | No connection | Green-Red | | |
| 5 | 34 | Tip | Red-Brown | 073 | 103 |
| | 9 | Ring | Brown-Red | | |
| 6 | 35 | Tip | Red-Slate | 074 | 104 |
| | 10 | Ring | Slate-Red | | |
| — | 36 | No connection | Black-Blue | — | — |
| | 11 | No connection | Blue-Black | | |
| — | 37 | No connection | Black-Orange | — | — |
| | 12 | No connection | Orange-Black | | |

Table 46 GATM8 RJ-21 connector wiring (Sheet 2 of 2)

| Line | Pin | Connection | Wire color | Default line numbers on Expansion port 1 | Default line numbers on Expansion port 2 |
|----------------------|-----|---------------|--------------|------------------------------------------|------------------------------------------|
| 7 | 38 | Tip | Black-Green | 075 | 105 |
| | 13 | Ring | Green-Black | | |
| 8 | 39 | Tip | Black-Brown | 076 | 106 |
| | 14 | Ring | Brown-Black | | |
| — | 40 | No connection | Black-Slate | — | — |
| | 15 | No connection | Slate-Black | | |
| . | . | . | . | . | . |
| . | . | . | . | . | . |
| . | . | . | . | . | . |
| — | 49 | No connection | Violet-Brown | — | — |
| | 24 | No connection | Brown-Violet | | |
| Aux (see Note) | 50 | Tip | Violet-Slate | — | — |
| | 25 | Ring | Slate-Violet | | |

Note: The AUX port supports full data speeds. When the line is in use by an analog device, the icon is lit on the phone to indicate it is in use. If you try to seize the line using the phone, the display shows “in use”. Also, if a power failure occurs, an analog set on line 1 activates (powered by the CO).

Appendix J

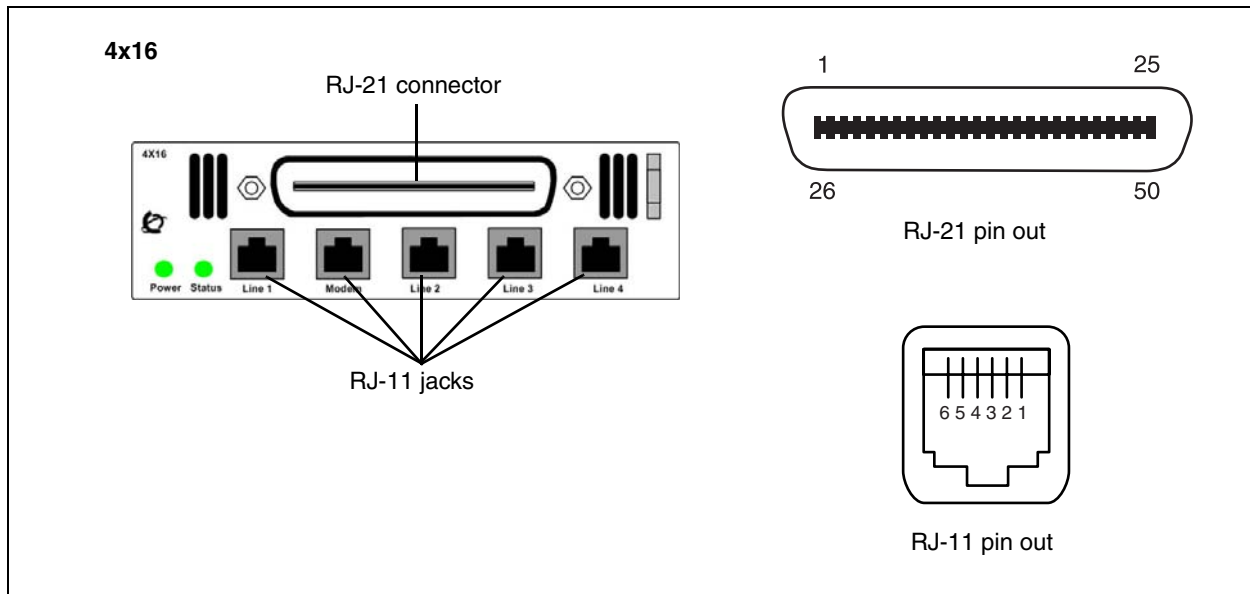
4x16 wiring charts

You can connect up to 4 analog telephone lines and up to 16 digital telephones to the 4x16 media bay module (MBM).

The analog telephones lines connect to the 4x16 through the RJ-11 jacks (labeled 1 to 4) on the front of the MBM. Do not connect analog telephone lines to the auxiliary jack on the front of the media bay module. These jacks are intended for analog telephones designated as emergency telephones. See the figure [4x16 connectors](#) on page 231.

The digital telephones, such as the Business Series Telephones, connect to the RJ-21 connector on the front of the 4x16.

Figure 96 4x16 connectors



The table [4x16 RJ-11 port wiring](#) on page 231 and the table [4x16 default line numbering](#) on page 232 list the wiring details for the RJ-11 jacks on the 4x16. This wiring applies to the numbered ports and the Aux ports.

Table 47 4x16 RJ-11 port wiring (Sheet 1 of 2)

| Pin | Signal |
|-----|---------------|
| 1 | No connection |
| 2 | No connection |
| 3 | Ring |
| 4 | Tip |

Table 47 4x16 RJ-11 port wiring (Sheet 2 of 2)

| Pin | Signal |
|-----|---------------|
| 5 | No connection |
| 6 | No connection |

Table 48 4x16 default line numbering

| Port number | Default line number on Expansion port 1 | Default line number on Expansion port 2 |
|-------------|-----------------------------------------|-----------------------------------------|
| 1 | 065 | 095 |
| 2 | 066 | 096 |
| 3 | 067 | 097 |
| 4 | 068 | 098 |

The table [4x16 RJ-21 connector wiring](#) on page 232 lists the wiring details for the RJ-21 connector on the 4x16.

Table 49 4x16 RJ-21 connector wiring (Sheet 1 of 2)

| Set | Pin | Connection | Wire color | Default DN on Expansion port 1 | Default DN on Expansion port 2 |
|-----|-----|------------|--------------|--------------------------------|--------------------------------|
| 1 | 26 | Tip | White-Blue | 253 | 285 |
| | 1 | Ring | Blue-White | | |
| 2 | 27 | Tip | White-Orange | 254 | 286 |
| | 2 | Ring | Orange-White | | |
| 3 | 28 | Tip | White-Green | 255 | 287 |
| | 3 | Ring | Green-White | | |
| 4 | 29 | Tip | White-Brown | 256 | 288 |
| | 4 | Ring | Brown-White | | |
| 5 | 30 | Tip | White-Slate | 257 | 289 |
| | 5 | Ring | Slate-White | | |
| 6 | 31 | Tip | Red-Blue | 258 | 290 |
| | 6 | Ring | Blue-Red | | |
| 7 | 32 | Tip | Red-Orange | 259 | 291 |
| | 7 | Ring | Orange-Red | | |
| 8 | 33 | Tip | Red-Green | 260 | 292 |
| | 8 | Ring | Green-Red | | |
| 9 | 34 | Tip | Red-Brown | 261 | 293 |
| | 9 | Ring | Brown-Red | | |

Table 49 4x16 RJ-21 connector wiring (Sheet 2 of 2)

| Set | Pin | Connection | Wire color | Default DN on Expansion port 1 | Default DN on Expansion port 2 |
|-----|-----|---------------|---------------|--------------------------------|--------------------------------|
| 10 | 35 | Tip | Red-Slate | 262 | 294 |
| | 10 | Ring | Slate-Red | | |
| 11 | 36 | Tip | Black-Blue | 263 | 295 |
| | 11 | Ring | Blue-Black | | |
| 12 | 37 | Tip | Black-Orange | 264 | 296 |
| | 12 | Ring | Orange-Black | | |
| 13 | 38 | Tip | Black-Green | 265 | 297 |
| | 13 | Ring | Green-Black | | |
| 14 | 39 | Tip | Black-Brown | 266 | 298 |
| | 14 | Ring | Brown-Black | | |
| 15 | 40 | Tip | Black-Slate | 267 | 299 |
| | 15 | Ring | Slate-Black | | |
| 16 | 41 | Tip | Yellow-Blue | 268 | 300 |
| | 16 | Ring | Blue-Yellow | | |
| — | 42 | No connection | Yellow-Orange | — | — |
| | 17 | No connection | Orange-Yellow | | |
| . | . | . | . | . | . |
| . | . | . | . | . | . |
| . | . | . | . | . | . |
| — | 50 | No connection | Violet-Slate | — | — |
| | 25 | No connection | Slate-Violet | | |

Appendix K

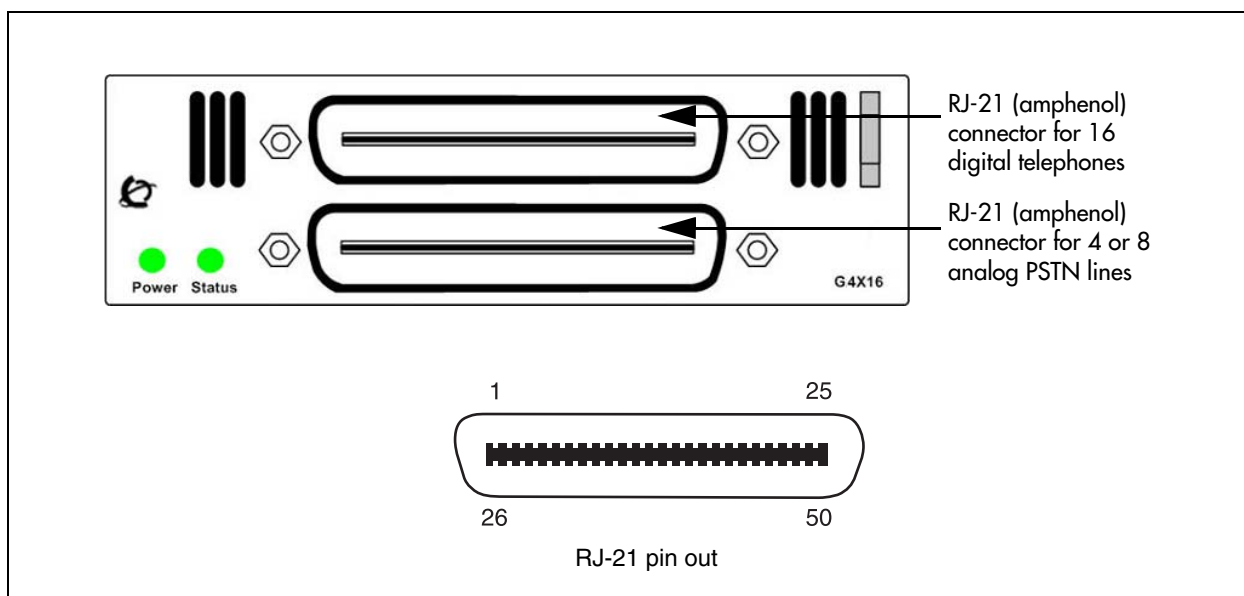
G4x16 and G8x16 wiring charts

You can connect 4 or 8 analog telephone lines and up to 16 digital telephones to the G4x16 or G8x16 media bay module (MBM).

The analog telephones lines connect to the G4x16 or G8x16 through the lower RJ-21 (amphenol) connector on the front of the MBM. See the figure [G4x16/G8x16 connectors](#) on page 235.

The digital telephones, such as the Business Series Telephones, connect to the upper RJ-21 (amphenol) connector on the front of the G4x16 or G8x16 MBM.

Figure 97 G4x16/G8x16 connectors



The table [G4x16/G8x16 MBM upper RJ-21 \(amphenol\) connector wiring for digital telephones](#) on page 235 lists the wiring details for the upper RJ-21 (amphenol) connector, and the table [G4x16 and G8x16 lower RJ-21 \(amphenol\) connector wiring for analog PSTN lines](#) on page 237 lists the wiring details for the lower RJ-21 (amphenol) connector on the G4x16 and G8x16 MBMs.

Table 50 G4x16/G8x16 MBM upper RJ-21 (amphenol) connector wiring for digital telephones (Sheet 1 of 2)

| Set | Pin | Connection | Wire color | Default DN on Expansion port 1 | Default DN on Expansion port 2 |
|-----|-----|------------|--------------|--------------------------------|--------------------------------|
| 1 | 26 | Tip | White-Blue | 253 | 285 |
| | 1 | Ring | Blue-White | | |
| 2 | 27 | Tip | White-Orange | 254 | 286 |
| | 2 | Ring | Orange-White | | |

Table 50 G4x16/G8x16 MBM upper RJ-21 (amphenol) connector wiring for digital telephones
(Sheet 2 of 2)

| Set | Pin | Connection | Wire color | Default DN on Expansion port 1 | Default DN on Expansion port 2 |
|-----|-----|---------------|---------------|--------------------------------|--------------------------------|
| 3 | 28 | Tip | White-Green | 255 | 287 |
| | 3 | Ring | Green-White | | |
| 4 | 29 | Tip | White-Brown | 256 | 288 |
| | 4 | Ring | Brown-White | | |
| 5 | 30 | Tip | White-Slate | 257 | 289 |
| | 5 | Ring | Slate-White | | |
| 6 | 31 | Tip | Red-Blue | 258 | 290 |
| | 6 | Ring | Blue-Red | | |
| 7 | 32 | Tip | Red-Orange | 259 | 291 |
| | 7 | Ring | Orange-Red | | |
| 8 | 33 | Tip | Red-Green | 260 | 292 |
| | 8 | Ring | Green-Red | | |
| 9 | 34 | Tip | Red-Brown | 261 | 293 |
| | 9 | Ring | Brown-Red | | |
| 10 | 35 | Tip | Red-Slate | 262 | 294 |
| | 10 | Ring | Slate-Red | | |
| 11 | 36 | Tip | Black-Blue | 263 | 295 |
| | 11 | Ring | Blue-Black | | |
| 12 | 37 | Tip | Black-Orange | 264 | 296 |
| | 12 | Ring | Orange-Black | | |
| 13 | 38 | Tip | Black-Green | 265 | 297 |
| | 13 | Ring | Green-Black | | |
| 14 | 39 | Tip | Black-Brown | 266 | 298 |
| | 14 | Ring | Brown-Black | | |
| 15 | 40 | Tip | Black-Slate | 267 | 299 |
| | 15 | Ring | Slate-Black | | |
| 16 | 41 | Tip | Yellow-Blue | 268 | 300 |
| | 16 | Ring | Blue-Yellow | | |
| — | 42 | No connection | Yellow-Orange | — | — |
| | 17 | No connection | Orange-Yellow | | |
| ⋮ | ⋮ | ⋮ | ⋮ | ⋮ | ⋮ |
| — | 50 | No connection | Violet-Slate | — | — |
| | 25 | No connection | Slate-Violet | | |

Table 51 G4x16 and G8x16 lower RJ-21 (amphenol) connector wiring for analog PSTN lines
(Sheet 1 of 2)

| Line | Pin | Connection | Wire color | Default line numbers on Expansion port 1 | Default line numbers on Expansion port 2 |
|-----------------------------------------------------------------------------------------|-----|---------------|--------------|------------------------------------------|------------------------------------------|
| 1 | 26 | Tip | White-Blue | 065 | 095 |
| | 1 | Ring | Blue-White | | |
| 2 | 27 | Tip | White-Orange | 066 | 096 |
| | 2 | Ring | Orange-White | | |
| — | 28 | No connection | White-Green | — | — |
| | 3 | No connection | Green-White | | |
| — | 29 | No connection | White-Brown | — | — |
| | 4 | No connection | Brown-White | | |
| 3 | 30 | Tip | White-Slate | 067 | 097 |
| | 5 | Ring | Slate-White | | |
| 4 | 31 | Tip | Red-Blue | 068 | 098 |
| | 6 | Ring | Blue-Red | | |
| — | 32 | No connection | Red-Orange | — | — |
| | 7 | No connection | Orange-Red | | |
| The following part of the wiring chart applies only to the G8x16 MBM. | | | | | |
| — | 33 | No connection | Red-Green | — | — |
| | 8 | No connection | Green-Red | | |
| 5 | 34 | Tip | Red-Brown | 073 | 103 |
| | 9 | Ring | Brown-Red | | |
| 6 | 35 | Tip | Red-Slate | 074 | 104 |
| | 10 | Ring | Slate-Red | | |
| — | 36 | No connection | Black-Blue | — | — |
| | 11 | No connection | Blue-Black | | |
| — | 37 | No connection | Black-Orange | — | — |
| | 12 | No connection | Orange-Black | | |
| 7 | 38 | Tip | Black-Green | 075 | 105 |
| | 13 | Ring | Green-Black | | |
| 8 | 39 | Tip | Black-Brown | 076 | 106 |
| | 14 | Ring | Brown-Black | | |
| — | 40 | No connection | Black-Slate | — | — |
| | 15 | No connection | Slate-Black | | |
| The following part of the wiring chart applies to both the G4x16 and G8x16 MBMs. | | | | | |
| . | . | . | . | . | . |
| . | . | . | . | . | . |
| . | . | . | . | . | . |
| — | 49 | No connection | Violet-Brown | — | — |
| | 24 | No connection | Brown-Violet | | |

Table 51 G4x16 and G8x16 lower RJ-21 (amphenol) connector wiring for analog PSTN lines
(Sheet 2 of 2)

| Line | Pin | Connection | Wire color | Default line numbers on Expansion port 1 | Default line numbers on Expansion port 2 |
|-------------------|-----|------------|--------------|------------------------------------------|------------------------------------------|
| Aux (see Note) | 50 | Tip | Violet-Slate | — | — |
| | 25 | Ring | Slate-Violet | | |

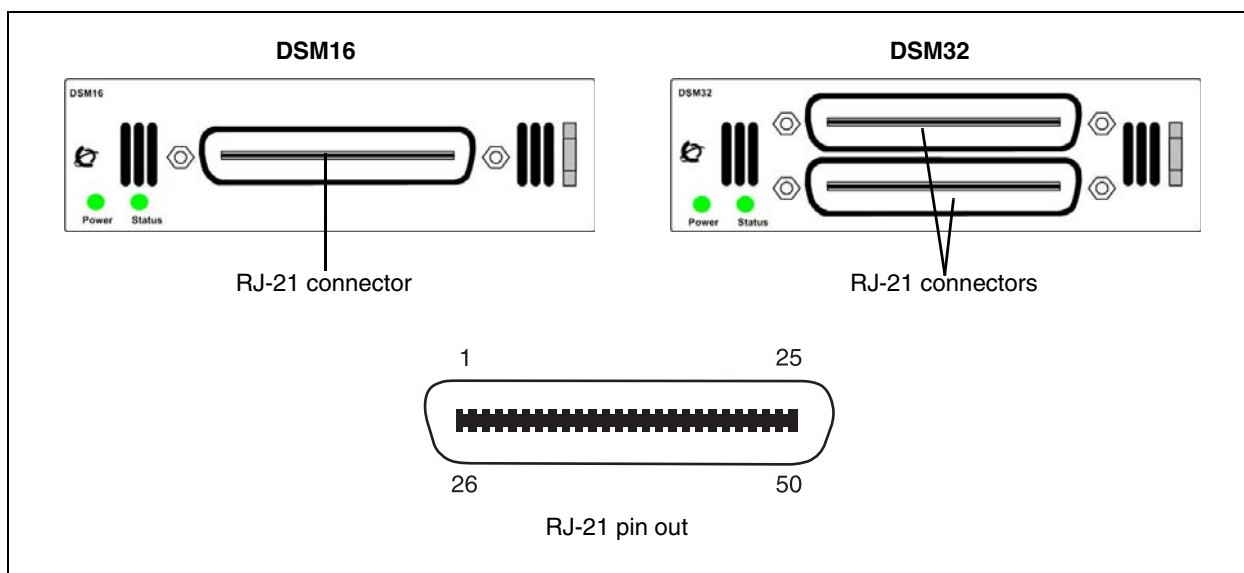
Note: The Aux port supports full data speeds. When the line is in use by an analog device, the icon is lit on the phone. If you try to seize the line using the phone, the display shows “in use.” Also, if a power failure occurs, an analog set on line 1 activates (powered by the CO).

Appendix L

DSM16 and DSM32 wiring charts

Digital telephones, such as the Business Series Telephones, connect to the Digital Station Module (DSM16 or DSM32) through the RJ-21 connectors on the front of the media bay module. The DSM16 has a single RJ-21 connector and the DSM32 has two RJ-21 connectors. See the figure [DSM16 and DSM32 RJ-21 connectors](#) on page 239.

Figure 98 DSM16 and DSM32 RJ-21 connectors



The table [DSM16 and DSM32 RJ-21 connector wiring](#) on page 239 lists the wiring details for the RJ-21 connectors on the DSM16 and DSM32.

Table 52 DSM16 and DSM32 RJ-21 connector wiring (Sheet 1 of 3)

| Set | Pin | Connection | Wire color | Default DN on Expansion port 1 | | | | Default DN on Expansion port 2 | | | |
|-----|-----|------------|--------------|--------------------------------|------|-------------------|------|--------------------------------|------|-------------------|------|
| | | | | DSM16 or Lower DSM32 RJ-21 | Port | Upper DSM32 RJ-21 | Port | DSM16 or Lower DSM32 RJ-21 | Port | Upper DSM32 RJ-21 | Port |
| 1 | 26 | Tip | White-Blue | 237 | 501 | 253 | 601 | 269 | 701 | 285 | 801 |
| | 1 | Ring | Blue-White | | | | | | | | |
| 2 | 27 | Tip | White-Orange | 238 | 502 | 254 | 602 | 270 | 702 | 286 | 802 |
| | 2 | Ring | Orange-White | | | | | | | | |
| 3 | 28 | Tip | White-Green | 239 | 503 | 255 | 603 | 271 | 703 | 287 | 803 |
| | 3 | Ring | Green-White | | | | | | | | |

Table 52 DSM16 and DSM32 RJ-21 connector wiring (Sheet 2 of 3)

| Set | Pin | Connection | Wire color | Default DN on Expansion port 1 | | | | Default DN on Expansion port 2 | | | |
|-----|-----|---------------|---------------|--------------------------------|------|-------------------|------|--------------------------------|------|-------------------|------|
| | | | | DSM16 or Lower DSM32 RJ-21 | Port | Upper DSM32 RJ-21 | Port | DSM16 or Lower DSM32 RJ-21 | Port | Upper DSM32 RJ-21 | Port |
| 4 | 29 | Tip | White-Brown | 240 | 504 | 256 | 604 | 272 | 704 | 288 | 804 |
| | 4 | Ring | Brown-White | | | | | | | | |
| 5 | 30 | Tip | White-Slate | 241 | 505 | 257 | 605 | 273 | 705 | 289 | 805 |
| | 5 | Ring | Slate-White | | | | | | | | |
| 6 | 31 | Tip | Red-Blue | 242 | 506 | 258 | 606 | 274 | 706 | 290 | 806 |
| | 6 | Ring | Blue-Red | | | | | | | | |
| 7 | 32 | Tip | Red-Orange | 243 | 507 | 259 | 607 | 275 | 707 | 291 | 807 |
| | 7 | Ring | Orange-Red | | | | | | | | |
| 8 | 33 | Tip | Red-Green | 244 | 508 | 260 | 608 | 276 | 708 | 292 | 808 |
| | 8 | Ring | Green-Red | | | | | | | | |
| 9 | 34 | Tip | Red-Brown | 245 | 509 | 261 | 609 | 277 | 709 | 293 | 809 |
| | 9 | Ring | Brown-Red | | | | | | | | |
| 10 | 35 | Tip | Red-Slate | 246 | 510 | 262 | 610 | 278 | 710 | 294 | 810 |
| | 10 | Ring | Slate-Red | | | | | | | | |
| 11 | 36 | Tip | Black-Blue | 247 | 511 | 263 | 611 | 279 | 711 | 295 | 811 |
| | 11 | Ring | Blue-Black | | | | | | | | |
| 12 | 37 | Tip | Black-Orange | 248 | 512 | 264 | 612 | 280 | 712 | 296 | 812 |
| | 12 | Ring | Orange-Black | | | | | | | | |
| 13 | 38 | Tip | Black-Green | 249 | 513 | 265 | 613 | 281 | 713 | 297 | 813 |
| | 13 | Ring | Green-Black | | | | | | | | |
| 14 | 39 | Tip | Black-Brown | 250 | 514 | 266 | 614 | 282 | 714 | 298 | 814 |
| | 14 | Ring | Brown-Black | | | | | | | | |
| 15 | 40 | Tip | Black-Slate | 251 | 515 | 267 | 615 | 283 | 715 | 299 | 815 |
| | 15 | Ring | Slate-Black | | | | | | | | |
| 16 | 41 | Tip | Yellow-Blue | 252 | 516 | 268 | 616 | 284 | 716 | 300 | 816 |
| | 16 | Ring | Blue-Yellow | | | | | | | | |
| — | 42 | No connection | Yellow-Orange | — | — | — | — | — | — | — | — |
| | 17 | No connection | Orange-Yellow | | | | | | | | |
| . | . | . | . | . | . | . | . | . | . | . | . |
| . | . | . | . | . | . | . | . | . | . | . | . |
| . | . | . | . | . | . | . | . | . | . | . | . |

Table 52 DSM16 and DSM32 RJ-21 connector wiring (Sheet 3 of 3)

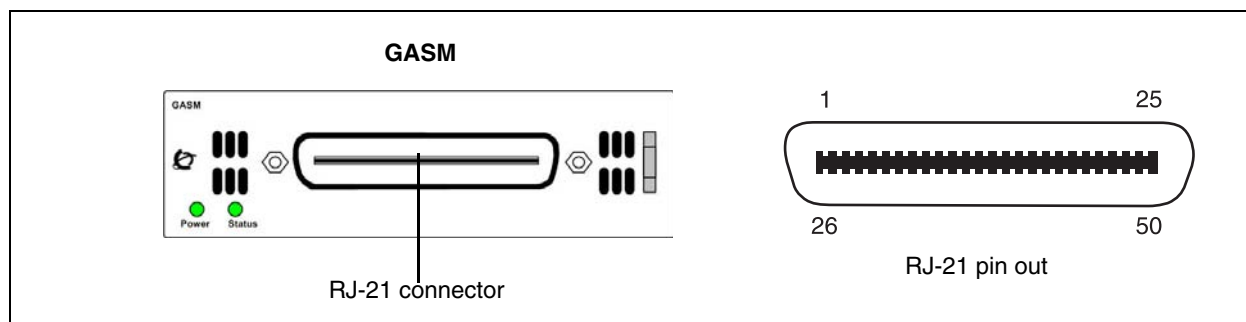
| Set | Pin | Connection | Wire color | Default DN on Expansion port 1 | | | | Default DN on Expansion port 2 | | | |
|-----|-----|---------------|--------------|--------------------------------|------|-------------------|------|--------------------------------|------|-------------------|------|
| | | | | DSM16 or Lower DSM32 RJ-21 | Port | Upper DSM32 RJ-21 | Port | DSM16 or Lower DSM32 RJ-21 | Port | Upper DSM32 RJ-21 | Port |
| — | 50 | No connection | Violet-Slate | — | | — | | — | | — | |
| | 25 | No connection | Slate-Violet | | | | | | | | |

Appendix M

ASM8, ASM8+, and GASM wiring chart

Analog telephony devices, such as single line telephones, modems and Fax machines, connect to the Analog Station Module (ASM) through the RJ-21 connector on the front of the media bay module. See the figure [ASM RJ-21 connector](#) on page 243.

Figure 99 ASM RJ-21 connector



The table [ASM RJ-21 connector wiring](#) on page 243 lists the wiring details for the RJ-21 connector on the ASM.

Table 53 ASM RJ-21 connector wiring (Sheet 1 of 2)

| Set | Pin | Connection | Wire color | Default DN on Expansion port 1 | Default DN on Expansion port 2 |
|-----|-----|------------|--------------|--------------------------------|--------------------------------|
| 1 | 26 | Tip | White-Blue | 237 | 269 |
| | 1 | Ring | Blue-White | | |
| 2 | 27 | Tip | White-Orange | 238 | 270 |
| | 2 | Ring | Orange-White | | |
| 3 | 28 | Tip | White-Green | 239 | 271 |
| | 3 | Ring | Green-White | | |
| 4 | 29 | Tip | White-Brown | 240 | 272 |
| | 4 | Ring | Brown-White | | |
| 5 | 30 | Tip | White-Slate | 241 | 273 |
| | 5 | Ring | Slate-White | | |
| 6 | 31 | Tip | Red-Blue | 242 | 274 |
| | 6 | Ring | Blue-Red | | |
| 7 | 32 | Tip | Red-Orange | 243 | 275 |
| | 7 | Ring | Orange-Red | | |
| 8 | 33 | Tip | Red-Green | 244 | 276 |
| | 8 | Ring | Green-Red | | |

Table 53 ASM RJ-21 connector wiring (Sheet 2 of 2)

| Set | Pin | Connection | Wire color | Default DN on Expansion port 1 | Default DN on Expansion port 2 |
|-----|-----|---------------|--------------|--------------------------------|--------------------------------|
| — | 34 | No connection | Red-Brown | — | — |
| | 9 | No connection | Brown-Red | | |
| . | . | . | . | . | . |
| . | . | . | . | . | . |
| . | . | . | . | . | . |
| — | 50 | No connection | Violet-Slate | — | — |
| | 25 | No connection | Slate-Violet | | |

Appendix N

Market profile attributes

This section describes some of the differences in the market profile attributes. These attributes are derived from the market profile selected when you configure the system. Each market profile uses a set of system attributes that provide specific functionality for the geographical area in which you deploy the system.

This section covers the following main topics:

- [Interface availability](#) on page 245
- [Tones and cadences](#) on page 247
- [Core parameters for market profiles](#) on page 255
- [Analog Trunk parameters](#) on page 270
- [GASM8 parameters](#) on page 276
- [GASI parameters](#) on page 279
- [ATA2 parameters](#) on page 281
- [Voicemail](#) on page 284
- [ISDN line services](#) on page 287
- [Analog and digital trunk types](#) on page 287

Interface availability

Some of the BCM50 interfaces are customized for a specific region and are not available to all market profiles. Refer to the following tables for a list of interfaces available within each market profile:

- [Analog interface availability by market profile](#) on page 246
- [Digital interface availability by market profile](#) on page 246

Analog interfaces

Analog interfaces are not supported in the following market profiles: Denmark, France, Germany, Holland, Italy, Norway, Spain, Sweden, and Switzerland.

The symbols in the table [Analog interface availability by market profile](#) on page 246 are defined as follows:

- ✓ indicates full support. The interface is available and is localized in the market profile.
- ★ indicates that functionality and support is limited. The interface is available in the market profile, but is not localized.

Table 54 Analog interface availability by market profile

| Market profile | ASM/ ASM8 | ASM8+ | GASM8 | GASI | CTM4/ CTM8 | Legacy GATM4/ GATM8 | New GATM4/ GATM8 | Legacy 4X16 | G4x16 G8x16 (new) | GATI | ADID |
|----------------|--------------|-------|-------|------|---------------|---------------------------|------------------------|----------------|-------------------------|------|------|
| Australia | | ✓* | ✓ | | | ✓ | ✓ | | ✓ | ✓ | |
| Bahrain | | ✓* | | | | | ✓ | | ✓ | ✓ | |
| Brazil | | | | | | ✓ | ✓ | | ✓ | ✓ | |
| CALA | | | | | ✓* | ✓* | ✓* | ✓* | ✓* | ✓* | |
| Canada | ✓ | ✓ | ✓ | ✓ | ✓ | ✓ | ✓ | ✓ | ✓ | ✓ | ✓ |
| Caribbean | | | ✓ | ✓ | ✓ | ✓ | ✓ | ✓ | ✓ | ✓ | ✓ |
| Global | ✓* | ✓* | ✓* | ✓* | ✓* | ✓* | ✓* | ✓* | ✓* | ✓* | |
| Hong Kong | ✓* | ✓* | ✓* | ✓* | ✓* | ✓* | ✓ | | ✓ | ✓ | ✓ |
| Ireland | | | | | | | ✓ | | ✓ | ✓ | |
| Mexico | | | ✓* | | | ✓ | ✓ | | ✓ | ✓ | |
| New Zealand | | ✓* | ✓* | | | ✓* | ✓ | | ✓ | ✓ | |
| North America | ✓ | ✓ | ✓ | ✓ | ✓ | ✓ | ✓ | ✓ | ✓ | ✓ | ✓ |
| Poland | ✓* | ✓* | ✓ | | | ✓ | ✓ | | ✓ | ✓ | |
| PRC | | | | | ✓* | ✓* | ✓ | | ✓ | ✓ | |
| Taiwan | | | | | ✓* | ✓ | ✓ | | ✓ | ✓ | ✓ |
| United Kingdom | ✓* | ✓* | ✓ | | | ✓ | ✓ | | ✓ | ✓ | |

Digital interfaces

The table [Digital interface availability by market profile](#) on page 246 lists the digital interfaces supported in each market profile. Note that the Digital Station Interface and the BRI cNIC are onboard interfaces.

Table 55 Digital interface availability by market profile (Sheet 1 of 2)

| Market profile | DSM16+/ DSM32+ | Digital station interface | BRI | BRI cNIC | DTM | R2MFC |
|----------------|-------------------|---------------------------------|-----|-------------|-----|-------|
| Australia | ✓ | ✓ | ✓ | ✓ | ✓ | |
| Bahrain | ✓ | ✓ | ✓ | ✓ | ✓ | |
| Brazil | ✓ | ✓ | ✓ | | ✓ | |

Table 55 Digital interface availability by market profile (Sheet 2 of 2)

| Market profile | DSM16+/ DSM32+ | Digital station interface | BRI | BRI cNIC | DTM | R2MFC |
|----------------|-------------------|---------------------------------|-----|-------------|-----|-------|
| CALA | ✓ | ✓ | ✓ | | ✓ | ✓ |
| Canada | ✓ | ✓ | ✓ | ✓ | ✓ | |
| Caribbean | ✓ | ✓ | ✓ | ✓ | ✓ | |
| Denmark | ✓ | ✓ | ✓ | ✓ | ✓ | |
| France | ✓ | ✓ | ✓ | ✓ | ✓ | |
| Germany | ✓ | ✓ | ✓ | ✓ | ✓ | |
| Global | ✓ | ✓ | ✓ | ✓ | ✓ | ✓ |
| Holland | ✓ | ✓ | ✓ | ✓ | ✓ | |
| Hong Kong | ✓ | ✓ | ✓ | | ✓ | |
| Ireland | ✓ | ✓ | ✓ | ✓ | ✓ | |
| Italy | ✓ | ✓ | ✓ | ✓ | ✓ | |
| Mexico | ✓ | ✓ | ✓ | | ✓ | ✓ |
| New Zealand | ✓ | ✓ | ✓ | ✓ | ✓ | |
| North America | ✓ | ✓ | ✓ | ✓ | ✓ | |
| Norway | ✓ | ✓ | ✓ | ✓ | ✓ | |
| Poland | ✓ | ✓ | ✓ | ✓ | ✓ | |
| PRC | ✓ | ✓ | ✓ | | ✓ | |
| Russia | ✓ | ✓ | | | | |
| South Africa | ✓ | ✓ | | | | |
| Spain | ✓ | ✓ | ✓ | ✓ | ✓ | |
| Sweden | ✓ | ✓ | ✓ | ✓ | ✓ | |
| Switzerland | ✓ | ✓ | ✓ | ✓ | ✓ | |
| Taiwan | ✓ | ✓ | ✓ | | ✓ | |
| United Kingdom | ✓ | ✓ | ✓ | ✓ | ✓ | |

Tones and cadences

The following tables provide region-specific settings for tones and cadences.



Note: The sum of two tones is indicated by “A+B”. The sequence of two tones is indicated by “A:B”.

- [Localized, Dial, and Quiet Dial](#) on page 248
- [Special Dial, Overflow, and Busy](#) on page 249
- [Ring Back, Aux Ring, Async Ring Back](#) on page 251
- [Hold, Warble, Intrusion](#) on page 252
- [Reorder, 1 kHz](#) on page 253

Table 56 Localized, Dial, and Quiet Dial (Sheet 1 of 2)

| Market profile | Localized | Dial | | | Quiet Dial | | |
|----------------|--------------------|------------|-----------------------|-------------------------------------------------------------------------------|------------|-----------------------|-------------------------------------------------------------------------------|
| | | Tones (Hz) | Level per Tone (dBm0) | Cadence | Tones (Hz) | Level per Tone (dBm0) | Cadence |
| Australia | Yes | 400 | -13 | Continuous | 400 | -21 | Continuous |
| Bahrain | Yes | 330+440 | -16 | Continuous | 330+440 | -20 | Continuous |
| Brazil | Yes | 425 | -11.5 | Continuous | 425 | -18 | Continuous |
| CALA | No (North America) | 440+350 | -17 | Continuous | 440+350 | -25 | Continuous |
| Canada | Yes | 440+350 | -17 | Continuous | 440+350 | -25 | Continuous |
| Caribbean | No (North America) | 440+350 | -17 | Continuous | 440+350 | -25 | Continuous |
| Denmark | Yes | 425 | -11.5 | Continuous | 425 | -19.5 | Continuous |
| France | Yes | 440 | -11.5 | Continuous | 400 | -17.5 | Continuous |
| Germany | Yes | 425 | -11.5 | 200 ms on 275 ms off 200 ms on 275 ms off 200 ms on 875 ms off | 425 | -17.5 | 200 ms on 275 ms off 200 ms on 275 ms off 200 ms on 875 ms off |
| Global | No (North America) | 440+350 | -17 | Continuous | 440+350 | -25 | Continuous |
| Holland | Yes | 425 | -11.5 | Continuous | 425 | -19.5 | Continuous |
| Hong Kong | Yes | 440+350 | -11.5 | Continuous | 440+350 | -17.6 | Continuous |
| Ireland | Yes | 425 | -14.5 | Continuous | 425 | -17.5 | Continuous |
| Italy | Yes | 350+425 | -8.5 | Continuous | 350+425 | -17.5 | Continuous |
| Mexico | No (North America) | 440+350 | -17 | Continuous | 440+350 | -25 | Continuous |
| New Zealand | Yes | 400 | -13 | Continuous | 400 | -21 | Continuous |
| North America | Yes | 440+350 | -17 | Continuous | 440+350 | -25 | Continuous |
| Norway | Yes | 425 | -11.5 | Continuous | 425 | -17.5 | Continuous |
| Poland | Yes | 425 | -17.5 | Continuous | 425 | -19.5 | Continuous |
| PRC | Yes | 450 | -11.5 | Continuous | 450 | -17.5 | Continuous |
| Russia | Yes | 425 | -10 | Continuous | 425 | -13 | Continuous |
| South Africa | Yes | 367+400 | -17 | Continuous | 367+400 | -25 | Continuous |
| Spain | Yes | 425 | -11.5 | Continuous | 425 | -17.5 | Continuous |
| Sweden | Yes | 425 | -11.5 | Continuous | 425 | -17.5 | Continuous |
| Switzerland | Yes | 425 | -11.5 | Continuous | 425 | -17.5 | Continuous |
| Taiwan | Yes | 400 | -12 | Continuous | 400 | -20 | Continuous |

Table 56 Localized, Dial, and Quiet Dial (Sheet 2 of 2)

| Market profile | Localized | Dial | | | Quiet Dial | | |
|----------------|-----------|------------|-----------------------|------------|------------|-----------------------|------------|
| | | Tones (Hz) | Level per Tone (dBm0) | Cadence | Tones (Hz) | Level per Tone (dBm0) | Cadence |
| United Kingdom | Yes | 440+350 | -17.5 | Continuous | 440+350 | -14.5 | Continuous |

Table 57 Special Dial, Overflow, and Busy (Sheet 1 of 2)

| Market profile | Special Dial | | | Overflow | | | Busy | | |
|----------------|--------------|-----------------------|-------------------------|-------------------------------|-----------------------------------|----------------------------------------------------|------------|-----------------------|-------------------------|
| | Tones (Hz) | Level per Tone (dBm0) | Cadence | Tones (Hz) | Level per Tone (dBm0) | Cadence | Tones (Hz) | Level per Tone (dBm0) | Cadence |
| Australia | 400 | -13 | 100 ms on 900 ms off | 800 | -13 | 100 ms on 100 ms off | 425 | -13 | 375 ms on 375 ms off |
| Bahrain | 330+400 | -16 | 100 ms on 900 ms off | 425 | -16 | 400 ms on 350 ms off 225 ms on 525 ms off | 425 | -15 | 375 ms on 375 ms off |
| Brazil | 425 | -11.5 | 500 ms on 500 ms off | 950:1400: 1800: silence | -18 | 333 ms: 333 ms: 333 ms: 1 s off | 425 | -11.5 | 250 ms on 250 ms off |
| CALA | Silence | | | 480+620 | -21 | 250 ms on 250 ms off | 480+620 | -21 | 500 ms on 500 ms off |
| Canada | Silence | | | 480+620 | -21 | 250 ms on 250 ms off | 480+620 | -21 | 500 ms on 500 ms off |
| Caribbean | Silence | | | 480+620 | -21 | 250 ms on 250 ms off | 480+620 | -21 | 500 ms on 500 ms off |
| Denmark | Silence | | | 950:1400: 1800: silence | -25 | 333 ms: 333 ms: 333 ms: 1 s off | 425 | -11.5 | 250 ms on 250 ms off |
| France | Silence | | | 950:1400: 1800: silence | -25: -11.5: -25: silence | 333 ms: 333 ms: 333 ms: 1 s off | 440 | -11.5 | 500 ms on 500 ms off |
| Germany | Silence | | | 425 | -11.5 | 240 ms on 240 ms off | 425 | -11.5 | 150 ms on 475 ms off |
| Global | Silence | | | 480+620 | -21 | 250 ms on 250 ms off | 480+620 | -21 | 500 ms on 500 ms off |
| Holland | 425 | -11.5 | 500 ms on 50 ms off | 950:1400: 1800: silence | -18 | 333 ms: 333 ms: 333 ms: 1 s off | 425 | -11.5 | 500 ms on 500 ms off |
| Hong Kong | Silence | | | 480+620 | -14.5 | 500 ms on 500 ms off | 480+620 | -14.5 | 500 ms on 500 ms off |
| Ireland | 400:432 | -14.5 | 0.4 s:0.4 s | 425 | -17.5 | 450 ms on 450 ms off | 425 | -17.5 | 450 ms on 450 ms off |
| Italy | Silence | | | 425 | -8 | 200 ms on 200 ms off | 425 | -8 | 500 ms on 500 ms off |
| Mexico | Silence | | | 480+620 | -21 | 250 ms on 250 ms off | 480+620 | -21 | 500 ms on 500 ms off |

Table 57 Special Dial, Overflow, and Busy (Sheet 2 of 2)

| Market profile | Special Dial | | | Overflow | | | Busy | | |
|----------------|-----------------|-----------------------|------------------------|-------------------------------|-----------------------|------------------------------------------------------------------------------------------------------|------------|-----------------------|--------------------------|
| | Tones (Hz) | Level per Tone (dBm0) | Cadence | Tones (Hz) | Level per Tone (dBm0) | Cadence | Tones (Hz) | Level per Tone (dBm0) | Cadence |
| New Zealand | 400: silence | -13 | 0.1 s:0.1 s | 400 | -11.5 | 75 ms on 100 ms off 75 ms on 100 ms off 75 ms on 100 ms off 75 ms on 400 ms off | 400 | -11.5 | 500 ms on 500 ms off |
| North America | Silence | | | 480+620 | -21 | 250 ms on 250 ms off | 480+620 | -21 | 500 ms on 500 ms off |
| Norway | Silence | | | 950:1400: 1800: silence | -25 | 333 ms: 333 ms: 333 ms: 1.0 s | 425 | -11.5 | 500 ms on 500 ms off |
| Poland | Silence | | | 950:1400: 1800: silence | -25 | 333 ms: 333 ms: 333 ms: 1.0 s | 425 | -17.5 | 500 ms on 500 ms off |
| PRC | Silence | | | 450 | -11.5 | 400 ms on, 400 ms off | 450 | -11.5 | 350 ms on 350 ms off |
| Russia | Silence | | | 425 | -10 | 160 ms on, 160 ms off | 425 | -10 | 350 ms on, 350 ms off |
| South Africa | Silence | | | 400 | -21 | 250 ms on, 250 ms off | 400 | -21 | 500 ms on, 500 ms off |
| Spain | Silence | | | 950:1400: 1800: silence | -25 | 333 ms: 333 ms: 333 ms: 1.0 s | 425 | -11.5 | 200 ms on 200 ms off |
| Sweden | 425 | -11.5 | 320 ms on 25 ms off | 950:1400: 1800: silence | -25 | 333 ms: 333 ms: 333 ms: 1.0 s | 425 | -11.5 | 250 ms on 250 ms off |
| Switzerland | Silence | | | 950:1400: 1800: silence | -25 | 333 ms: 333 ms: 333 ms: 1.0 s | 425 | -11.5 | 500 ms on 500 ms off |
| Taiwan | Silence | | | 950:1400: 1800: silence | -25 | 333 ms: 333 ms: 333 ms: 1.0 s | 480+620 | -21 | 500 ms on 500 ms off |
| United Kingdom | 440+350: 440 | -17.5 | 0.75 s:0.75 s | 400 | -11.5 | Continuous | 400 | -11.5 | 375 ms on 375 ms off |

Table 58 Ring Back, Aux Ring, Async Ring Back (Sheet 1 of 2)

| Market profile | Ring Back | | | Aux Ring | | | Async Ring Back | | |
|----------------|------------|-----------------------|-------------------------------------------------|------------|-----------------------|---------|-----------------|-----------------------|-------------------|
| | Tones (Hz) | Level per Tone (dBm0) | Cadence | Tones (Hz) | Level per Tone (dBm0) | Cadence | Tones (Hz) | Level per Tone (dBm0) | Cadence |
| Australia | 400+450 | -14.5 | 400 ms on 200 ms off 400 ms on 2 s off | Silence | | | 400+450 | -14.5 | Continuous |
| Bahrain | 425 | -15 | 400 ms on 200 ms off 400 ms on 2s off | Silence | | | 425 | -15 | Continuous |
| Brazil | 425 | -11.5 | 1 s on 4 s off | Silence | | | Silence | | |
| CALA | 440+480 | -16 | 2 s on 4 s off | Silence | | | 440+480 | -16 | 2 s on 4 s off |
| Canada | 440+480 | -16 | 2 s on 4 s off | Silence | | | 440+480 | -16 | 2 s on 4 s off |
| Caribbean | 440+480 | -16 | 2 s on 4 s off | Silence | | | 440+480 | -16 | 2 s on 4 s off |
| Denmark | 425 | -11.5 | 1 s on 4 s off | Silence | | | Silence | | |
| France | 440 | -11.5 | 1.5 s on 3.5 s off | Silence | | | 440+450 | -14.5 | Continuous |
| Germany | 425 | -11.5 | 1 s on 4 s off | Silence | | | Silence | | |
| Global | 440+480 | -16 | 2 s on 4 s off | Silence | | | 440+480 | -16 | 2 s on 4 s off |
| Holland | 425 | -11.5 | 1 s on 4 s off | Silence | | | Silence | | |
| Hong Kong | 440+480 | -11.5 | 400 ms on 200 ms off 400 ms on 3 s off | Silence | | | Silence | | |
| Ireland | 400+450 | -14.5 | 400 ms on 200 ms off 400 ms on 2s off | Silence | | | 400+450 | -14.5 | Continuous |
| Italy | 425 | -8 | 1 s on 4 s off | Silence | | | Silence | | |
| Mexico | 440+480 | -16 | 2 s on 4 s off | Silence | | | 440+480 | -16 | 2 s on 4 s off |
| New Zealand | 400+450 | -14.5 | 400 ms on 200 ms off 400 ms on 2 s off | Silence | | | 440+480 | -14.5 | Continuous |
| North America | 440+480 | -16 | 2 s on 4 s off | Silence | | | 440+480 | -16 | 2 s on 4 s off |
| Norway | 425 | -11.5 | 1 s on 4 s off | Silence | | | Silence | | |
| Poland | 425 | -17.5 | 1s on 4 s off | Silence | | | Silence | | |

Table 58 Ring Back, Aux Ring, Async Ring Back (Sheet 2 of 2)

| Market profile | Ring Back | | | Aux Ring | | | Async Ring Back | | |
|----------------|------------|-----------------------|-------------------------------------------------|------------|-----------------------|---------|-----------------|-----------------------|-------------------|
| | Tones (Hz) | Level per Tone (dBm0) | Cadence | Tones (Hz) | Level per Tone (dBm0) | Cadence | Tones (Hz) | Level per Tone (dBm0) | Cadence |
| PRC | 450 | -11.5 | 1s on 4 s off | Silence | | | Silence | | |
| Russia | 425 | -10 | 1 s on, 4 s off | Silence | | | 425 | -10 | Continuous |
| South Africa | 367+400 | -16 | 400ms on, 200ms off, 400ms on, 2s off | Silence | | | 367+400 | -16 | Continuous |
| Spain | 425 | -11.5 | 1.5 s on 3 s off | Silence | | | Silence | | |
| Sweden | 425 | -11.5 | 1 s on 5 s off | Silence | | | Silence | | |
| Switzerland | 425 | -11.5 | 1 s on 4 s off | Silence | | | Silence | | |
| Taiwan | 440+480 | -21 | 1 s on 2 s off | Silence | | | 440+480 | -21 | 1 s on 2 s off |
| United Kingdom | 400+450 | -14.5 | 400 ms on 200 ms off 400 ms on 2 s off | Silence | | | 400+450 | -14.5 | Continuous |

Table 59 Hold, Warble, Intrusion (Sheet 1 of 2)

| Market profile | Hold | | | Warble | | | Intrusion | | |
|----------------|------------|-----------------------|------------------------|------------|-----------------------|---------|------------|-----------------------|------------------------|
| | Tones (Hz) | Level per Tone (dBm0) | Cadence | Tones (Hz) | Level per Tone (dBm0) | Cadence | Tones (Hz) | Level per Tone (dBm0) | Cadence |
| Australia | 400 | -13 | Continuous | Silence | | | 425 | -13 | Continuous |
| Bahrain | 400 | -16 | Continuous | Silence | | | 400 | -16 | Continuous |
| Brazil | 425 | -11.5 | 0.5 s on 9.5 s off | Silence | | | Silence | | |
| CALA | 440 | -14 | Cadenced by CoreTel | Silence | | | Silence | | |
| Canada | 440 | -14 | Cadenced by CoreTel | Silence | | | Silence | | |
| Caribbean | 440 | -14 | Cadenced by CoreTel | Silence | | | Silence | | |
| Denmark | Silence | | | Silence | | | 425 | -11.5 | 50 ms on 500 ms off |
| France | 400 | -11.5 | Continuous | Silence | | | 1400 | -11.5 | Continuous |
| Germany | 425 | -11.5 | Continuous | Silence | | | 425 | -11.5 | Continuous |

Table 59 Hold, Warble, Intrusion (Sheet 2 of 2)

| Market profile | Hold | | | Warble | | | Intrusion | | |
|----------------|------------|-----------------------|--------------------------------------------------|------------|-----------------------|---------|------------|-----------------------|----------------------|
| | Tones (Hz) | Level per Tone (dBm0) | Cadence | Tones (Hz) | Level per Tone (dBm0) | Cadence | Tones (Hz) | Level per Tone (dBm0) | Cadence |
| Global | 440 | -14 | Cadenced by CoreTel | Silence | | | Silence | | |
| Holland | 425 | -11.5 | 0.5 s on 9.5 s off | Silence | | | Silence | | |
| Hong Kong | Silence | | | Silence | | | 1400 | -11.5 | Continuous |
| Ireland | 400 | -11.5 | Continuous | Silence | | | 1400 | -11.5 | Continuous |
| Italy | Silence | | | Silence | | | 425 | -12 | Continuous |
| Mexico | 440 | -14 | Cadenced by CoreTel | Silence | | | Silence | | |
| New Zealand | 400 | -11.5 | Continuous | Silence | | | 1400 | -11.5 | Continuous |
| North America | 400 | -14 | Cadenced by CoreTel | Silence | | | Silence | | |
| Norway | 425 | -11.5 | 200 ms on 600 ms off 200 ms on 10 s off | Silence | | | 1400 | -11.5 | Continuous |
| Poland | 425 | -17.5 | Continuous | Silence | | | 1400 | -25 | Continuous |
| PRC | Silence | | | Silence | | | 1400 | -11.5 | Continuous |
| Russia | 425 | -10 | Continuous | Silence | | | 425 | -10 | Continuous |
| South Africa | 400 | -14 | Continuous | Silence | | | Silence | | |
| Spain | Silence | | | Silence | | | 1400 | -25 | Continuous |
| Sweden | Silence | | | Silence | | | 1400 | -25 | 0.35s on, 15s off |
| Switzerland | Silence | | | Silence | | | 1400 | -25 | Continuous |
| Taiwan | 440 | -14 | Continuous | Silence | | | Silence | | |
| United Kingdom | 400 | -11.5 | Continuous | Silence | | | 1400 | -11.5 | Continuous |

Table 60 Reorder, 1 kHz (Sheet 1 of 3)

| Market profile | Reorder | | | 1 kHz | | |
|----------------|------------|-----------------------|--------------------------------------------------|------------|-----------------------|---------|
| | Tones (Hz) | Level per Tone (dBm0) | Cadence | Tones (Hz) | Level per Tone (dBm0) | Cadence |
| Australia | 425 | -13: off: -23: off | 375 ms on 375 ms off | N/A | | |
| Bahrain | 400 | -16 | 75 ms on 100 ms off 75 ms on 400 ms off | N/A | | |
| Brazil | 425 | -11.5 | 250 ms on 250 ms off | N/A | | |

Table 60 Reorder, 1 kHz (Sheet 2 of 3)

| Market profile | Reorder | | | 1 kHz | | |
|----------------|------------|-----------------------------------------|------------------------------------------------------------------|------------|-----------------------|------------|
| | Tones (Hz) | Level per Tone (dBm0) | Cadence | Tones (Hz) | Level per Tone (dBm0) | Cadence |
| CALA | 480+620 | -21 | 250 ms on 250 ms off | 1004 | -14 | Continuous |
| Canada | 480+620 | -21 | 250 ms on 250 ms off | 1004 | -14 | Continuous |
| Caribbean | 480+620 | -21 | 250 ms on 250 ms off | 1004 | -14 | Continuous |
| Denmark | Silence | | | N/A | | |
| France | Silence | | | N/A | | |
| Germany | 425 | -11.5 | 240 ms on 240 ms off | N/A | | |
| Global | 480+620 | -21 | 250 ms on 250 ms off | 1004 | -14 | Continuous |
| Holland | 425 | -11.5 | 250 ms on 250 ms off | N/A | | |
| Hong Kong | 480+620 | -14.5 | 250 ms on 250 ms off | N/A | | |
| Ireland | 200 | -11.5: Silence: -17.5: Silence | 400 ms on 350 ms off 225 ms on 525 ms off | N/A | | |
| Italy | 425 | -8 | 200 ms on 200 ms off | N/A | | |
| Mexico | 480+620 | -21 | 250 ms on 250 ms off | 1004 | -14 | Continuous |
| New Zealand | 400 | -11.5: Silence: -17.5: Silence | 400 ms on 350 ms off 225 ms on 525 ms off | N/A | | |
| North America | 480+620 | -21 | 250 ms on 250 ms off | 1004 | -14 | Continuous |
| Norway | 425 | -11.5 | 200 ms on 200 ms off | N/A | | |
| Poland | 425 | -17.5 | 200 ms on 200 ms off | N/A | | |
| PRC | 450 | -11.5 | 700 ms on 700 ms off | N/A | | |
| Russia | Silence | | | N/A | | |
| South Africa | 400 | -21 | 250ms on, 250ms off | N/A | | |
| Spain | 425 | -11.5 | 200 ms on 200 ms off 200 ms on 200 ms off 600 ms off | N/A | | |
| Sweden | 425 | -11.5 | 250 ms on 750 ms off | N/A | | |

Table 60 Reorder, 1 kHz (Sheet 3 of 3)

| Market profile | Reorder | | | 1 kHz | | |
|----------------|------------|-----------------------------------------|----------------------------------------------------|------------|-----------------------|---------|
| | Tones (Hz) | Level per Tone (dBm0) | Cadence | Tones (Hz) | Level per Tone (dBm0) | Cadence |
| Switzerland | 425 | -11.5 | 200 ms on 200 ms off | N/A | | |
| Taiwan | 480+620 | -21 | 300 ms on 300 ms off | N/A | | |
| United Kingdom | 400 | -11.5: Silence: -17.5: Silence | 400 ms on 350 ms off 225 ms on 525 ms off | N/A | | |

Core parameters for market profiles

The core parameters for the available market profiles are provided in the following tables:

- [Australia, Brazil, CALA, Canada, Caribbean, and Denmark parameters](#) on page 255
- [France, Germany, Global, Holland, Hong Kong, and Ireland parameters](#) on page 258
- [Italy, Mexico, New Zealand, North America, Norway, and Poland](#) on page 261
- [Russia and South Africa parameters](#) on page 264
- [PRC, Spain, Sweden, Switzerland, Taiwan, and United Kingdom parameters](#) on page 267

Table 61 Australia, Brazil, CALA, Canada, Caribbean, and Denmark parameters (Sheet 1 of 4)

| Functionality | Attribute | Market profile | | | | | | |
|---------------|------------------------------|-------------------------------|-------------------------------|-------------------------------|-------------------------------|------------------------------------------|------------------------------------------|-------------------------------|
| | | Australia | Bahrain | Brazil | CALA | Canada | Caribbean | Denmark |
| Access codes | Direct dial digit | 9 | 0 | 9 | 0 | 0 | 0 | 0 |
| | Dest code for default route | 0 | 9 | 0 | 9 | 9 | 0 | 9 |
| Protocols | Digital trunking protocols | ISDN DASS2 DPNSS | ISDN DASS2 DPNSS | ISDN DASS2 DPNSS | ISDN DASS2 DPNSS | ISDN | ISDN | ISDN DASS2 DPNSS |
| | BRI trunk protocol variants | ETSI-403 ETSI-QSIG | ETSI-403 ETSI-QSIG | ETSI-403 ETSI-QSIG | ETSI-403 ETSI-QSIG | NI-2 | NI-2 | ETSI-403 ETSI-QSIG |
| | BRI S-loop protocol variant | ETSI-102 | ETSI-102 | ETSI-102 | ETSI-102 | NI-2 | NI-2 | ETSI-102 |
| | PRI trunk protocol variants | ETSI-403 ETSI-QSIG MCDN | ETSI-403 ETSI-QSIG MCDN | ETSI-403 ETSI-QSIG MCDN | ETSI-403 ETSI-QSIG MCDN | NI-2 DMS100 DMS250 4ESS MCDN | NI-2 DMS100 DMS250 4ESS MCDN | ETSI-403 ETSI-QSIG MCDN |
| | Global analog trunk versions | GATv1 GATv2 | GATv2 | GATv1 GATv2 | GATv1 GATv2 | GATv1 GATv2 | GATv1 GATv2 | GATv1 GATv2 |

Table 61 Australia, Brazil, CALA, Canada, Caribbean, and Denmark parameters (Sheet 2 of 4)

| Functionality | Attribute | Market profile | | | | | | |
|----------------------------|-----------------------------|--------------------------|--------------------------|--------------------------|--------------------------|--------------------------|--------------------------|--------------------------|
| | | Australia | Bahrain | Brazil | CALA | Canada | Caribbean | Denmark |
| Telephony feature settings | Conference tone supported | Yes | No | Yes | Yes | No | Yes | No |
| | Held line reminder | After 30 seconds | Off | Off | Off | Off | Off | Off |
| | Delay ring transfer | After 15 rings | After 4 rings | After 4 rings | After 4 rings | After 4 rings | After 4 rings | After 4 rings |
| | Transfer callback timeout | After 15 rings | After 4 rings | After 4 rings | After 4 rings | After 4 rings | After 4 rings | After 4 rings |
| | Network callback | 30 | 30 | 30 | 30 | N/A | 30 | 30 |
| | Host delay (ms) | 1000 | 1000 | 1000 | 1000 | 1000 | 1000 | 1000 |
| | Link time (ms) | N/A | 600 | 300 | 600 | 600 | 600 | 600 |
| | Target line if busy setting | Busy | Prime | Prime | Prime | Prime | Prime | Prime |
| | BRI ISDN Answer Mode | Manual | Manual | Manual | Manual | Manual | Manual | Manual |
| System settings | Companding law | A-law | A-law | A-law | A-law | mu-law | mu-law | A-law |
| | DTI carrier type | E1 | E1 | E1 | E1 | T1 | T1 | E1 |
| | Number of rings in a cycle | 2 | 1 | 1 | 1 | 1 | 1 | 1 |
| | M7000 set supported | Yes | Yes | Yes | Yes | No | Yes | Yes |
| Hunt groups | Mode | Sequential | Broadcast | Broadcast | Broadcast | Broadcast | Broadcast | Broadcast |
| | Default delay | 4 ring cycles | 4 ring cycles | 4 ring cycles | 4 ring cycles | 4 ring cycles | 4 ring cycles | 4 ring cycles |
| | Queue timeout (sec) | 60 | 60 | 60 | 60 | 60 | 60 | 60 |
| | If busy | Busy tone | Busy tone | Busy tone | Busy tone | Busy tone | Busy tone | Busy tone |
| Service times | Night | Start 17:00 End 08:00 | Start 23:00 End 07:00 | Start 23:00 End 07:00 | Start 23:00 End 07:00 | Start 23:00 End 07:00 | Start 23:00 End 07:00 | Start 23:00 End 07:00 |
| | Evening | Start 00:00 End 00:00 | Start 17:00 End 23:00 | Start 17:00 End 23:00 | Start 17:00 End 23:00 | Start 17:00 End 23:00 | Start 17:00 End 23:00 | Start 17:00 End 23:00 |
| | Lunch | Start 00:00 End 00:00 | Start 12:00 End 13:00 | Start 12:00 End 13:00 | Start 12:00 End 13:00 | Start 12:00 End 13:00 | Start 12:00 End 13:00 | Start 12:00 End 13:00 |

Table 61 Australia, Brazil, CALA, Canada, Caribbean, and Denmark parameters (Sheet 3 of 4)

| Functionality | Attribute | Market profile | | | | | | |
|---------------|------------------------------|------------------------|--------------------------------------------------------------------------------------------------------------------------|--------------------------------------------------------------------------------------------------------------------------|--------------------------------------------------------------------------------------------------------------------------|--------------------------------------------------------------------------------------------------------------------------|--------------------------------------------------------------------------------------------------------------------------|--------------------------------------------------------|
| | | Australia | Bahrain | Brazil | CALA | Canada | Caribbean | Denmark |
| Service modes | Ringing service mode | Off | Off | Off | Off | Off | Off | Off |
| | Ringing service trunk ans | Yes | Yes | Yes | Yes | Yes | Yes | Yes |
| | Restriction service mode | Off | Off | Off | Off | Off | Off | Off |
| | Restriction global overrides | 000 131440 | N/A | 190 | N/A | N/A | N/A | N/A |
| | Restriction filter 01 | 0(013), 1(13, 1800) | 0, 1(1800, 1866, 1877, 1888), 911(911), 411, 976, 1976, 1***976, 1900, 1***900, 5551212 | 0, 1(1800, 1866, 1877, 1888), 911(911), 411, 976, 1976, 1***976, 1900, 1***900, 5551212 | 0, 1(1800, 1866, 1877, 1888), 911(911), 411, 976, 1976, 1***976, 1900, 1***900, 5551212 | 0, 1(1800, 1866, 1877, 1888), 911(911), 411, 976, 1976, 1***976, 1900, 1***900, 5551212 | 0, 1(1800, 1866, 1877, 1888), 911(911), 411, 976, 1976, 1***976, 1900, 1***900, 5551212 | N/A |
| | Restriction filter 05 | 00, 1(13, 11, 1800) | N/A | N/A | N/A | N/A | N/A | N/A |
| | Restriction filter 06 | * | N/A | N/A | N/A | N/A | N/A | N/A |
| | Routing service mode | Off | Off | Off | Off | Off | Off | Off |
| | Routing service overflow | No | No | No | No | No | No | No |
| Public DN | Public DN lengths | Default(7) | Default(7), 0(11), 00(12), 01(17), 011(18), 1(11), 411(3), 911(3) | Default(7), 0(11), 00(12), 01(17), 011(18), 1(11), 411(3), 911(3) | Default(7), 0(11), 00(12), 01(17), 011(18), 1(11), 411(3), 911(3) | Default(7), 0(11), 00(12), 01(17), 011(18), 1(11), 411(3), 911(3) | Default(7), 0(11), 00(12), 01(17), 011(18), 1(11), 411(3), 911(3) | Default(8), 00(17), 1(3), 16(5), 17(4), 18(4) |
| Public OLI | Unknown number length | N/A | Variable | Variable | Variable | N/A | N/A | Variable |
| | Local number length | 8 | Variable | Variable | Variable | 7 | 7 | Variable |
| | National number length | 9 | Variable | Variable | Variable | 10 | 10 | Variable |

Table 61 Australia, Brazil, CALA, Canada, Caribbean, and Denmark parameters (Sheet 4 of 4)

| Functionality | Attribute | Market profile | | | | | | |
|-------------------------------------------------------------------------------------------------------------------------------------------------------------------------------------------------------------|-----------------------------|----------------|-----------------------------------------|----------------------------------|------------------------------|------------------------------|------------------------------|-------------------------------------------|
| | | Australia | Bahrain | Brazil | CALA | Canada | Caribbean | Denmark |
| Set capabilities | Handsfree | Auto | Auto | Auto | Auto | Auto | Auto | Auto |
| | Pickup group | 1 | None | None | None | None | None | None |
| | Allow redirect | Enabled | Disabled | Disabled | Disabled | Disabled | Disabled | Disabled |
| | Call forward delay | Disabled (4) | Disabled (4) | Disabled (4) | Disabled (4) | Disabled (4) | Disabled (4) | Disabled (4) |
| Note: The field for number of rings is hidden in default mode (disabled). When you enter a value for call forward delay, the field for number of rings becomes visible with the given default value. | | | | | | | | |
| Dial tone detection | | Enabled | Enabled | Enabled | Enabled | Enabled | Enabled | Enabled |
| Set preferences | Language (first is default) | UK English | English French Spanish Turkish | Portuguese English Spanish | Spanish English French | English French Spanish | English French Spanish | Danish English Norwegian Swedish |
| ONN blocking | Analog VSC (tone) | 1831 | None | None | None | None | None | None |
| | Analog VSC (pulse) | 1831 | None | None | None | None | None | None |
| | BRI VSC | None | None | None | None | None | None | None |
| | BRI per loop | SuprsBit | SuprsBit | SuprsBit | SuprsBit | SuprsBit | SuprsBit | SuprsBit |
| Release reason | Release text | Simple | Simple | Simple | None | None | None | Simple |
| | Release code | On | On | On | Off | Off | Off | On |
| DTMF parameters | Tone duration (ms) | 80 | 120 | 120 | 120 | 120 | 120 | 120 |
| | Pause time (ms) | 3.5 | 1.5 | 1.5 | 1.5 | 1.5 | 1.5 | 1.5 |
| | Interdigit time (ms) | 100 | 80 | 80 | 80 | 80 | 80 | 80 |

Table 62 France, Germany, Global, Holland, Hong Kong, and Ireland parameters (Sheet 1 of 4)

| Functionality | Attribute | Market profile | | | | | |
|---------------|-----------------------------|----------------|---------|--------|---------|-----------|---------|
| | | France | Germany | Global | Holland | Hong Kong | Ireland |
| Access codes | Direct dial digit | 9 | 9 | 0 | 0 | 0 | 9 |
| | Dest code for default route | 0 | 0 | 9 | 9 | 9 | 0 |

Table 62 France, Germany, Global, Holland, Hong Kong, and Ireland parameters (Sheet 2 of 4)

| Functionality | Attribute | Market profile | | | | | |
|----------------------------|------------------------------|-------------------------------|-------------------------------|-------------------------------|-------------------------------|--------------------------|-------------------------------|
| | | France | Germany | Global | Holland | Hong Kong | Ireland |
| Protocols | Digital trunking protocols | ISDN DASS2 DPNSS | ISDN DASS2 DPNSS | ISDN DASS2 DPNSS | ISDN DASS2 DPNSS | ISDN DASS2 DPNSS | ISDN DASS2 DPNSS |
| | BRI trunk protocol variants | ETSI-403 ETSI-QSIG | ETSI-403 ETSI-QSIG | ETSI-403 ETSI-QSIG | ETSI-403 ETSI-QSIG | HKTA2015 | ETSI-403 ETSI-QSIG |
| | BRI S-loop protocol variant | ETSI-102 | ETSI-102 | ETSI-102 | ETSI-102 | ETSI-102 | ETSI-102 + BTNR191 |
| | PRI trunk protocol variants | ETSI-403 ETSI-QSIG MCDN | ETSI-403 ETSI-QSIG MCDN | ETSI-403 ETSI-QSIG MCDN | ETSI-403 ETSI-QSIG MCDN | HKTA2015 MCDN | ETSI-403 ETSI-QSIG MCDN |
| | Global analog trunk versions | N/A | N/A | GATv1 GATv2 | N/A | GATv1 GATv2 | GATv1 GATv2 |
| Telephony feature settings | Conference tone supported | No | Yes | No | No | No | Yes |
| | Held line reminder | Off | Off | Off | Off | Off | Immediate |
| | Delay ring transfer | After 4 rings | After 4 rings | After 4 rings | After 4 rings | After 4 rings | After 4 rings |
| | Transfer callback timeout | After 4 rings | After 4 rings | After 4 rings | After 4 rings | After 4 rings | After 4 rings |
| | Network callback | 30 | 30 | 30 | 30 | N/A | 30 |
| | Host delay (ms) | 1000 | 1000 | 1000 | 1000 | 1000 | 1000 |
| | Link time (ms) | N/A | N/A | 600 | 600 | 600 | N/A |
| | Target line if busy setting | PBX > Busy DID > Prime | PBX > Busy DID > Prime | Prime | Prime | Prime | PBX > Busy DID > Prime |
| BRI ISDN Answer Mode | Manual | Manual | Manual | Manual | Manual | Auto | |
| System settings | Companding law | A-law | A-law | A-law | A-law | mu-law | A-law |
| | DTI carrier type | E1 | E1 | E1 | E1 | T1 | E1 |
| | Number of rings in a cycle | 2 | 2 | 1 | 1 | 1 | 2 |
| | M7000 set supported | Yes | Yes | Yes | Yes | No | Yes |
| Hunt groups | Mode | Sequential | Sequential | Broadcast | Broadcast | Broadcast | Sequential |
| | Default delay | 4 ring cycles | 4 ring cycles | 4 ring cycles | 4 ring cycles | 4 ring cycles | 4 ring cycles |
| | Queue timeout (sec) | 60 | 60 | 60 | 60 | 60 | 60 |
| | If busy | Busy tone | Busy tone | Busy tone | Busy tone | Busy tone | Busy tone |
| Service times | Night | Start 23:00 End 07:00 | Start 23:00 End 07:00 | Start 23:00 End 07:00 | Start 23:00 End 07:00 | Start 23:00 End 07:00 | Start 23:00 End 07:00 |
| | Evening | Start 17:00 End 23:00 | Start 17:00 End 23:00 | Start 17:00 End 23:00 | Start 17:00 End 23:00 | Start 17:00 End 23:00 | Start 17:00 End 23:00 |
| | Lunch | Start 12:00 End 13:00 | Start 12:00 End 13:00 | Start 12:00 End 13:00 | Start 12:00 End 13:00 | Start 12:00 End 13:00 | Start 12:00 End 13:00 |

Table 62 France, Germany, Global, Holland, Hong Kong, and Ireland parameters (Sheet 3 of 4)

| Functionality | Attribute | Market profile | | | | | |
|-------------------------------------------------------------------------------------------------------------------------------------------------------------------------------------------------------------|------------------------------|--------------------|----------------|-----------------------------------------------------------------------------------------|--------------------------|---------------------------------------------------------------------------------------------|----------------------------------------------|
| | | France | Germany | Global | Holland | Hong Kong | Ireland |
| Service modes | Ringing service mode | Manual | Manual | Off | Off | Off | Manual |
| | Ringing service trunk ans | Yes | Yes | Yes | Yes | Yes | Yes |
| | Restriction service mode | Off | Off | Off | Off | Off | Off |
| | Restriction global overrides | N/A | N/A | N/A | N/A | N/A | N/A |
| | Restriction filter 01 | N/A | N/A | 0, 1(1800, 1866, 1877, 1888), 911(911), 411, 976, 1976, 1***976, 1900, 1***900, 5551212 | N/A | 00***, 170, 172, 173, 1747, 1760, 1761, 1766, 1770, 1771, 1772, 1775, 1778, 1783, 1788, 900 | 0(0800), 1 |
| | Restriction filter 05 | N/A | N/A | N/A | N/A | N/A | 010, 1, 00 |
| | Restriction filter 06 | N/A | N/A | N/A | N/A | N/A | * |
| | Routing service mode | Off | Off | Off | Off | Off | Off |
| Routing service overflow | No | No | No | No | No | No | |
| Public DN | Public DN lengths | Default(25) | Default(25) | Default(7), 0(11), 00(12), 01(17), 011(18), 1(11), 411(3), 911(3) | Default(7) | Default(7), 0(11), 00(12), 01(17), 011(18), 1(11), 411(3), 911(3) | Default(8), 0(11) 00(17), 1(3), 118(6), 9(3) |
| Public OLI | Unknown number length | Variable | Variable | Variable | Variable | Variable | Variable |
| | Local number length | Variable | Variable | Variable | Variable | Variable | Variable |
| | National number length | Variable | Variable | Variable | Variable | Variable | Variable |
| Set capabilities | Handsfree | Auto | Auto | Auto | Auto | Auto | None |
| | Pickup group | None | None | None | None | None | None |
| | Allow redirect | Disabled | Disabled | Disabled | Disabled | Disabled | Disabled |
| | Call forward delay | Disabled (4) | Disabled (4) | Disabled (4) | Disabled (4) | Disabled (4) | Disabled (4) |
| Note: The field for number of rings is hidden in default mode (disabled). When you enter a value for call forward delay, the field for number of rings becomes visible with the given default value. | | | | | | | |
| Dial tone detection | | Enabled | Enabled | Enabled | Enabled | Enabled | Enabled |
| Set preferences | Language (first is default) | EuroFrench English | German English | English French Spanish Turkish | Dutch English EuroFrench | English French Spanish | UK English |

Table 62 France, Germany, Global, Holland, Hong Kong, and Ireland parameters (Sheet 4 of 4)

| Functionality | Attribute | Market profile | | | | | |
|-----------------|----------------------|----------------|----------|----------|----------|-----------|----------|
| | | France | Germany | Global | Holland | Hong Kong | Ireland |
| ONN blocking | Analog VSC (tone) | None | None | None | None | None | 141 |
| | Analog VSC (pulse) | None | None | None | None | None | 141 |
| | BRI VSC | None | None | None | None | None | 141 |
| | BRI per loop | SuprsBit | SuprsBit | SuprsBit | SuprsBit | SuprsBit | SrvCode |
| Release reason | Release text | Simple | Detailed | Simple | Simple | None | Detailed |
| | Release code | On | Off | On | On | Off | Off |
| DTMF parameters | Tone duration (ms) | 120 | 120 | 120 | 120 | 120 | 120 |
| | Pause time (ms) | 3.5 | 3.5 | 1.5 | 1.5 | 1.5 | 3.5 |
| | Interdigit time (ms) | 100 | 100 | 80 | 80 | 80 | 100 |

Table 63 Italy, Mexico, New Zealand, North America, Norway, and Poland (Sheet 1 of 4)

| Functionality | Attribute | Market profile | | | | | |
|---------------|------------------------------|-------------------------------|-------------------------------|-------------------------------|------------------------------------------|-------------------------------|-------------------------------|
| | | Italy | Mexico | New Zealand | North America | Norway | Poland |
| Access codes | Direct dial digit | 9 | 0 | 0 | 0 | 9 | 0 |
| | Dest code for default route | 0 | 9 | 0 | 9 | 0 | 9 |
| Protocols | Digital trunking protocols | ISDN DASS2 DPNSS | ISDN DASS2 DPNSS | ISDN DASS2 DPNSS | ISDN | ISDN DASS2 DPNSS | ISDN DASS2 DPNSS |
| | BRI trunk protocol variants | ETSI-102 ETSI-QSIG | ETSI-403 ETSI-QSIG | ETSI-403 ETSI-QSIG | NI-2 | ETSI-403 ETSI-QSIG | ETSI-403 ETSI-QSIG |
| | BRI S-loop protocol variant | ETSI-102 | ETSI-102 | ETSI-102 + BTNR191 | NI-2 | ETSI-102 | ETSI-102 |
| | PRI trunk protocol variants | ETSI-102 ETSI-QSIG MCDN | ETSI-403 ETSI-QSIG MCDN | ETSI-403 ETSI-QSIG MCDN | NI-2 DMS100 DMS250 4ESS MCDN | ETSI-403 ETSI-QSIG MCDN | ETSI-403 ETSI-QSIG MCDN |
| | Global analog trunk versions | N/A | GATv1 GATv2 | N/A | GATv1 GATv2 | N/A | GATv1 GATv2 |

Table 63 Italy, Mexico, New Zealand, North America, Norway, and Poland (Sheet 2 of 4)

| Functionality | Attribute | Market profile | | | | | |
|----------------------------|-----------------------------|---------------------------|--------------------------|---------------------------|--------------------------|---------------------------|--------------------------|
| | | Italy | Mexico | New Zealand | North America | Norway | Poland |
| Telephony feature settings | Conference tone supported | Yes | No | Yes | No | No | Yes |
| | Held line reminder | Off | Off | Immediate | Off | Off | After 30 seconds |
| | Delay ring transfer | After 4 rings | After 4 rings | After 4 rings | After 4 rings | After 4 rings | After 15 rings |
| | Transfer callback timeout | After 4 rings | After 4 rings | After 4 rings | After 4 rings | After 4 rings | After 15 rings |
| | Network callback | 30 | 30 | 30 | N/A | 30 | 30 |
| | Host delay (ms) | 1000 | 1000 | 1000 | 1000 | 1000 | 1000 |
| | Link time (ms) | N/A | 600 | N/A | 600 | N/A | N/A |
| | Target line if busy setting | PBX > Busy DID > Prime | Prime | PBX > Busy DID > Prime | Prime | PBX > Busy DID > Prime | Busy |
| BRI ISDN Answer Mode | Manual | Manual | Auto | Manual | Auto | Manual | |
| System settings | Companding law | A-law | A-law | A-law | mu-law | A-law | A-law |
| | DTI carrier type | E1 | E1 | E1 | T1 | E1 | E1 |
| | Number of rings in a cycle | 2 | 1 | 2 | 1 | 2 | 2 |
| | M7000 set supported | Yes | Yes | Yes | No | Yes | Yes |
| Hunt groups | Mode | Sequential | Broadcast | Sequential | Broadcast | Sequential | Sequential |
| | Default delay | 4 ring cycles | 4 ring cycles | 4 ring cycles | 4 ring cycles | 4 ring cycles | 4 ring cycles |
| | Queue timeout (sec) | 60 | 60 | 60 | 60 | 60 | 60 |
| | If busy | Busy tone | Busy tone | Busy tone | Busy tone | Busy tone | Busy tone |
| Service times | Night | Start 23:00 End 07:00 | Start 23:00 End 07:00 | Start 23:00 End 07:00 | Start 23:00 End 07:00 | Start 23:00 End 07:00 | Start 23:00 End 08:00 |
| | Evening | Start 17:00 End 23:00 | Start 17:00 End 23:00 | Start 17:00 End 23:00 | Start 17:00 End 23:00 | Start 17:00 End 23:00 | Start 00:00 End 00:00 |
| | Lunch | Start 12:00 End 13:00 | Start 12:00 End 13:00 | Start 12:00 End 13:00 | Start 12:00 End 13:00 | Start 12:00 End 13:00 | Start 00:00 End 00:00 |

Table 63 Italy, Mexico, New Zealand, North America, Norway, and Poland (Sheet 3 of 4)

| Functionality | Attribute | Market profile | | | | | |
|-------------------------------------------------------------------------------------------------------------------------------------------------------------------------------------------------------------|------------------------------|--------------------|-----------------------------------------------------------------------------------------------------------------------|-------------------------------------------------------|-----------------------------------------------------------------------------------------------------------------------|-------------------------------------------|------------------------------------------|
| | | Italy | Mexico | New Zealand | North America | Norway | Poland |
| Service modes | Ringing service mode | Manual | Off | Manual | Off | Manual | Off |
| | Ringing service trunk ans | Yes | Yes | Yes | Yes | Yes | Yes |
| | Restriction service mode | Off | Off | Off | Off | Off | Off |
| | Restriction global overrides | N/A | N/A | 999 112 | N/A | N/A | 112 990 |
| | Restriction filter 01 | N/A | 0, 1(1800, 1866, 1877, 1888), 911(911), 411, 976, 1976, 1***976, 1900, 1***900, 5551212 | 0(0800), 1 | 0, 1(1800, 1866, 1877, 1888), 911(911), 411, 976, 1976, 1***976, 1900, 1***900, 5551212 | N/A | N/A |
| | Restriction filter 05 | N/A | N/A | 010, 1, 00 | N/A | N/A | N/A |
| | Restriction filter 06 | N/A | N/A | * | N/A | N/A | N/A |
| | Routing service mode | Off | Off | Off | Off | Off | Off |
| Routing service overflow | No | No | No | No | No | No | |
| Public DN | Public DN lengths | Default(25) | Default(7), 0(11), 00(12), 01(17), 011(18), 1(11), 411(3), 911(3) | Default(8), 0(11) 00(17), 1(3), 118(6), 9(3) | Default(7), 0(11), 00(12), 01(17), 011(18), 1(11), 411(3), 911(3) | Default(25) | Default(7) |
| Public OLI | Unknown number length | Variable | Variable | Variable | N/A | Variable | Variable |
| | Local number length | Variable | Variable | Variable | 7 | Variable | Variable |
| | National number length | Variable | Variable | Variable | 10 | Variable | Variable |
| Set capabilities | Handsfree | Auto | Auto | None | Auto | Auto | Auto |
| | Pickup group | None | None | None | None | None | 0 |
| | Allow redirect | Disabled | Disabled | Disabled | Disabled | Disabled | Disabled |
| | Call forward delay | Disabled (4) | Disabled (4) | Disabled (4) | Disabled (4) | Disabled (4) | Disabled (4) |
| Note: The field for number of rings is hidden in default mode (disabled). When you enter a value for call forward delay, the field for number of rings becomes visible with the given default value. | | | | | | | |
| Dial tone detection | | Enabled | Enabled | Enabled | Enabled | Enabled | Enabled |
| Set preferences | Language (first is default) | Italian English | English French Spanish Turkish | UKEnglish | English French Spanish | Norwegian English Swedish Danish | Polish EuroFrench English Czech |

Table 63 Italy, Mexico, New Zealand, North America, Norway, and Poland (Sheet 4 of 4)

| Functionality | Attribute | Market profile | | | | | |
|-----------------|----------------------|----------------|----------|-------------|---------------|----------|----------|
| | | Italy | Mexico | New Zealand | North America | Norway | Poland |
| ONN blocking | Analog VSC (tone) | None | None | 141 | None | None | 1831 |
| | Analog VSC (pulse) | None | None | 141 | None | None | 1831 |
| | BRI VSC | None | None | 141 | None | None | None |
| | BRI per loop | SuprsBit | SuprsBit | SrvcCode | SuprsBit | SuprsBit | SuprsBit |
| Release reason | Release text | Simple | Simple | Detailed | None | Simple | Simple |
| | Release code | On | On | Off | Off | On | On |
| DTMF parameters | Tone duration (ms) | 120 | 120 | 120 | 120 | 120 | 110 |
| | Pause time (ms) | 3.5 | 1.5 | 3.5 | 1.5 | 3.5 | 1.5 |
| | Interdigit time (ms) | 100 | 80 | 100 | 80 | 100 | 80 |

Table 64 Russia and South Africa parameters (Sheet 1 of 4)

| Functionality | Attribute | Market profile | |
|---------------|------------------------------|-------------------------------|-------------------------------|
| | | Russia | South Africa |
| Access codes | Direct dial digit | 0 | 9 |
| | Dest code for default route | 9 | 0 |
| Protocols | Digital trunking protocols | ISDN DASS2 DPNSS | ISDN DASS2 DPNSS |
| | BRI trunk protocol variants | ETSI-403 ETSI-QSIG | ETSI-403 ETSI-QSIG |
| | BRI S-loop protocol variant | ETSI-102 | ETSI-102 |
| | PRI trunk protocol variants | ETSI-403 ETSI-QSIG MCDN | ETSI-403 ETSI-QSIG MCDN |
| | Global analog trunk versions | GATv2 | GATv2 |

Table 64 Russia and South Africa parameters (Sheet 2 of 4)

| Functionality | Attribute | Market profile | |
|----------------------------|-----------------------------|--------------------------|--------------------------|
| | | Russia | South Africa |
| Telephony feature settings | Conference tone supported | No | Yes |
| | Held line reminder | Off | After 30 s |
| | Delay ring transfer | After 4 rings | After 15 rings |
| | Transfer callback timeout | After 4 rings | After 15 rings |
| | Network callback | 30 | 30 |
| | Host delay (ms) | 1000 | 1000 |
| | Link time (ms) | 600 | N/A |
| | Target line if busy setting | Prime | Busy |
| | BRI ISDN Answer Mode | Manual | Auto |
| | Companding law | A-law | A-law |
| | DTI carrier type | E1 | E1 |
| System settings | Number of rings in a cycle | 1 | 2 |
| | M7000 set supported | Yes | Yes |
| Hunt groups | Mode | Broadcast | Sequential |
| | Default delay | 4 rings | 4 rings |
| | Queue timeout | 60 sec | 60 sec |
| | If busy | Busy tone | Busy tone |
| Service times | Night | Start 23:00 End 07:00 | Start 17:00 End 08:00 |
| | Evening | Start 17:00 End 23:00 | Start 00:00 End 00:00 |
| | Lunch | Start 12:00 End 13:00 | Start 00:00 End 00:00 |

Table 64 Russia and South Africa parameters (Sheet 3 of 4)

| Functionality | Attribute | Market profile | |
|-------------------------------------------------------------------------------------------------------------------------------------------------------------------------------------------------------------|------------------------------|-----------------------------------------------------------------------------------------------------------|--------------------------|
| | | Russia | South Africa |
| Service modes | Ring service mode | Off | Off |
| | Ring service trunk ans | Yes | Yes |
| | Restriction service mode | Off | Off |
| | Restriction global overrides | N/A | 000 131440 |
| | Restriction filter 01 | 0, 1(1800, 1866, 1877, 1888), 911(911), 411, 976, 1976, 1***976, 1900, 1***900, 5551212 | 0(013), 1(13,1800) |
| | Restriction filter 05 | N/A | 00, 1 (13,11,1800) |
| | Restriction filter 06 | N/A | * |
| | Routing service mode | Off | Off |
| | Routing service overflow | No | No |
| Public DN | Public DN lengths | Default(7), 0(11), 00(12), 01(17), 011(18), 1(11), 411(3), 911(3) | Default (7) |
| Public OLI | Unknown number length | Variable | N/A |
| | Local number length | Variable | 8 |
| | National number length | Variable | 9 |
| Set capabilities | Handsfree | Auto | Auto |
| | Pickup group | None | 1 |
| | Allow redirect | Disabled | Enabled |
| | Call forward delay | Enabled | Enabled |
| Note: The field for number of rings is hidden in default mode (disabled). When you enter a value for call forward delay, the field for number of rings becomes visible with the given default value. | | | |
| Dial tone detection | | Enabled | Enabled |
| Set preferences | Language (first is default) | English French Spanish Turkish | UIKEnglish |

Table 64 Russia and South Africa parameters (Sheet 4 of 4)

| Functionality | Attribute | Market profile | |
|-----------------|----------------------|----------------|--------------|
| | | Russia | South Africa |
| ONN blocking | Analog VSC (tone) | None | 1831 |
| | Analog VSC (pulse) | None | 1831 |
| | BRI VSC | None | None |
| | BRI per loop | SuprsBit | SuprsBit |
| Release reason | Release text | Simple | Simple |
| | Release code | On | On |
| DTMF parameters | Tone duration (ms) | 120 | 80 |
| | Pause time (ms) | 1.5 | 3.5 |
| | Interdigit time (ms) | 80 | 100 |

Table 65 PRC, Spain, Sweden, Switzerland, Taiwan, and United Kingdom parameters (Sheet 1 of 4)

| Functionality | Attribute | Market profile | | | | | |
|---------------|------------------------------|-------------------------------|-------------------------------|-------------------------------|-------------------------------|------------------------|-------------------------------|
| | | PRC | Spain | Sweden | Switzerland | Taiwan | United Kingdom |
| Access codes | Direct dial digit | 0 | 9 | 0 | 9 | 0 | 0 |
| | Dest code for default route | 9 | 0 | 0 | 0 | 9 | 0 |
| Protocols | Digital trunking protocols | ISDN DASS2 DPNSS | ISDN DASS2 DPNSS | ISDN DASS2 DPNSS | ISDN DASS2 DPNSS | ISDN DASS2 DPNSS | ISDN DASS2 DPNSS |
| | BRI trunk protocol variants | ETSI-403 ETSI-QSIG | ETSI-403 ETSI-QSIG | ETSI-403 ETSI-QSIG | ETSI-403 ETSI-QSIG | ITU-T | ETSI-403 ETSI-QSIG |
| | BRI S-loop protocol variant | ETSI-102 | ETSI-102 | ETSI-102 | ETSI-102 | ETSI-102 | ETSI-102 + BTNR191 |
| | PRI trunk protocol variants | ETSI-403 ETSI-QSIG MCDN | ETSI-403 ETSI-QSIG MCDN | ETSI-403 ETSI-QSIG MCDN | ETSI-403 ETSI-QSIG MCDN | ITU-T MCDN | ETSI-403 ETSI-QSIG MCDN |
| | Global analog trunk versions | GATv1 GATv2 | N/A | N/A | N/A | GATv1 GATv2 | GATv1 GATv2 |

Table 65 PRC, Spain, Sweden, Switzerland, Taiwan, and United Kingdom parameters (Sheet 2 of 4)

| Functionality | Attribute | Market profile | | | | | |
|----------------------------|-----------------------------|--------------------------|---------------------------|--------------------------|---------------------------|--------------------------|---------------------------|
| | | PRC | Spain | Sweden | Switzerland | Taiwan | United Kingdom |
| Telephony feature settings | Conference tone supported | No | No | No | No | No | Yes |
| | Held line reminder | Off | Off | Off | Off | Off | Immediate |
| | Delay ring transfer | After 4 rings | After 4 rings | After 4 rings | After 4 rings | After 4 rings | After 4 rings |
| | Transfer callback timeout | After 4 rings | After 4 rings | After 4 rings | After 4 rings | After 4 rings | After 4 rings |
| | Network callback | 30 | 30 | 30 | 30 | N/A | 30 |
| | Host delay (ms) | 1000 | 1000 | 1000 | 1000 | 1000 | 1000 |
| | Link time (ms) | 600 | N/A | 600 | N/A | 600 | N/A |
| | Target line if busy setting | Prime | PBX > Busy DID > Prime | Prime | PBX > Busy DID > Prime | Prime | PBX > Busy DID > Prime |
| | BRI ISDN Answer Mode | Manual | Auto | Manual | Auto | Manual | Auto |
| | Compadding law | A-law | A-law | A-law | A-law | mu-law | A-law |
| System settings | DTI carrier type | E1 | E1 | E1 | E1 | T1 | E1 |
| | Number of rings in a cycle | 1 | 2 | 1 | 2 | 1 | 2 |
| | M7000 set supported | Yes | Yes | Yes | Yes | Yes | Yes |
| Hunt groups | Mode | Broadcast | Sequential | Broadcast | Sequential | Broadcast | Sequential |
| | Default delay | 4 ring cycles | 4 ring cycles | 4 ring cycles | 4 ring cycles | 4 ring cycles | 4 ring cycles |
| | Queue timeout | 60 sec | 60 sec | 60 sec | 60 sec | 60 sec | 60 sec |
| | If busy | Busy tone | Busy tone | Busy tone | Busy tone | Busy tone | Busy tone |
| Service times | Night | Start 23:00 End 07:00 | Start 23:00 End 07:00 | Start 23:00 End 07:00 | Start 23:00 End 07:00 | Start 23:00 End 07:00 | Start 23:00 End 07:00 |
| | Evening | Start 17:00 End 23:00 | Start 17:00 End 23:00 | Start 17:00 End 23:00 | Start 17:00 End 23:00 | Start 17:00 End 23:00 | Start 17:00 End 23:00 |
| | Lunch | Start 12:00 End 13:00 | Start 12:00 End 13:00 | Start 12:00 End 13:00 | Start 12:00 End 13:00 | Start 12:00 End 13:00 | Start 12:00 End 13:00 |

Table 65 PRC, Spain, Sweden, Switzerland, Taiwan, and United Kingdom parameters (Sheet 3 of 4)

| Functionality | Attribute | Market profile | | | | | | |
|------------------|------------------------------|-----------------------------------------------------------------------------------------|--------------|------------------------------------------------------------------------------------------------------------------------------------------------------------|--------------|-------------------------------------------------------------------|-----------------------------------------------------------------------------------------|------------|
| | | PRC | Spain | Sweden | Switzerland | Taiwan | United Kingdom | |
| Service modes | Ringing service mode | Off | Manual | Off | Manual | Off | Manual | |
| | Ringing service trunk ans | Yes | Yes | Yes | Yes | Yes | Yes | |
| | Restriction service mode | Off | Off | Off | Off | Off | Off | |
| | Restriction global overrides | N/A | N/A | N/A | N/A | N/A | 999 112 | |
| | Restriction filter 01 | 0, 1(1800, 1866, 1877, 1888), 911(911), 411, 976, 1976, 1***976, 1900, 1***900, 5551212 | N/A | N/A | N/A | N/A | 0, 1(1800, 1866, 1877, 1888), 911(911), 411, 976, 1976, 1***976, 1900, 1***900, 5551212 | 0(0800), 1 |
| | Restriction filter 05 | N/A | N/A | N/A | N/A | N/A | 010, 1, 00 | |
| | Restriction filter 06 | N/A | N/A | N/A | N/A | N/A | * | |
| | Routing service mode | Off | Off | Off | Off | Off | Off | |
| | Routing service overflow | No | No | No | No | No | No | |
| Public DN | Public DN lengths | Default(7), 0(11), 00(12), 01(17), 011(18), 1(11), 411(3), 911(3) | Default(25) | Default(11), 00(17), 01(10), 02(10), 020(9), 0200(10), 02000(7), 020000(10), 0201(10), 02010(9), 07(10), 071(11), 0718(10), 072(11), 077(11), 09(11), 1(3) | Default(25) | Default(7), 0(11), 00(12), 01(17), 011(18), 1(11), 411(3), 911(3) | Default(8), 0(11) 00(17), 1(3), 118(6), 9(3) | |
| Public OLI | Unknown number length | Variable | Variable | Variable | Variable | Variable | Variable | |
| | Local number length | Variable | Variable | Variable | Variable | Variable | Variable | |
| | National number length | Variable | Variable | Variable | Variable | Variable | Variable | |
| Set capabilities | Handsfree | Auto | Auto | Auto | Auto | Auto | None | |
| | Pickup group | None | None | None | None | None | None | |
| | Allow redirect | Disabled | Disabled | Disabled | Disabled | Disabled | Disabled | |
| | Call forward delay | Disabled (4) | Disabled (4) | Disabled (4) | Disabled (4) | Disabled (4) | Disabled (4) | |

Note: The field for number of rings is hidden in default mode (disabled). When you enter a value for call forward delay, the field for number of rings becomes visible with the given default value.

Table 65 PRC, Spain, Sweden, Switzerland, Taiwan, and United Kingdom parameters (Sheet 4 of 4)

| Functionality | Attribute | Market profile | | | | | |
|---------------------|-----------------------------|-----------------------------------------|--------------------------------------|-------------------------------------------|--------------------------------------------|------------------------------|----------------|
| | | PRC | Spain | Sweden | Switzerland | Taiwan | United Kingdom |
| Dial tone detection | | Enabled | Enabled | Enabled | Enabled | Enabled | Enabled |
| Set preferences | Language (first is default) | English French Spanish Turkish | EuroSpanish English Portuguese | Swedish English Norwegian Danish | German English EuroFrench Italian | English French Spanish | UKEnglish |
| ONN blocking | Analog VSC (tone) | None | None | None | None | None | 141 |
| | Analog VSC (pulse) | None | None | None | None | None | 141 |
| | BRI VSC | None | None | None | None | None | 141 |
| | BRI per loop | SuprsBit | SuprsBit | SuprsBit | SuprsBit | SuprsBit | SrvCode |
| Release reason | Release text | Simple | Simple | Simple | Simple | Simple | Detailed |
| | Release code | On | On | On | On | On | Off |
| DTMF parameters | Tone duration (ms) | 120 | 120 | 120 | 120 | 120 | 120 |
| | Pause time (ms) | 1.5 | 3.5 | 1.5 | 3.5 | 1.5 | 3.5 |
| | Interdigit time (ms) | 80 | 100 | 80 | 100 | 80 | 100 |

Analog Trunk parameters

The table [Localization, PSTN standards, and pulse dialing parameters](#) on page 271 contains information for the onboard GATI interface, the G4x16/G8x16 MBM (NT5B42AAABE5/NT5B42AAACE5), the new GATM4/8 MBM (NT5B44BAABE5/NT5B44AAABE5), and the legacy GATM4/8 MBM (NT5B44BAAA/NT5B44AAAA) in a BCM50R3 system. Differences between the interfaces are noted in this table. The 4x16 (NT5B42AAAA) and CTM4/8 MBMs are not covered in this table.

Global analog trunks are not supported in the following market profiles: Denmark, France, Germany, Holland, Italy, Norway, Spain, Sweden, and Switzerland.

The analog trunk parameters are provided in the following tables:

- [Localization, PSTN standards, and pulse dialing parameters](#) on page 271
- [Transmission parameters](#) on page 273
- [Call supervision parameters](#) on page 274
- [On-hook caller ID, disconnect supervision, and message waiting parameters](#) on page 275

Table 66 Localization, PSTN standards, and pulse dialing parameters (Sheet 1 of 3)

| Market profile | Localized | Differences between GATI, G4x16/G8x16, New GATM4/8, and Legacy GATM4/8 | PSTN Standards, Specifications Referenced | Pulse Dialing (ms) | | |
|----------------|---------------------------------|------------------------------------------------------------------------|--------------------------------------------------------------------------------------------------------------------------------------------------------------------------------------------------------------------------------------------------------------------------------------------------------------------------------------------------------------------------------------------------------------------------------------------------------------------------------------------|--------------------|-----------|-----------------|
| | | | | Break time | Make time | Interdigit time |
| Australia | Yes | None | [1] AS/ACIF S003:2005 (2nd Edition) — Customer Access Equipment for Connection to a Telecommunications Network [2] AS/ACIF S002:2001 — Analogue interworking and non-interference requirements for Customer Equipment for connection to the Public Switched Telephone Network | 66 | 34 | 860 |
| Bahrain | Yes | Legacy GATM4/8 NOT supported (will not function) | [1] Bahrain PSTN Specification [2] Si3050 Global Voice/Data Direct Access Arrangement Specification [3] AN84 Digital Hybrid with the Si305X DAAS Specification [4] ETSI ETS 300 659-1 Public Switched Telephone Network (PSTN), Subscriber line protocol over the local loop for display (and related) services. Part 1: On hook data transmission. | 25 | 17 | 700 |
| Brazil | Yes | DTMF CLID NOT supported on GATI or Legacy GATM4/8 | [1] Identification of the Calling Party for SPC With DTMF, 220-250-713. [2] Si3050 Global Voice/Data Direct Access Arrangement Specification. | 66 | 34 | 800 |
| CALA | No (North American based A-law) | None | N/A | 60 | 40 | 700 |
| Canada | Yes | None | N/A | 60 | 40 | 700 |
| Caribbean | Yes | None | N/A | 60 | 40 | 700 |
| Global | No (North American based A-Law) | None | N/A | 60 | 40 | 700 |
| Hong Kong | Yes | Line Reversal NOT supported on Legacy GATM4/8 | [1] General Technical Characteristics of Fixed Telecommunications Networks in Hong Kong, HKTA 2201, Issue 4, April 2003. [2] Network Connection Specification for Connection of Customer Premises Equipment (CPE) to Direct-Dial-In (DDI) Line of the Public Switched Telephone Network (PSTN) in Hong Kong, HKTA 2013, Issue 3, February 2003. [3] Si3050 Global Voice/Data Direct Access Arrangement Specification. [4] AN84 Digital Hybrid with the Si305X DAAS Specification. | 66 | 33 | 600 |

Table 66 Localization, PSTN standards, and pulse dialing parameters (Sheet 2 of 3)

| Market profile | Localized | Differences between GATI, G4x16/G8x16, New GATM4/8, and Legacy GATM4/8 | PSTN Standards, Specifications Referenced | Pulse Dialing (ms) | | |
|----------------|-----------------------------------------------|------------------------------------------------------------------------|----------------------------------------------------------------------------------------------------------------------------------------------------------------------------------------------------------------------------------------------------------------------------------------------------------------------------------------------------------------------------------------------------------------------|--------------------|-----------|-----------------|
| | | | | Break time | Make time | Interdigit time |
| Ireland | Yes | Legacy GATM4/8 NOT supported (will not function) | [1] Eircom PSTN Interface Specification, Eircom document reference R452 NPD00, Revision: 1.1, 21/7/2000 [2] Si3050 Global Voice/Data Direct Access Arrangement Specification. [3] ETSI ETS 300 659-1 Public Switched Telephone Network (PSTN), Subscriber line protocol over the local loop for display (and related) services. Part 1: On hook data transmission. | 66 | 34 | 1000 |
| Mexico | Yes | None | [1] Mexico general Specification, June 9, 1993 | 60 | 40 | 700 |
| New Zealand | No (UK-based telephony with Australian tones) | None | [1] PABX External Port Interface Requirements PTC 107: 1989 ISSUE 1. [2] Specification PTC 200 Requirements for Connection of Customer Equipment to Analogue Lines. [3] PTC220 Requirements for Private Voice Networks connected to the PSTN/ISDN DRAFT FOR COMMENT 12 February 2003. [4] The document "TNA 102: June 1996". [5] The document "TNA102 - Amendment to Section 10 and new Section 12.pdf". | 66 | 34 | 740 |
| North America | Yes | None | [1] TIA/EIA-716: Telecommunications Telephone Terminal Equipment – Type 1 Caller Identity Equipment Performance Requirements. [2] AN84 – Digital Hybrid with the Si3050 DAA. [3] si3050.pdf | 60 | 40 | 700 |
| Poland | Yes | None | [1] Polish ASS_1_v1.doc [2] ITU-T Telecommunication Standardization Sector of ITU Supplement2 Series E 01/94 | 66 | 33 | 700 |
| PRC | Yes | DTMF CLID NOT supported on GATI or Legacy GATM4/8 | [1] Feature Description and Detailed Design Description documents of the existing GATI firmware [2] AN84 Digital Hybrid with the Si305x DAAs.pdf [3] si3050.pdf [4] Chapter-8-done.doc [5] PRC Fixed Telephone Network Caller Identity Delivery (YDT1277.1-2003).doc [6] PRC Ringing and Tone for Telephone Automatic Switching Network (GB3380-82).doc | 34 | 66 | 700 |
| | | | | | | |

Table 66 Localization, PSTN standards, and pulse dialing parameters (Sheet 3 of 3)

| Market profile | Localized | Differences between GATI, G4x16/G8x16, New GATM4/8, and Legacy GATM4/8 | PSTN Standards, Specifications Referenced | Pulse Dialing (ms) | | |
|----------------|-----------|------------------------------------------------------------------------|------------------------------------------------------------------------------------------------------------------------------------------------------------------------------------------------------------------------------------------------------------------------------------------------------|--------------------|-----------|-----------------|
| | | | | Break time | Make time | Interdigit time |
| Russia | Yes | Legacy GATM4/8 not supported | [1] OGSTFS – Russian PSTN specs [2] si3050.pdf [3]AN84 Digital Hybrid with the Si305x DAAs.pdf | 60 | 67 | 60 |
| South Africa | Yes | Legacy GATM4/8 not supported | [1]S_Africa_Specs.pdf [2]ICASA TE-010.doc [3] si3050.pdf [4]AN84 Digital Hybrid with the Si305x DAAs.pdf | 40 | 33 | 40 |
| Spain | Yes | Legacy GATM4/8 not supported | [1]M1_Analogue_Trunk_Card_Spain.pdf [2]Public Switched Telephone Network Analogue Line interface specification “Interfaz_de_telefonica_de_Espa_a-v5_Eng.doc” [3] si3050.pdf [4]AN84 Digital Hybrid with the Si305x DAAs.pdf | 600 | 950 | 200 |
| Taiwan | Yes | None | [1] Technical Specifications for Terminal Equipment for Connection to Public Switched Telephone Network, PSTN01, September 27, 2001 | 66 | 33 | 800 |
| United Kingdom | Yes | None | [1] BT Public Switched Telephone Network (PSTN): SIN352 [2] BT Public Switched Telephone Network (PSTN): SIN227 +AC7 [3] BT Public Switched Telephone Network (PSTN): SIN242 [4] AN84 – Digital Hybrid with the Si3050 DAA [5] Si3050/Si3019 Global Voice/Data Direct Access Arrangement | 66 | 34 | 740 |

Table 67 Transmission parameters (Sheet 1 of 2)

| Market profile | Transmission | | | | |
|----------------|-------------------|-----------------------------------------|-----------------------------------|----------------------------------|----------------------------------|
| | PCM coding scheme | AC impedance | Loop length adjustment capability | Tx CO gain (short, medium, long) | Rx CO gain (short, medium, long) |
| Australia | A-law | 220 Ω + (820 Ω 120 nF) | No | (N/A, 0, N/A) | (N/A, 6 dB, N/A) |
| Bahrain | A-law | 900 Ω + 2.16 μ F | Yes | (0, 3 dB, 3 dB) | (3, 3 dB, 6 dB) |
| Brazil | A-law | 600 Ω /900 Ω | Yes | (-3 dB, 0, 0) | (0, 0, 3 dB) |
| CALA | A-law | 600 Ω | Yes | (-3 dB, 0, 0) | (0, 0, 3 dB) |
| Canada | mu-law | 600 Ω | Yes | (-3 dB, 0, 0) | (0, 0, 3 dB) |
| Caribbean | mu-law | 600 Ω | Yes | (-3 dB, 0, 0) | (0, 0, 3 dB) |
| Global | A-law | 600 Ω | Yes | (0, 3 dB, 3 dB) | (3 dB, 3 dB, 6 dB) |

Table 67 Transmission parameters (Sheet 2 of 2)

| Market profile | Transmission | | | | |
|----------------|-------------------|------------------------------------------|-----------------------------------|----------------------------------|----------------------------------|
| | PCM coding scheme | AC impedance | Loop length adjustment capability | Tx CO gain (short, medium, long) | Rx CO gain (short, medium, long) |
| Hong Kong | mu-law | 600 Ω | No | (N/A, 0, N/A) | (N/A, 6 dB, N/A) |
| Ireland | A-law | 270 Ω + (750 Ω 150 nF) | Yes | (0, 3 dB, 3 dB) | (3 dB, 3 dB, 6 dB) |
| Mexico | A-law | 600 Ω | Yes | (0, 3 dB, 3 dB) | (3 dB, 3 dB, 6 dB) |
| New Zealand | A-law | 320 Ω + (1050 Ω 230 nF) | No | (N/A, 3 dB, N/A) | (N/A, 3 dB, N/A) |
| North America | mu-law | 600 Ω | Yes | (-3 dB, 0, 0) | (0, 0, 3 dB) |
| Poland | A-law | 600 Ω | No | (N/A, 3 dB, N/A) | (N/A, 3 dB, N/A) |
| PRC | A-law | 600 Ω | Yes | (-3 dB, 0, 0) | (0, 0, 3 dB) |
| Russia | A-law | 600 Ω | Yes | | |
| South Africa | A-law | 220 Ω + (820 Ω 115 nF) | No | | |
| Spain | A-law | 270 Ω + (750 Ω 150 nF) | No | | |
| Taiwan | u-law | 600 Ω | Yes | (-3 dB, 0, 0) | (0, 0, 3 dB) |
| United Kingdom | A-law | 320 Ω + (1050 Ω 230 nF) | No | (N/A, 3 dB, N/A) | (N/A, 3 dB, N/A) |

Table 68 Call supervision parameters (Sheet 1 of 2)

| Market profile | Call supervision | | | | |
|----------------|----------------------|---------------|-------------------------|-------------------|------------------------------|
| | Link/flash time (ms) | OSI time (ms) | Force on-hook time (ms) | Wetting time (ms) | Ring confirmation count (ms) |
| Australia | 100 | 100 | 1600 | 0 | 150 |
| Bahrain | 600 | 100 | 1600 | N/A | 256 |
| Brazil | 300 | 100 | 2000 | N/A | 256 |
| CALA | 600 | 100 | 1500 | N/A | 256 |
| Canada | 600 | 100 | 1600 | N/A | 256 |
| Caribbean | 600 | 100 | 1600 | N/A | 256 |
| Global | 600 | 100 | 1500 | N/A | 256 |
| Hong Kong | 500 | 100 | 1000 | N/A | 256 |
| Ireland | 150 | 100 | 2000 | N/A | 200 |
| Mexico | 600 | 100 | 1600 | N/A | 256 |
| New Zealand | 90 | 100 | 1600 | 15 | 200 |
| North America | 600 | 100 | 1600 | N/A | 256 |
| Poland | 500 | 500 | 1800 | N/A | 256 |
| PRC | 600 | 100 | 1600 | N/A | 256 |
| Russia | 100 | 100 | 400 | 0 | 256 |

Table 68 Call supervision parameters (Sheet 2 of 2)

| Market profile | Call supervision | | | | |
|----------------|----------------------|---------------|-------------------------|-------------------|------------------------------|
| | Link/flash time (ms) | OSI time (ms) | Force on-hook time (ms) | Wetting time (ms) | Ring confirmation count (ms) |
| South Africa | 100 | 100 | 1600 | 0 | 256 |
| Spain | 120 | 100 | 1600 | 0 | 256 |
| Taiwan | 600 | 100 | 1600 | 0 | 256 |
| United Kingdom | 90 | 100 | 1600 | 15 | 200 |

Table 69 On-hook caller ID, disconnect supervision, and message waiting parameters (Sheet 1 of 2)

| Market profile | On-hook caller ID | | Disconnect supervision | | | Message waiting | | |
|----------------|-------------------|-------------------------------------------------------------------|------------------------|----------------------------------------------------------------------------|---------------------------------------|-----------------|------------------|-------------------|
| | FSK | DTMF (Start Digit, Stop Digit) | OSI | Busy tone | Line reversal | FSK | Voltage reversal | Stutter dial tone |
| Australia | Bellcore | Not supported | No | No | ROI and ROA | Supported | Not supported | Not supported |
| Bahrain | ETSI | Not supported | No | Supported (425 ±10% Hz, 380 ±10% on/ 380 ±10%off) | No | Supported | Not supported | Not supported |
| Brazil | Not supported | Supported (A,C). NOTE: Not Supported on GATI or Legacy GATM4/8 | No | Supported (425 ± 25 Hz, 250 ms On / 250 ms Off ± 10%) | No | Supported | Not supported | Not supported |
| CALA | Bellcore | Not supported | Yes | No | No | Supported | Not supported | Not supported |
| Canada | Bellcore | Not supported | Yes | No | No | Supported | Not supported | Not supported |
| Caribbean | Bellcore | Not supported | Yes | No | No | Supported | Not supported | Not supported |
| Global | Bellcore | Not supported | Yes | No | No | Supported | Not supported | Not supported |
| Hong Kong | Bellcore | Not supported | No | Supported (480 ± 10 Hz and 620 ± 10 Hz, 500 ± 100 ms On / 500 ± 80 ms Off) | Yes (NOT supported on Legacy GATM4/8) | Supported | Not supported | Not supported |
| Ireland | ETSI | Not supported | No | Supported (425 Hz ± 25%, 450 ms On/ 450 ms Off ± 23%) | No | Supported | Not supported | Not supported |
| Mexico | ETSI | Not supported | No | Supported (425 Hz, 250 ms On/ 250 ms Off) | No | Supported | Not supported | Not supported |

Table 69 On-hook caller ID, disconnect supervision, and message waiting parameters (Sheet 2 of 2)

| Market profile | On-hook caller ID | | Disconnect supervision | | | Message waiting | | |
|----------------|-------------------|------------------------------------------------------------------|-------------------------------|--------------------------------------------------------------------------|------------------------------------|-----------------|------------------|-------------------|
| | FSK | DTMF (Start Digit, Stop Digit) | OSI | Busy tone | Line reversal | FSK | Voltage reversal | Stutter dial tone |
| New Zealand | ETSI | Not supported | Yes (500 ms UK Guarded Clear) | No | No | Supported | Not supported | Not supported |
| North America | Bellcore | Not supported | Yes | No | No | Supported | Not supported | Not supported |
| Poland | ETSI | Not supported | No | Supported in unsupervised mode (425 Hz, 500 ms On/ 500 ms Off) | Supported in supervised mode | Supported | Not supported | Not supported |
| PRC | Bellcore | Supported (A/C) NOTE: Not Supported on GAT1 or Legacy GATM4/8 | No | Supported (450 ± 25 Hz, 350 ms On/350 ms Off ± 10%) | No | Supported | Not supported | Not supported |
| Russia | ETSI | Not supported | No | Supported (425 ± 50 Hz, 400 ms On/400 ms Off ± 100ms) | No | Supported | Not Supported | Not Supported |
| South Africa | ETSI | Not supported | No | Supported in Supervised Mode (400 ± 25 Hz, 500 ms On/500 ms Off ± 100ms) | Yes (Supported in Supervised mode) | Supported | Not Supported | Not Supported |
| Spain | ETSI | Not supported | No | No | Yes (Supported in Supervised mode) | Supported | Not Supported | Not Supported |
| Taiwan | ETSI | Supported (D, C) | No | Supported (480 + 620 Hz, 500 ms On/ 500 ms Off) | No | Supported | Not supported | Not supported |
| United Kingdom | ETSI | Not supported | Yes (500 ms UK Guarded Clear) | No | No | Supported | Not supported | Not supported |

GASM8 parameters

This section contains information for the GASM8 MBM.

Global analog stations are not supported in the following market profiles: Brazil, CALA, Denmark, France, Germany, Holland, Italy, Norway, PRC, Spain, Sweden, Switzerland, and Taiwan.

The GASM8 parameters are provided in the following tables:

- [Localization, DIP switch settings, specifications, and transmission parameters](#) on page 277
- [Loop interface and call supervision parameters](#) on page 278
- [Dial pulse and DTMF parameters](#) on page 278
- [MWI, On-hook Caller Id, Disconnect Supervision](#) on page 279

Table 70 Localization, DIP switch settings, specifications, and transmission parameters

| Market profile | Localized | DIP switch setting | Specifications | Transmission | | |
|----------------|-----------------------------------------------|--------------------|-----------------------------------------------------------------------------------------------------------------------------------------------------|-----------------------------------------------|------------------------------------------------|-------------------|
| | | | Standards used | Terminal Input impedance | Nominal Network Input Impedance | PCM coding scheme |
| Australia | Yes | Australia | TS 003 TCE2 | 220 Ω + (820 Ω 120 nF) | 220 Ω + (820 Ω 120 nF) | A-law |
| Bahrain | No (North American Based A-Law) | North America | N/A | 600 Ω | 600 Ω | A-law |
| Canada | Yes | North America | Refer to North America Specs | 600 Ω | 600 Ω | mu-law |
| Caribbean | Yes | North America | Refer to North America Specs | 600 Ω | 600 Ω | mu-law |
| Global | No (North American based A-law) | North America | N/A | 600 Ω | 600 Ω | A-law |
| Hong Kong | No (North American based mu-law) | North America | N/A | 600 Ω | 600 Ω | mu-law |
| Ireland | No (UK-Based) | UK | N/A | 370 Ω + (620 Ω 310 nF) | 300 Ω + (1000 Ω 220 nF) | A-Law |
| Mexico | No (North American based A-law) | North America | N/A | 600 Ω | 600 Ω | A-law |
| New Zealand | No (UK-based telephony with Australian tones) | UK | N/A | 370 Ω + (620 Ω 310 nF) | 300 Ω + (1000 Ω 220 nF) | A-law |
| North America | Yes | North America | EIA/TIA-464A CS-03 Part I T512.1 T512.2 | 600 Ω | 600 Ω | mu-law |
| Poland | Yes | Poland | [1] Polish ASS_1_v1.doc 2] Technical Requirements for Private Automatic Branch Exchanges. Reference Analog interfaces11.doc | 600 Ω | 600 Ω | A-law |
| United Kingdom | Yes | UK | BS 6450 Part 4 BTNR 1080 EN 41003 AnnexD BS 6305 BTNR 315 | 370 Ω + (620 Ω 310 nF) | 300 Ω + (1000 Ω 220 nF) | A-law |

Table 71 Loop interface and call supervision parameters

| Market profile | Loop interface | | | | Call supervision | | | | Disconnect Supervision OSI Time (ms) |
|----------------|---------------------|-----------------------|------------------------------------|-------------------------|--------------------------|--------------------------|------------------------------|-------------------------|--------------------------------------|
| | Ring frequency (Hz) | Ring amplitude (Vrms) | Loop Current Detect Threshold (mA) | Loop current limit (mA) | Min. seize duration (ms) | Min answer duration (ms) | Min/max recall duration (ms) | Min clear duration (ms) | |
| Australia | 25 | 65 | 18 | 32 | 200 | 50 | 30/150 | 1500 | 800 |
| Bahrain | 20 | 65 | 18 | 32 | 150 | 25 | 250/1100 | 1400 | 850 |
| Canada | 20 | 65 | 18 | 32 | 150 | 25 | 250/1100 | 1400 | 850 |
| Caribbean | 20 | 65 | 18 | 32 | 150 | 25 | 250/1100 | 1400 | 850 |
| Global | 20 | 65 | 18 | 32 | 150 | 25 | 250/1100 | 1400 | 850 |
| Hong Kong | 20 | 65 | 18 | 32 | 150 | 25 | 250/1100 | 1400 | 850 |
| Ireland | 25 | 65 | 18 | 32 | 200 | 50 | 15/150 | 1500 | 850 |
| Mexico | 20 | 65 | 18 | 32 | 150 | 25 | 250/1100 | 1400 | 850 |
| New Zealand | 25 | 65 | 18 | 32 | 200 | 50 | 15/150 | 1500 | 850 |
| North America | 20 | 65 | 18 | 32 | 150 | 25 | 250/1100 | 1400 | 850 |
| Poland | 25 | 65 | 18 | 32 | 180 | 80 | 75/520 | 680 | 800 |
| United Kingdom | 25 | 65 | 18 | 32 | 200 | 50 | 15/150 | 1500 | 850 |

Table 72 Dial pulse and DTMF parameters

| Market profile | Dial pulse | | | | DTMF | |
|----------------|--------------------------|-----------------------------|----------------------------|------------------------------------|-----------------------------|----------------------------|
| | Dial pulse coding scheme | Min/max break duration (ms) | Min/max make duration (ms) | Min interdigit pause duration (ms) | DTMF coding scheme (digits) | Min DTMF detect level (dB) |
| Australia | N | 40/90 | 20/60 | 300 | 16 | -36 |
| Bahrain | N | 25/120 | 10/90 | 250 | 12 | -36 |
| Canada | N | 25/120 | 10/90 | 250 | 12 | -36 |
| Caribbean | N | 25/120 | 10/90 | 250 | 12 | -36 |
| Global | N | 25/120 | 10/90 | 250 | 12 | -36 |
| Hong Kong | N | 25/120 | 10/90 | 250 | 12 | -36 |
| Ireland | N | 15/200 | 15/200 | 200 | 16 | -36 |
| Mexico | N | 25/120 | 10/90 | 250 | 12 | -36 |
| New Zealand | N | 15/200 | 15/200 | 200 | 16 | -36 |
| North America | N | 25/120 | 10/90 | 250 | 12 | -36 |
| Poland | N | 44/88 | 25/48 | 400 | 12 | -36 |
| United Kingdom | N | 15/200 | 15/200 | 200 | 16 | -36 |

Table 73 MWI, On-hook Caller Id, Disconnect Supervision

| Market profile | MWI | | | | On-hook Caller Id | Disconnect Supervision | | |
|----------------|-------------------|--------------------|-----------|---------------|---------------------|------------------------|---------------|---------------|
| | High Voltage (HV) | Line Reversal (LR) | Tone | Class MWI | FSK support | OSI | Busy Tone | Line Reversal |
| Australia | Supported 110 V | Not supported | Supported | Not supported | Yes - AUSTEL TS 030 | Supported | Not supported | Not supported |
| Bahrain | Supported 120 V | Not supported | Supported | Not supported | Yes - Bellcore | Supported | Not supported | Not supported |
| Canada | Supported 120 V | Not supported | Supported | Not supported | Yes - Bellcore | Supported | Not supported | Not supported |
| Caribbean | Supported 120 V | Not supported | Supported | Not supported | Yes - Bellcore | Supported | Not supported | Not supported |
| Global | Supported 120 V | Not supported | Supported | Not supported | Yes - Bellcore | Supported | Not supported | Not supported |
| Hong Kong | Supported 120 V | Not supported | Supported | Not supported | Yes - Bellcore | Supported | Not supported | Not supported |
| Ireland | Not supported | Supported | Supported | Not supported | Yes - BT-SIN227 | Supported | Not supported | Not supported |
| Mexico | Supported 120 V | Not supported | Supported | Not supported | Yes - Bellcore | Supported | Not supported | Not supported |
| New Zealand | Not supported | Supported | Supported | Not supported | Yes - BT-SIN227 | Supported | Not supported | Not supported |
| North America | Supported 120 V | Not supported | Supported | Not supported | Yes - Bellcore | Supported | Not supported | Not supported |
| Poland | Supported 110 V | Not supported | Supported | Not supported | Yes - ETSI | Supported | Not supported | Not supported |
| United Kingdom | Not supported | Supported | Supported | Not supported | Yes - BT-SIN227 | Supported | Not supported | Not supported |

GASI parameters

This section contains information for the onboard GASI interface.

GASI interfaces are not supported in the following market profiles: Australia, Bahrain, Brazil, CALA, Denmark, France, Germany, Holland, Ireland, Italy, Mexico, New Zealand, Norway, Poland, PRC, Spain, Sweden, Switzerland, Taiwan, UK.

Note that the GASI currently has not been localized for markets except North America. The GASI will function in some profiles outside of North America; however, the interface will respond with North American characteristics.

The GASI parameters are provided in the following tables.

Table 74 GASI parameters (Sheet 1 of 2)

| Aspect | Parameter | Market Profile | | | | |
|-------------------|----------------------------------------|-----------------|-----------------|---------------------------------|---------------------------------|-----------------|
| | | Canada | Caribbean | Global | Hong Kong | North America |
| Market Support | Localized? | Yes | Yes | No (North American Based A-Law) | No (North American Based A-Law) | Yes |
| Transmission | Terminal Input Impedance | 600 Ω | 600 Ω | 600 Ω | 600 Ω | 600 Ω |
| | Nominal Network Input Impedance | 600 Ω | 600 Ω | 600 Ω | 600 Ω | 600 Ω |
| | PCM Coding Scheme | mu-Law | mu-Law | A-Law | mu-Law | mu-Law |
| Loop Interface | Ringing Frequency (Hz) | 20 | 20 | 20 | 20 | 20 |
| | Ringing Amplitude (Vrms) | 63 | 63 | 63 | 63 | 63 |
| | Loop Current Detect Threshold (mA) | 10.16 | 10.16 | 10.16 | 10.16 | 10.16 |
| | Loop Current Limit (mA) | 26 | 26 | 26 | 26 | 26 |
| Call Supervision | Minimum Seize Duration (ms) | 200 | 200 | 200 | 200 | 200 |
| | Minimum Answer Duration (ms) | 10 | 10 | 10 | 10 | 10 |
| | Minimum/Maximum Recall Duration (ms) | 250/1100 | 250/1100 | 250/1100 | 250/1100 | 250/1100 |
| | Minimum Clear Duration (ms) | 1400 | 1400 | 1400 | 1400 | 1400 |
| | Disconnect Supervision OSI Time (ms) | 800 | 800 | 800 | 800 | 800 |
| Dial Pulse | Dial Pulse Coding Scheme | N | N | N | N | N |
| | Minimum/Maximum Break Duration (ms) | 25/120 | 25/120 | 25/120 | 25/120 | 25/120 |
| | Minimum/Maximum Make Duration (ms) | 10/90 | 10/90 | 10/90 | 10/90 | 10/90 |
| | Minimum Interdigit Pause Duration (ms) | 250 | 250 | 250 | 250 | 250 |
| DTMF | DTMF Coding Scheme (digits) | 16 | 16 | 16 | 16 | 16 |
| | Min DTMF Detect Level (A) (dBm) | -27 | -27 | -27 | -27 | -27 |
| MWI | High Voltage (HV) | Supported - 95V | Supported - 95V | Supported - 95V | Supported - 95V | Supported - 95V |
| | Line Reversal (LR) | Not Supported | Not Supported | Not Supported | Not Supported | Not Supported |
| | Tone | Supported | Supported | Supported | Supported | Supported |
| | Class MWI | Not Supported | Not Supported | Not Supported | Not Supported | Not Supported |
| On-hook Caller ID | FSK Support | Yes - Bellcore | Yes - Bellcore | Yes - Bellcore | Yes - Bellcore | Yes - Bellcore |

Table 74 GASI parameters (Sheet 2 of 2)

| Aspect | Parameter | Market Profile | | | | |
|------------------------|----------------|------------------------------|------------------------------|---------------|---------------|--------------------------------------------------|
| | | Canada | Caribbean | Global | Hong Kong | North America |
| Disconnect Supervision | OSI | Supported | Supported | Supported | Supported | Supported |
| | Busy Tone | Not Supported | Not Supported | Not Supported | Not Supported | Not Supported |
| | Line Reversal | Not Supported | Not Supported | Not Supported | Not Supported | Not Supported |
| Specifications | Standards used | Refer to North America Specs | Refer to North America Specs | N/A | N/A | EIA/TIA-464A CS-03 Part I T512.1 T512.2 |

ATA2 parameters

This section contains information for the ATA2 device. The ATA2 is either DR6 or DR7 mode. The mode is determined by the region in which you are located, and is not a modifiable user preference. Refer to the following tables for a list of parameters in each mode.

- [ATA2 DR6 Market Support, Transmission, Loop Interface, Call Supervision, and Dial Pulse parameters](#) on page 281
- [ATA2 DR7 Market Support, Transmission and Loop Interface parameters](#) on page 283
- [ATA2 DR7 Call Supervision, Dial Pulse, and DTMF parameters](#) on page 284

ATA2 DR6

Table 75 ATA2 DR6 Market Support, Transmission, Loop Interface, Call Supervision, and Dial Pulse parameters (Sheet 1 of 2)

| Market profile | Market Support | Transmission | Loop Interface | Call Supervision | | Dial Pulse | | |
|----------------|----------------------------------|--------------------------------------------------------|---------------------|------------------|-----------|--------------------------|---------------|--------------|
| | | | | Duration (ms) | | Dial Pulse Coding Scheme | Duration (ms) | |
| | Localized? | Terminal Input Impedance | Ring Frequency (Hz) | Min/Max Recall | Min Clear | | Min/Max Break | Min/Max Make |
| Australia | Yes | $220\ \Omega + (820\ \Omega \parallel 120\ \text{nF})$ | 25 | 10/150 | 310 | N | 20/125 | 10/230 |
| Bahrain | No (North American Based A-Law) | $600\ \Omega$ | 20 | 290/1010 | 1500 | N | 20/130 | 15/130 |
| Canada | Yes | $600\ \Omega$ | 20 | 290/1010 | 1500 | N | 20/130 | 15/130 |
| Caribbean | Yes | $600\ \Omega$ | 20 | 290/1010 | 1500 | N | 20/130 | 15/130 |
| Global | No (North American Based A-Law) | $600\ \Omega$ | 20 | 290/1010 | 1500 | N | 20/130 | 15/130 |
| Hong Kong | No (North American Based mu-Law) | $600\ \Omega$ | 20 | 290/1010 | 1500 | N | 20/130 | 15/130 |

Table 75 ATA2 DR6 Market Support, Transmission, Loop Interface, Call Supervision, and Dial Pulse parameters (Sheet 2 of 2)

| Market profile | Market Support | Transmission | Loop Interface | Call Supervision | | Dial Pulse | | |
|----------------|----------------------------------|-------------------------------------------------------|------------------------|------------------|-----------|--------------------------|---------------|--------------|
| | Localized? | Terminal Input Impedance | Ringing Frequency (Hz) | Duration (ms) | | Dial Pulse Coding Scheme | Duration (ms) | |
| | | | | Min/Max Recall | Min Clear | | Min/Max Break | Min/Max Make |
| Ireland | No (UK based) | $300 \Omega + (1000 \Omega \parallel 220 \text{ nF})$ | 25 | 10/150 | 310 | N | 20/125 | 10/230 |
| Mexico | No (North American Based A-Law) | 600Ω | 20 | 290/1010 | 1500 | N | 20/130 | 15/130 |
| New Zealand | No (UK Based) | $300 \Omega + (1000 \Omega \parallel 220 \text{ nF})$ | 25 | 10/150 | 310 | N | 20/125 | 10/230 |
| North America | Yes | 600Ω | 20 | 290/1010 | 1500 | N | 20/130 | 15/130 |
| PRC | No (North American Based A-Law) | 600Ω | 20 | 290/1010 | 1500 | N | 20/130 | 15/130 |
| Taiwan | No (North American Based mu-Law) | 600Ω | 20 | 290/1010 | 1500 | N | 20/130 | 15/130 |
| United Kingdom | Yes | $300 \Omega + (1000 \Omega \parallel 220 \text{ nF})$ | 25 | 10/150 | 310 | N | 20/125 | 10/230 |

ATA2 DR7

Table 76 ATA2 DR7 Market Support, Transmission and Loop Interface parameters

| Market profile | Market Support | Transmission | | Loop Interface | | | |
|----------------|----------------|------------------------------------------------|-------------------|-------------------------|---------------------------|------------------------------------|-------------------------|
| | Localized? | Terminal Input Impedance | PCM Coding Scheme | Ringling Frequency (Hz) | Ringling Amplitude (Vrms) | Loop Current Detect Threshold (mA) | Loop Current Limit (mA) |
| Brazil | Yes | 900 Ω | A-Law | 25 | 75 | 18 | 85 |
| CALA | Yes | 900 W | A-Law | 25 | 75 | 18 | 85 |
| Denmark | Yes | 300 Ω + (1000 Ω 220 nF) | A-Law | 25 | 75 | 12 | 85 |
| France | Yes | 210 Ω + (1020 Ω 140 nF) | A-Law | 25 | 75 | 6 | 65 |
| Germany | Yes | 220 Ω + (820 Ω 110 nF) | A-Law | 25 | 75 | 6 | 55 |
| Holland | Yes | 300 Ω + (1000 Ω 220 nF) | A-Law | 25 | 75 | 12 | 55 |
| Italy | Yes | 180 Ω + (620 Ω 62 nF) | A-Law | 25 | 75 | 6 | 23 |
| Norway | Yes | 120 Ω + (840 Ω 110 nF) | A-Law | 25 | 75 | 12 | 85 |
| Poland | Yes | 220 Ω + (820 Ω 120 nF) | A-Law | 50 | 80 | 18 | 40 |
| Spain | Yes | 220 Ω + (820 Ω 120 nF) | A-Law | 25 | 75 | 6 | 55 |
| Sweden | Yes | 200 Ω + (1000 Ω 200 nF) | A-Law | 25 | 75 | 12 | 30 |
| Switzerland | Yes | 220 Ω + (820 Ω 120 nF) | A-Law | 25 | 75 | 6 | 55 |

Table 77 ATA2 DR7 Call Supervision, Dial Pulse, and DTMF parameters

| Market profile | Call Supervision | | | | Dial Pulse Coding Scheme | Dial Pulse | | | DTMF | |
|----------------|------------------|------------|----------------|-----------|--------------------------|---------------|--------------|----------------------|-----------------------------|----------------------------------|
| | Duration (ms) | | | | | Duration (ms) | | | DTMF Coding Scheme (digits) | Min DTMF Detect Level (A) (dBm0) |
| | Min Seize | Min Answer | Min/Max Recall | Min Clear | | Min/Max Break | Min/Max Make | Min Interdigit Pause | | |
| Brazil | 200 | 50 | 250/1100 | 750 | N | 40/90 | 15/55 | 250 | 16 | -25 |
| CALA | 200 | 50 | 250/1100 | 750 | N | 40/90 | 15/55 | 250 | 16 | -25 |
| Denmark | 200 | 50 | 80/140 | 750 | N | 15/200 | 15/200 | 200 | 16 | -25 |
| France | 140 | 50 | 220/320 | 225 | N | 60/75 | 25/40 | 800 | 16 | -25 |
| Germany | 150 | 50 | 80/120 | 225 | N | 50/70 | 30/50 | 650 | 16 | -25 |
| Holland | 200 | 50 | 90/130 | 750 | N | 30/70 | 25/80 | 400 | 16 | -25 |
| Italy | 150 | 50 | 80/140 | 225 | N | 50/70 | 30/50 | 700 | 16 | -25 |
| Norway | 200 | 50 | 80/150 | 750 | N | 30/70 | 25/80 | 400 | 16 | -40 |
| Poland | 200 | 50 | 25/150 | 750 | N | 40/90 | 20/60 | 300 | 16 | -25 |
| Spain | 150 | 50 | 80/140 | 225 | N | 60/75 | 25/40 | 450 | 16 | -25 |
| Sweden | 200 | 50 | 30/150 | 125 | N+1 | 30/70 | 25/80 | 450 | 16 | -28 |
| Switzerland | 150 | 50 | 80/140 | 225 | N | 50/70 | 30/50 | 350 | 16 | -25 |

Voicemail

The following voicemail parameter values are the same for all countries

- AMIS Address Start Key: #
- Country Key Language Toggle: 9
- Country Key Operator Revert: 0
- Maximum CLID Entry: 16
- Maximum Network DN Length: 16
- Maximum Packet Network DN Length: 8
- Broadcast Key Event: 9

See the table [Voicemail parameters, by country](#) on page 285 for the remaining voicemail parameters.

Table 78 Voicemail parameters, by country (Sheet 1 of 2)

| Market | Country Login Mailbox Key | Alternate QZ Mapping | Default Language | Enable Touch Tone Gate | Local Number Length | Maximum CLID Display | National Number Length |
|---------------|---------------------------|----------------------|------------------------|------------------------|---------------------|----------------------|------------------------|
| Argentina | 8 | YES | Spanish | NO | 8 | 16 | 12 |
| Australia | 8 | YES | Australian English | NO | 8 | 8 | 9 |
| Austria | * | YES | German | NO | 7 | 16 | 11 |
| Bahrain | * | YES | Arabic | NO | 6 | 16 | 6 |
| Brazil | ** | YES | North American English | NO | 8 | 8 | 10 |
| Cala | ** | YES | Spanish | NO | 8 | 8 | 8 |
| Caribbean | ** | NO | North American English | NO | 7 | 7 | 10 |
| Chile | 8 | YES | Spanish | NO | 7 | 16 | 11 |
| Columbia | 8 | YES | Spanish | NO | 7 | 16 | 12 |
| Czech | * | YES | Czech | NO | 7 | 16 | 11 |
| Denmark | 8 | YES | Danish | NO | 8 | 8 | 11 |
| Finland | 8 | YES | Finnish | NO | 9 | 16 | 11 |
| France | 8 | YES | Euro French | NO | 7 | 7 | 14 |
| Germany | 8 | YES | German | NO | 7 | 7 | 11 |
| Global | 8 | YES | North American English | NO | 7 | 16 | 11 |
| Holland | 8 | YES | Dutch | NO | 7 | 7 | 11 |
| Hong Kong | ** | NO | North American English | NO | 11 | 9 | 10 |
| India | * | YES | United Kingdom English | NO | 7 | 16 | 14 |
| Indonesia | * | YES | United Kingdom English | NO | 7 | 16 | 10 |
| Ireland | * | YES | United Kingdom English | NO | 7 | 16 | 10 |
| Italy | 8 | YES | Italian | NO | 7 | 7 | 11 |
| Malaysia | * | YES | United Kingdom English | NO | 8 | 16 | 10 |
| Mexico | * | YES | Spanish | NO | 7 | 16 | 10 |
| New Zealand | 8 | YES | Australian English | NO | 7 | 16 | 8 |
| North America | ** | NO | North American English | NO | 7 | 16 | 10 |

Table 78 Voicemail parameters, by country (Sheet 2 of 2)

| Market | Country Login Mailbox Key | Alternate QZ Mapping | Default Language | Enable Touch Tone Gate | Local Number Length | Maximum CLID Display | National Number Length |
|---------------------|---------------------------|----------------------|------------------------|------------------------|---------------------|----------------------|------------------------|
| Norway | 8 | YES | Norwegian | NO | 7 | 16 | 11 |
| Pakistan | * | YES | United Kingdom English | NO | 7 | 16 | 12 |
| Panama | 8 | YES | Spanish | NO | 7 | 16 | 7 |
| Peru | 8 | YES | Spanish | NO | 7 | 16 | 9 |
| Philippines | * | YES | Spanish | NO | 7 | 16 | 11 |
| Portugal | 8 | YES | Portuguese | NO | 7 | 16 | 9 |
| Poland | * | YES | Polish | NO | 7 | 16 | 11 |
| POC | ** | NO | Mandarin | NO | 11 | 9 | 10 |
| Qatar | * | YES | Arabic | NO | 6 | 16 | 6 |
| Romania | 8 | YES | German | NO | 7 | 16 | 8 |
| Russia | * | YES | Russian | NO | 7 | 16 | 12 |
| Saudi Arabia | * | YES | Arabic | NO | 7 | 16 | 8 |
| Singapore | * | YES | United Kingdom English | NO | 8 | 16 | 8 |
| South Africa | * | YES | United Kingdom English | NO | 7 | 16 | 12 |
| South Korea | * | YES | Korean | NO | 7 | 16 | 10 |
| Spain | 8 | YES | Euro Spanish | NO | 7 | 7 | 11 |
| Sweden | 8 | YES | Swedish | NO | 8 | 8 | 11 |
| Switzerland | 8 | YES | German | NO | 7 | 7 | 11 |
| Taiwan | ** | NO | Mandarin | NO | 7 | 7 | 12 |
| Thailand | * | YES | Thai | NO | 7 | 16 | 10 |
| UK | 8 | YES | United Kingdom English | YES | 11 | 9 | 11 |
| United Arab Emirate | * | YES | Arabic | NO | 6 | 16 | 8 |
| Uruguay | 8 | YES | Spanish | NO | 6 | 16 | 10 |
| Venezuela | 8 | YES | Spanish | NO | 7 | 16 | 9 |

ISDN line services

The table [ISDN line services](#) on page 287 shows the ISDN private network services that are supported by BCM50. The table [ISDN services by Protocol](#) on page 287 shows the network-based ISDN supplementary services and the features available for each.

Table 79 ISDN line services

| MCDN over PRI (SL-1) | DPNSS | DASS2 | ETSI QSIG |
|------------------------------------------------------------------------------------------------------------------------------------------------------------------------------------------------------------------------------------------------------------------------------------------------------------------------------------------------------------|-------------------------------------------------------------------------------------------------------------------------------------------------------------------------------------------------------------------------------------------------------------------------------------------------|-----------------------------------------------------------------------------------------------------------------------------------------------------------------------------------------------------------------------------------------------------------|---------------------------------------------------------------------------------------------------------------------------------|
| <ul style="list-style-type: none"> • Basic Call • DDI • Name display • Number display • Centralized voice mail • Camp-on • ISDN Call Connection Limit • Network Call Transfer • Break-in • Trunk Route Optimization (TRO) • Trunk Anti-Tromboning | <ul style="list-style-type: none"> • Basic Call • DDI • Diversion • Redirection • Centralized voice mail • Call Offer • Loop avoidance • Executive Intrusion • Three Party • Route Optimization | <ul style="list-style-type: none"> • Basic Call • DDI • Originating line identity (OLI) • Terminating Line Identity (TLI) • Call Charge Indication (CCI) • Call Charge Rate Indication (CCRD) | <ul style="list-style-type: none"> • Basic Call • DDI • Name display • Number display |

Table 80 ISDN services by Protocol

| Protocol | Market profile | | Available ISDN services | |
|-------------|----------------|------------------|-------------------------------------------|--------------------------------------------------|
| • NI | • Caribbean | • North America | • Basic Call | • Number display |
| | | | • DID | • ONN blocking |
| | | | • Name display | |
| • ETSI Euro | • Australia | • Italy | • Basic Call | • AOC-E (specific changes for Holland and Italy) |
| | • CALA | • Norway | • DDI | • MCID |
| | • Denmark | • PRC | • sub addressing (on S-loop) | • CLIP |
| | • Germany | • Spain | • ETSI Call Diversion (partial rerouting) | • COLP |
| | • Global | • Sweden | | • CLIR |
| | • Holland | • Switzerland | | |
| | | • United Kingdom | | |
| • HKTA2015 | • Hong Kong | • Taiwan | • Basic Call | • COLP |
| | | | • DDI | • CLIR |
| | | | • CLIP | |

Analog and digital trunk types

The table [Analog and digital trunk types and descriptions](#) on page 288 describes the types of analog and digital trunks.

Some of these trunk types are available only when you select specific market profiles.

Table 81 Analog and digital trunk types and descriptions (Sheet 1 of 2)

| Trunk Types | Description |
|--------------------------------|-----------------------------------------------------------------------------------------------------------------------------------------------------------------------------------------------------------------------------------------------------------------------------------------------------------------------------------------------------------------------------------------------------------------------------------------------------------------------------------------------------------------------------------------------------------------------------------------------------------------------------------------------------------------------------------------------------------------------------------------------------------------------------------------------------------------------------------------------------------------------------------------------------------------------------------------------------------------------------------------------------------------------------|
| Digital Carrier Types: | |
| T1/E1 | Digital line that carries data on 24 channels at 1.544 Mbps (North American); 30 channels at 2048 Mbps (Europe) Loop, E&M, DID and ground start lines are also versions of T1 lines. You can program autoanswer T1 loop start, T1 E&M trunks, T1 DID, T1 ground start trunks, PRI and IP trunks to map to target lines to provide for attendant bypass (calling directly to a department or individual) and line concentration (one trunk can map onto several target lines). |
| T1 Digital Trunk Types: | |
| DID | This is a type of T1 trunk line used by an outside caller to dial directly into a line on the BCM50. |
| Loop | This is a type of T1 line. Use this type of line on systems where the service provider supports disconnect supervision for the digital loop start trunks. These trunks provide remote access to the Business Communications Manager from the public network. This trunk must have disconnect supervision so you can set the trunk to autoanswer, which provides the remote access portal. |
| Ground | T1-groundstart trunk These lines offer the same features as loop start trunks, but use these lines when the local service provider does not support disconnect supervision for digital loop start trunks. Ground start trunks work with T1 only. By configuring lines as ground start, the system recognizes when a call is released at the far end. |
| E&M | T1 and E&M. Use this type of trunk line to create simple network connections to other phone systems. This trunk always operates in a disconnected supervised mode. |
| PRI | ISDN interface with 23 B channels and 1 D channel at 1.544 Mbps. These lines give you incoming and outgoing access to an ISDN network and are autoanswer trunks. |
| E1 Digital Trunk Types: | |
| DASS2 | (British) Trunk provides multiline IDA interconnection to the British Telecom network. |
| DPNSS | You can use a digital private network signaling system to tie together phone systems from various manufacturers over E1 lines, offering significant enhancements to BCM50 networking capabilities. DPNSS makes it easy to support centralized network functionality within private networks for operators and attendants dealing with large numbers of calls. The routing capabilities provide more larger-network capabilities without the expense of installing a new system, reconfiguring all the nodes or incurring extensive downtime. Most functionality over DPNSS lines is transparent after you program the DPNSS into the system. DPNSS uses a local node, acting as a terminating node, to communicate with other PBXs over the network using E1 lines. For example, you can link corporate offices separated geographically over DPNSS lines to other BCM50 systems, bypassing the restrictions of the PSTNs to which they are connected. BCM50 systems can function like a private network using DPNSS. |
| R2MFC | Provides MFC-R2 (Multi-Frequency Compelled R2) signaling over an E1 trunk. |
| PRI | ISDN interface with 30 B channels and 1 D channel at 1.544 Mbps. These lines give you incoming and outgoing access to an ISDN network and are autoanswer trunks. |
| Other Trunk Types: | |
| BRI | The BRI loop supports both trunk (T-loop) and terminal equipment (S-loop) configurations. BRI provides two bearer B-channels operating at 64 kbits/s and a data D-channel that operates at 16 kbits/s. BRI uses the D-channel to carry call information. When configured as a trunk (T-loop), the BRI loop supports the following protocol variants: NI-2: Connects to the network's S-reference point and uses regular line pools. These trunks can be manual answer or auto-answer. ETSI Euro: There are two types of connections: The S-T type connects to the network's S reference point and uses regular line pools. These trunks can be manual answer or auto-answer. The T-T type connects to the network's T reference point and uses the Bloc pool type. These trunks are auto-answer. ETSI QSIG: Connects to the network's T reference point and uses the Bloc pool type. These trunks are auto-answer. |

Table 81 Analog and digital trunk types and descriptions (Sheet 2 of 2)

| Trunk Types | Description |
|----------------------------|-----------------------------------------------------------------------------------------------------------------------------------------------------------------|
| IP | Provides H.323 and SIP trunking between BCM and PBX nodes. |
| Analog Trunk Types: | |
| Loop start | Standard PSTN telephone line. |
| ADID | An analog trunk that allows an outside caller to dial directly into a line on the BCM system. This type of trunk provides one way (incoming only) call service. |

Index

Numerics

4x16

- default DNs 232
- default line numbers 232
- hardware description 48, 49
- wiring chart 231, 235

A

accessories

- ATA2 121

ADID

- description 47
- setting dip switches 99

ADID4

- default line numbers 225
- wiring chart 225

ADID8

- wiring chart 225

American Society of Composers, Authors and Publishers, Music on Hold licence 24

amphenol connector 48, 49

analog equipment, ATA2 121

analog port termination 127

analog station media bay module, ASM 8 49

analog station modules 48

analog telephone

- ASM 8 and ASM 8+ modules 49

analog terminal adapter 2, see ATA2

ASM

- default DN 243
- hardware description 49
- wiring chart 243

ATA2

- data communication 124
- data transmission requirements 124
- insertion loss measurement 126
- installing 121
- maximum loss 126
- mounting on wall 125
- overview
- power source 125
- troubleshooting 170

auxiliary ringer

- wiring 210

B

BCM50

- ASM (analog station module) 49
- DSM 16 and DSM 32 (digital station module) 48
- DTM (digital trunk module) 45
- field replaceable units 59
- installation prerequisites 79
- installing 75

BCM50a 64

BCM50e 65

BRI

- line types 287

BRI (onboard)

- default line numbers 214
- LED 67

BRIM

- default line numbers 224
- wiring chart 223

C

caller ID

- internal lines 47, 48

CAP

- SAPS cable 60

configuration 157

- Element Manager 139
- overview 130
- Telset Admin 133

conventions, guide 31

copyright 2

copyright, music source 24

D

data devices, using ATA 2 124

data transmission requirements, ATA2 124

dedicated cable 60

default gateway

- LAN DHCP scope 145

DHCP

- BCM50 main unit 71

DHCP server

- BCM50a, BCM50e 72
- configuration 71

- digital lines, 4x16 47, 48
- digital station media bay module 47
- digital telephone
 - 4x16 module 48, 49
 - DSM 16 and DSM 32 modules 48
 - DTM module 45
- digital trunk module
 - DTM 45
- digitizing analog equipment, ATA2 121
- dip switches 100
- DNs
 - default on 4x16 232
 - default on ASM 243
 - default on DSM16 239
 - default on DSM32 239
 - default on main unit 209
 - default on telephony connector 209
- DSM
 - 4x16 combination module 48, 49
 - hardware overview 48
- DSM16
 - default DNs 239
 - wiring chart 239
- DSM32
 - default DNs 239
 - wiring chart 239
- DTM
 - default line numbers 221
 - description 45
 - wiring chart 221
- E**
- E1, DTM modules 45
- electrical requirements 79
- Element Manager
 - basic parameters 139
- emergency telephone
 - installing 122
- environment
 - standards and specifications 26
- environmental requirements 79
- ETSI specifications 26
- expansion port
 - wiring chart 219
- expansion unit 42
 - installing 97
 - replacing 189
 - wiring chart 219

- external equipment, safety warning 42, 58
- external line isolation units (LIU), MSC jacks 42, 58
- external paging
 - amplifier 58

F

- FCC
 - registration 25
 - RF interference 25

G

- G4x16
 - connecting lines 114
 - setting dip switches 100
 - wiring chart 235
- G4x16, G8x16 49
- G8x16
 - connecting lines 114
 - setting dip switches 100
 - wiring chart 235
- GASM
 - dip switches 100
- GATM
 - default line numbers 235
 - dip switches 101
- GATM4
 - connecting lines 114
 - default line numbers 227
 - wiring chart 227
- GATM8
 - connecting lines 114
 - default line numbers 228
 - wiring chart 227

H

- handset
 - standards and specifications 26
- hard disk
 - replacing 199
- hardware
 - overview 37
- how to get help, support 34

I

- Industry Canada
 - registration 25
- initial installation 157
- insertion loss 127

insertion loss measurement 126

install

- ATA2 121
- emergency telephone 122
- on table or shelf 93

installing

- telephones and peripherals 121

ISDN

- line services, by region 287

J

jack

- external paging 58
- page relay 58

L

LAN

- cabling 161

LAN port

- wiring chart 215

lease time

- LAN DHCP scope 145

LED

- ADSL router 64
- BRI onboard, BCM50b, BCM50ba, BCM50be 67
- BRIM 69
- DTM 68
- ethernet router 65
- expansion unit 67
- LAN ports 63
- MBM 67
- overview 61
- system status 61

licence, music on hold 24

Line numbers

- default on BRI (onboard) 214
- default on BRIM 224

line numbers

- default on 4x16 232
- default on ADID4 225
- default on DTM 221
- default on GATM 235
- default on GATM4 227
- default on GATM8 228
- default on main unit 209
- default on telephony connector 209

line services

- ISDN support, by region 287

lines

BRI and PRI line types 287

M

main unit 37

- BCM50 37
- BCM50a 38
- BCM50b 38
- BCM50ba 38
- BCM50be 38
- BCM50e 38
- default DNs 209
- default line numbers 209
- installing 83
- installing desktop 93
- installing equipment rack 84
- installing wallmount 88
- standard series 37
- wiring chart 215, 217, 219

maximum loss, ATA2 126

MBM 42

- configuring 158
- default DNs 232, 243
- default line numbers 221, 224, 228, 232, 235
- installing 102
- overview 44
- replacing 185
- switches 98
- wiring chart 221, 223, 227, 231, 235, 239, 243

media bay modules

- availability by regions 245

music on hold

- copyright 24

music source

- permission 24
- wiring on telephony connector 210

N

network

- equipment registration 25

networking

- WAN card 59

Nortel distributor 35

North American components 48

O

output jack 58

P

page output

- wiring 210

- page relay
 - wiring 210
- page, external paging amplifier 58
- paging 58
 - external output jack description 58
 - relay jack description 58
- patch panel 87
- peripherals
 - ATA2 121
- power supply
 - replacing 177
- PRI
 - DTM module 45
 - line types 287

R

- radio-frequency interference 25
- regions
 - ISDN line services support 287
 - modules 245
 - system defaults 255
- regulatory information 2
- related publications 33
- relay jack
 - external paging 58
- repair
 - authorization 25
- replacing
 - components 175
 - expansion unit 189
 - hard disk 199
 - MBM 185
 - power supply 177
 - router card 201
- reset
 - factory settings 171
 - level 1 and 2 171
- RF interference 25
- RJ11 jacks 48
- router
 - WAN port wiring chart 217
- router card
 - replacing 201

S

- safety extra low voltage (SELV)
 - external equipment 42, 58
- scope status

- LAN DHCP scope 145
- specifications
 - system standards 26
- startup profile 151
 - basic parameters 151
- station auxiliary power supply, see SAPS
- station media bay module
 - 4x16 combination module 48, 49
 - ASM 8 and ASM 8+ modules 49
 - DSM 16 and DSM 32 48
- support 35
 - express routing code 35
 - how to get help 34
 - Nortel reseller 35
 - Nortel Solutions Center 34
 - Nortel Web site 34
- Switches, setting MBM 98
- symbols 31
- system defaults, by region 255

T

- T1
 - DTM module 45
 - network interface card 59
- telephones
 - ATA2 121
 - emergency 122
- telephony connector
 - default DNs 209
 - default line numbers 209
- Telset Admin
 - basic parameters 133
- termination, analog port 127
- testing
 - expansion unit 168
 - main unit 167
 - MBM 169
- trademarks 2
- trunk modules
 - DTM 45

W

- WAN
 - media services card 59
- WAN cabling 161
- WAN port
 - wiring chart 217
- WINS server

- LAN DHCP scope 145
- wire color 209, 227, 228, 232, 235, 237, 239, 243
- wiring chart
 - 4x16 231, 235
 - ADID4 225
 - ADID8 225
 - ASM 243
 - BRIM 223
 - DSM16 239
 - DSM32 239
 - DTM 221
 - expansion port 219
 - expansion unit 219
 - GATM4 227
 - GATM8 227
 - LAN port 215
 - main unit 217, 219
 - WAN port 217
- wiring field card (WFC) 92
- wiring requirements 80