

MACKENZIE

DVSD-3000

SD Card/USB load
Message-On-Hold System

Key Features:

- Removable SD card, non-volatile memory storage
- USB key can play directly, or transfer data to SD card
- Supports WAV and MP3 files
- High speed USB 2.0 host port
- Adjustable, dual audio output (8 Ohm / 600 Ohm)
- Adjustable tone control
- 15kHz audio bandwidth
- Excellent signal to noise ratio and dynamic range
- Audio message lengths completely dynamic
- Integrated monitor speaker
- Industrial grade all metal construction
- 3-Position flexible mounting scheme
- Backed by 3 year warranty

We all know that Message On Hold reduces hang-ups and give clients a captive audience for marketing. But, if equipment for this purpose is not reliable, flexible and easy to use, its effectiveness will be minimized. The Mackenzie DVSD-3000 is here to address these issues.

Reliability:

The DVSD-3000 is a highly reliable audio playback system specifically designed for Message-On-Hold applications. The steel chassis of the DVSD-3000 protects it from the elements of a traditional phone room. Mackenzie's proven encoding and playback circuitry is flawlessly serving tens of thousands of installations.

Flexibility:

The system can play from an SD Card, or from a USB memory key. The USB memory key can also be used for transferring data to an inserted SD card. The exclusive mounting scheme means that the DVSD-3000 can be installed in any position.

Ease of Use:

The DVSD-3000 accepts SD cards up to 2GB and supports most USB memory keys. Loading the DVSD-3000 is as simple as plugging an audio memory into it. Messages will play automatically.



Memory

High quality playback support of up to 2GB memories

Audio Fidelity

15kHz, Dependant on MP3 bit rate
80dB Signal to Noise ratio

Power:

12VDC, power pack included

Audio Outputs:

RCA, mono, +4db into 600 ohm
RCA, mono, 2.5W @ 8ohm
Monitor speaker

Manual Controls:

Tone control, Output Level,
Speaker Enable

LED Indicators:

Memory Status, Copying,
MOH playing

Package:

6.4" W x 4.6" D x 1.1" H
Painted steel chassis

Specifications are subject to change without notice.

Making A Difference, One At A Time

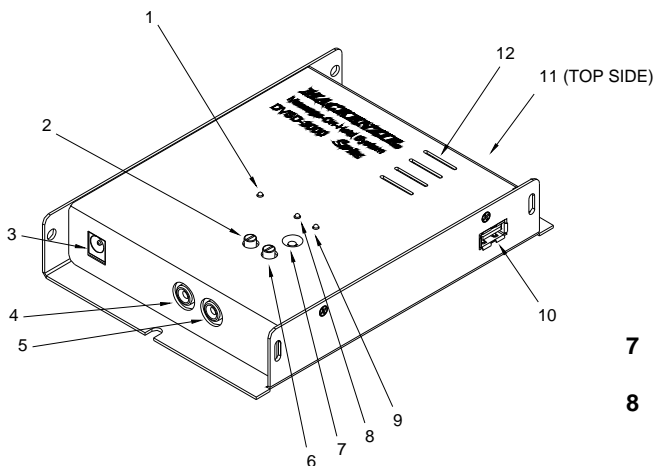
MACKENZIE

DVSD-3000

SD Card/USB load Message-On-Hold System

Model DVSD-3000
MESSAGE-ON-HOLD SYSTEM

- 1 MEMORY OK LED (GREEN):**
LED is ON if either an SD Card or a USB memory key with valid audio messages is detected by the system. Blinks if no files are detected.
- 2 TONE ADJUST KNOB:**
Adjusts the Bass & Treble amount to deliver the best overall system performance.
- 3 POWER JACK:**
Insert supplied power adapter.
- 4 LINE OUTPUT:**
Audio output level of up to +4dB into 600 Ω , this is a standard level for most applications.
- 5 SPEAKER OUTPUT:**
Audio output level of up to 2.5W into 8 Ohm. Use this output if more drive is needed to reach a more comfortable listening level.
- 6 AUDIO OUTPUT LEVEL KNOB:**
Adjusts the volume to the both line level and speaker audio outputs.



COPYRIGHT POLICY

Recording, downloading or playing of copyrighted material such as sound effects, narration or music is unlawful unless permitted by a legal exception or consented to by the rights owner. Recording and download equipment should only be used with material that you have the legal right to copy and you are responsible for obtaining these rights. Mackenzie Laboratories, Inc. has no right to grant such permission.

- 7 SPEAKER PUSHBUTTON:**
Turns local Monitor speaker ON/OFF.
- 8 COPYING LED (RED):**
Used to display recording mode. Red light ON, indicates message (s) is being copied from USB memory key to SD Card.
- 9 PLAYING LED (GREEN):**
This green LED is ON when the system is playing Pre-Recorded messages.
- 10 USB MEMORY KEY CONNECTOR:**
Audio files can be played directly from a USB memory key, or the files on it can be copied to an SD card, if one is present.
- 11 SD CARD CONNECTOR:**
Audio files be played directly from an SD card
- 12 MONITOR SPEAKER:**
Allows user to preview message play back.

THE MACKENZIE DYNAVOX DVSD-3000 Quickey

03 Mar 2008, Version 1.0
Mackenzie Laboratories, Inc.
1163 Nicole CT, Glendora, CA 91740 USA
TEL (909) 394-9007 FAX (909)394-9411
www.macklabs.com



Specifications are subject to change without notice.

MACKENZIE LABORATORIES, INC.
1163 Nicole Court
Glendora, CA 91740 ■ USA

Tel: (909) 394-9007 ■ Fax: (909) 394-9411
Web: www.macklabs.com
Email: info@macklabs.com