

**Problems****Possible Cause / Solution**

Player not working or stopped working

- Unplug the power connector wait 30 seconds then plug it back in. make sure the connector is plugged in securely. Be sure to observe the LED GREEN light turns ON.
- Check audio cord; try re-inserting it again, adjust the volume on unit clockwise,

Cannot start the recording

- Make sure you can hear the audio from your speakers . this device needs to hear the audio to start recording. Adjust the volume on your PC or CD player if you need. If CD player use the Headphone jack not "line out". Make sure the connecting cord is plugged in. Make sure Green LED starts blinking to indicate it is connected and ready to record.

Audio quality is poor

- Verify that the audio cord is plugged in securely, Make sure the audio volume on your PC is not too loud, for best results keep the volume levels to about 75% - this device works fine at any audio level from 25% to 100%

**Warranty**

This product is warranted against defects for a period of Three (3) years from the date of original invoice. We will repair/replace the product with no charge for parts or labor within this time. To obtain warranty service the product needs to be returned freight prepaid by the customer with a copy of original invoice. This warranty does not apply if in the sole opinion of Innovative Telecommunication Technology, the product has been tampered with or damaged by lightning or any other acts of nature, misuse, neglect or unauthorized service.

EXCEPT AS SPECIFICALLY PROVIDED IN THIS AGREEMENT, THERE ARE NO OTHER WARRANTIES, EXPRESSED OR OTHERWISE, INCLUDING, BUT NOT LIMITED TO ANY IMPLIED WARRANTIES OR MERCHANTABILITY OR FITNESS FOR A SPECIAL PURPOSE. IN NO EVENT SHALL INNOVATIVE TELECOMMUNICATION TECHNOLOGY (INVOTEL) BE LIABLE FOR LOSS OF PROFITS OR BENEFITS, INDIRECT, SPECIAL, CONSEQUENTIAL OR OTHERWISE ARISING FROM ANY BREACH OF THIS WARRANTY OR OTHERWISE.

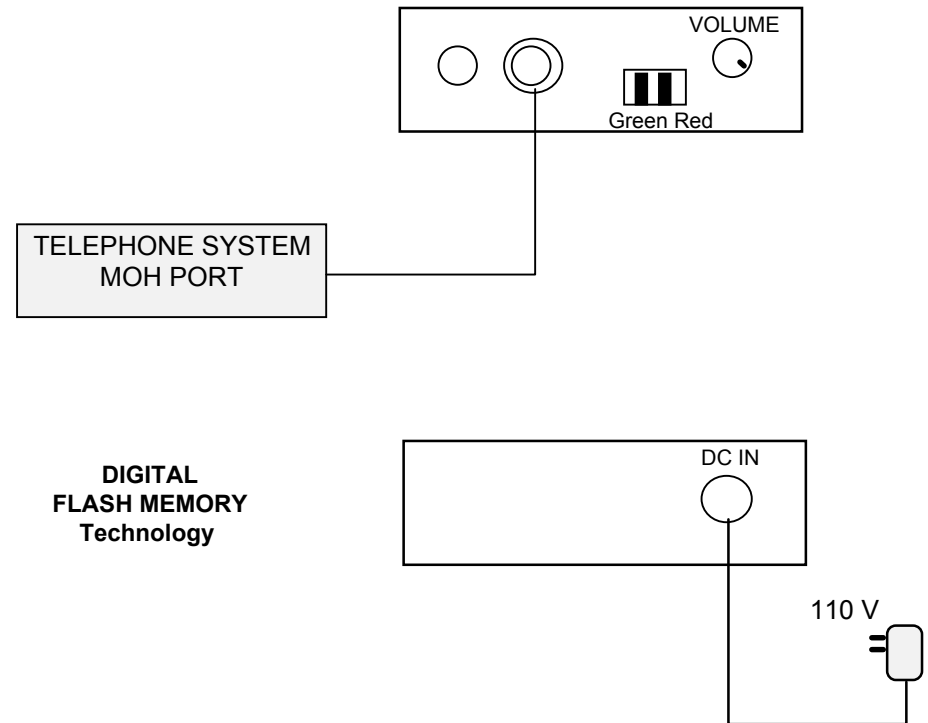
**invotel**<sup>®</sup>

1112 Montana Ave Suite 250 Santa Monica, CA 90403 USA  
Toll-Free: 800-747-0708 Tel: 310-899-0078 Fax: 310-899-0227 <http://www.invotel.com>



**User Manual**  
**Invotel SX9700** Rev 01  
**Digital Audio System Player/Recorder**

- Plug the included AC adapter. (110V AC to 6-12VDC)
- LED Green light turns ON to indicate device is playing back.
- Adjust Volume level clockwise as shown to desired level



## Package Content:

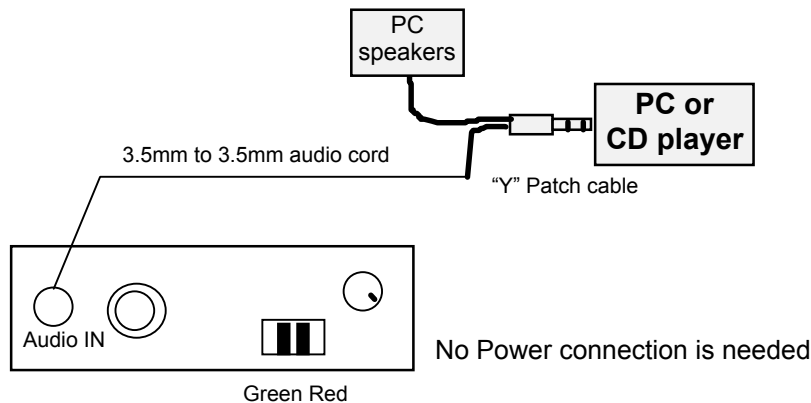
SX9700 Digital Player/Recorder unit  
Power adapter 110v AC to 6-12V DC 100-600 ma  
3.5mm male to 3.5mm male audio cord (for recording)  
"Y" patch audio cord 6" long  
RCA male to RCA male audio cord to connect to MOH port  
User's Manual

## Recording:

The SX9700 utilizes automatic "audio-active"™ recording. Just connect the SX9700 itself (no ac power adapter needed) to any audio source (PC, CD player, etc.) through the 3.5 mm recording cord and play the audio, the RED Led light turns ON solid to indicate it is recording, wait until the RED Led light turns OFF before removing the recording cord.

(it takes about 15 seconds after audio has stopped till RED turns OFF)

Connect your PC speaker out jack to "Y" patch cable, then connect your speakers(if any) to one port of "y" audio patch cord and the SX9700 "Audio IN" jack to the other port of "y" patch cable using the provided audio cord:



*Unlike other Flash memory based products that compress the audio, voice and audio signals are recorded directly into solid state memory in the SX9700 in their natural, un-compressed form, providing superior quality voice and music reproduction. SX9700 has 100 -year retention time at zero power and can be re-recorded 100,000 times.*

## Specifications:

**File Formats** supports any sound file format and any PC such as Windows .wav, MP3, WMA, MAC, etc.

**Frequency response** 20Hz to 20 KHz.

**Sampling rate** 8-bit/16-bit uncompressed PCM @ 8, 11, 12, 16, 22, 24, 32, 44 & 48 KHz (direct internal A to D 16 bit 8KHZ)

**Distortion** less than 0.1% THD

**Audio Quality** supports better than CD Quality at 188 KB/s

**Special effects:** supports Windows Media Files and SRS WOW Effects

**Memory Capacity** (8 minutes 30 seconds) @ full 188 KB/s sample

**Memory Type** Multi-level Flash, 100 years retention time at no power, 100K re-recordable

**Message loading:** Audio feed

**Recording:** Automatic audio active

**Power supply:** 110VAC 60 Hz. To 6-12 V DC 100-600ma

**Internal Power:** DC 6V battery during recording, retains charge for up to 3 years. Recharges with AC adapter in 12 hrs.

**Size:** 3 x 2" x 1" (L x W x H)

**Color:** Bone

**Weight:** 0.2 pounds (1/2 pounds with power supply)